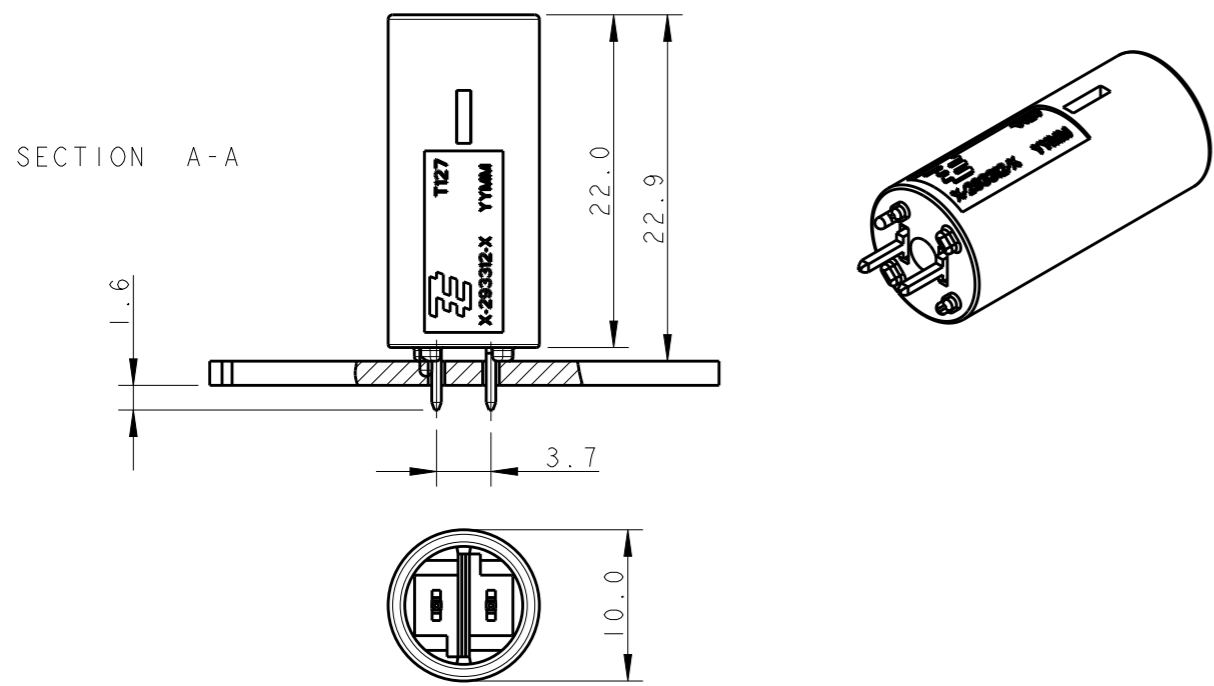


THIS DRAWING IS UNPUBLISHED. RELEASED FOR PUBLICATION 20  
© COPYRIGHT 20 BY - ALL RIGHTS RESERVED.

LOC	DIST	REVISIONS			
P	LTR	DESCRIPTION	DATE	DWN	APVD
	G	UPDATED HV-4 POLARIZATION KEY	21AUG2009	AV	GT
	G1	ADDED COMPONENT PART NUMBERS	10NOV2009	AV	GT
	G2	REVISED PER ECR-13-009678	18SEP2013	RS	DD
	G3	ECR-16-004670	04APR2016	RS	JL

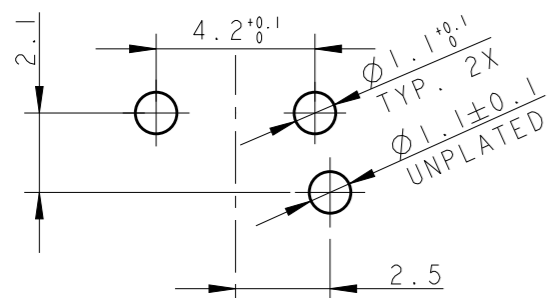
### TYPICAL APPLICATION



△ OBSOLETE.

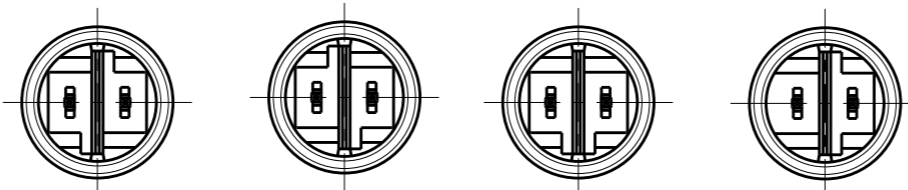
### PRINTED CIRCUIT BOARD LAYOUT FOR LOW VOLTAGE VERSION

TOLERANCES UNLESS OTHERWISE SPECIFIED ± 0.05  
PRINTED CIRCUIT BOARD THICKNESS: 1.6 mm NOMINAL



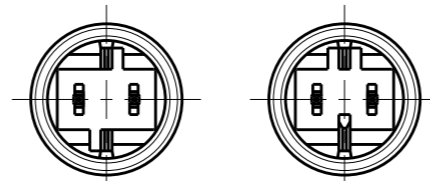
### HIGH VOLTAGE

KEYING HV-1 KEYING HV-2 KEYING HV-3 KEYING HV-4



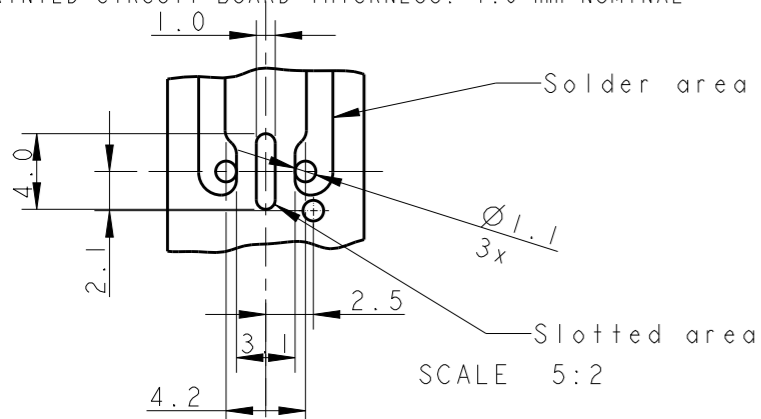
### LOW VOLTAGE

KEYING LV-1 KEYING LV-2



### PRINTED CIRCUIT BOARD LAYOUT FOR HIGH VOLTAGE VERSION

TOLERANCES UNLESS OTHERWISE SPECIFIED ± 0.05  
PRINTED CIRCUIT BOARD THICKNESS: 1.6 mm NOMINAL



KEYING	REMARKS	PART NUMBER	CTC. FINISH SURFACE	COLOR
△ HV-4	HIGH-VOLT 250 V AC	1-293313-2	GOLD	BLACK
△ HV-4	HIGH-VOLT 250 V AC	1-293313-1	GOLD	WHITE
HV-1	HIGH-VOLT 250 V AC	1-293313-0	GOLD	BLACK
HV-1	HIGH-VOLT 250 V AC	293313-9	GOLD	WHITE
△ HV-2	SWITCH-KEYING	293313-8	TIN	RED
△ HV-4	HIGH-VOLT 250 V AC	293313-7	TIN	BLACK
△ HV-4	HIGH-VOLT 250 V AC	293313-6	TIN	WHITE
LV-2	LOW-VOLT 42 V DC	293313-5	TIN	YELLOW
△ LV-1	LOW-VOLT 42 V AC	293313-4	TIN	LIGHT GREY
△ HV-3	HIGH-VOLT 125 V AC	293313-3	TIN	BLUE
HV-1	HIGH-VOLT 250 V AC	293313-2	TIN	BLACK
HV-1	HIGH-VOLT 250 V AC	293313-1	TIN	WHITE

THIS DRAWING IS A CONTROLLED DOCUMENT.

DIMENSIONS:	TOLERANCES UNLESS OTHERWISE SPECIFIED:
mm	
	0 PLC ±-
	1 PLC ±0.3
	2 PLC ±0.1
	3 PLC ±-
	4 PLC ±-
	ANGLES ±0.5°
MATERIAL	FINISH

DWN	R. FRABONI	21 JUN 2007
CHK	J. SALO	11 FEB 2008
APVD	L. BATTLO	11 FEB 2008
PRODUCT SPEC	108-94018	
APPLICATION SPEC	114-32102	
WEIGHT	-	
CUSTOMER DRAWING		

**STE** TE Connectivity

NAME: 7.5 mm PCB CONNECTOR ASSEMBLY STRAIGHT MALE VERSION

SIZE	CAGE CODE	DRAWING NO	RESTRICTED TO
A300779	C-293313		

SCALE: 5:1 SHEET 1 OF 1 REV G3