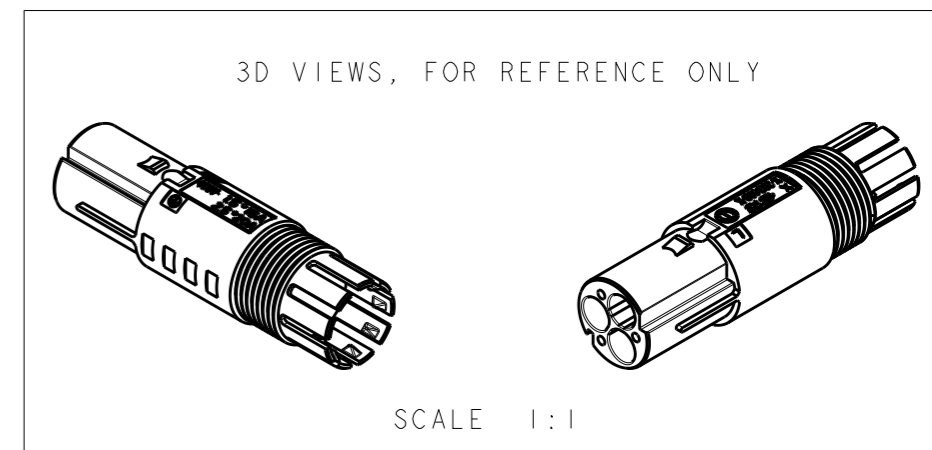
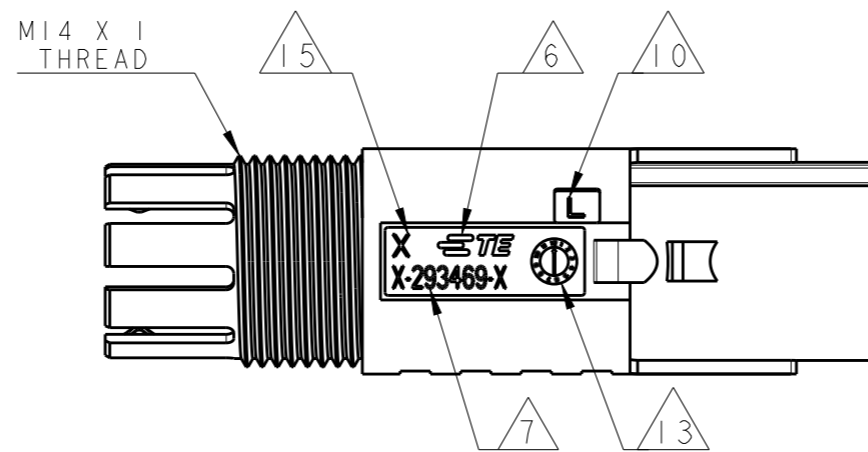
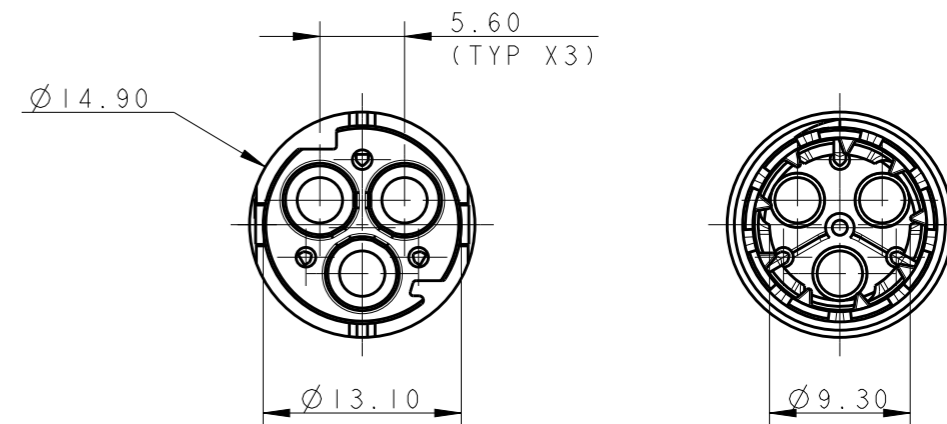
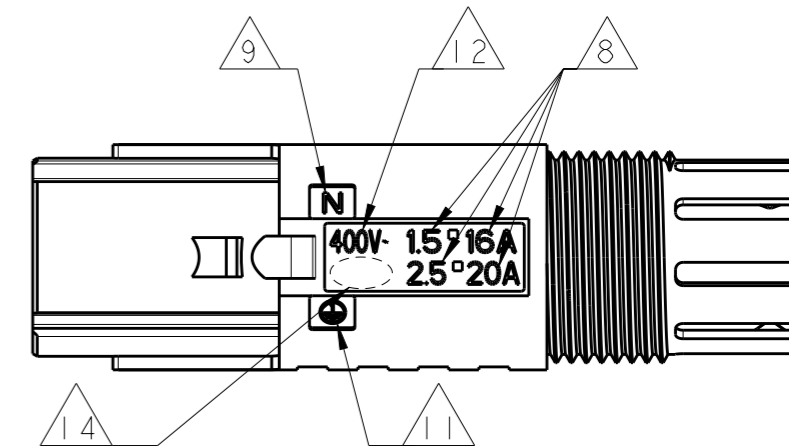
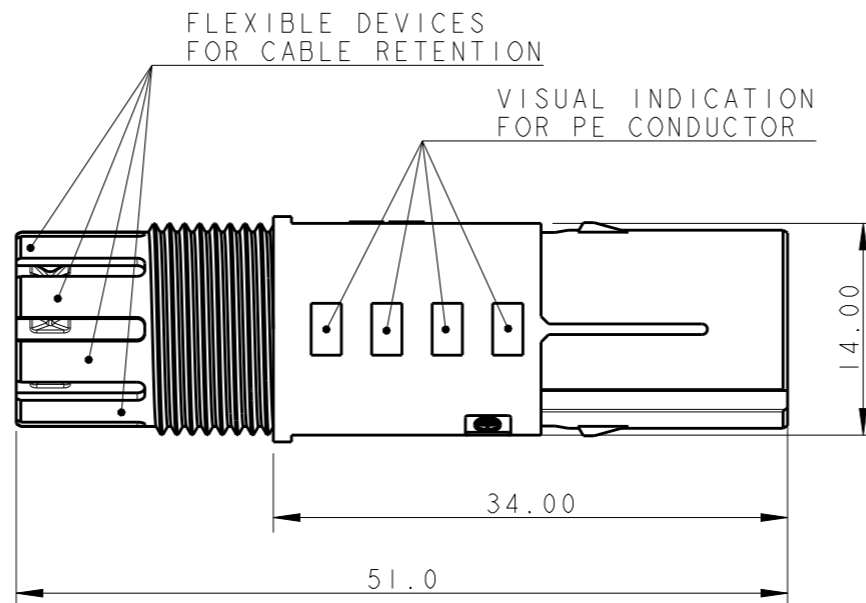


THIS DRAWING IS UNPUBLISHED. RELEASED FOR PUBLICATION 2010  
 © COPYRIGHT 2010 Tyco Electronics AMP GmbH ALL RIGHTS RESERVED.


| LOC | DIST | REVISIONS                                      |           |     |      |
|-----|------|--|-----------|-----|------|
| P   | LTR  | DESCRIPTION                                    | DATE      | DWN | APVD |
|     | G1   | REVISED MARKINGS                               | 05NOV2012 | MZ  | JC   |
|     | G2   | PARTS -2, -3, 1-2, 1-3 RELEASED FOR PRODUCTION | 26JUN2013 | KR  | JC   |
|     | G3   | REVISED PART NUMBERS                           | 21JUL2017 | SK  | ZM   |
|     | G4   | REVISED PER ECR-18-006945                      | 20SEP2018 | SR  | MZ   |

NOTES:

- 1) MATERIAL: POLYAMIDE GLASS FILLED  
COLOUR NATURAL
- 2) MATERIAL: POLYAMIDE GLASS FILLED  
COLOUR BLACK
- 3) NET WEIGHT: ~4.8 g
- 4) VOLUME: ~3450 mm<sup>3</sup>
- 5) PACKAGING: SEE TE PACKAGING SPECIFICATION  
107-20294
- 6) TE LOGO
- 7) TE PART NUMBER
- 8) CONDUCTOR SIZE AND CURRENT RATING
- 9) N CODE
- 10) L CODE
- 11) PE CODE
- 12) RATED VOLTAGE
- 13) DATE CODE
- 14) AREA FOR AGENCY APPROVAL LOGO
- 15) CAVITY MOULD ID
- 16) PART NOT YET TOOLED AND RELEASED  
FOR PRODUCTION



17) FOR CABLE TYPE AND CABLE RANGE REFER TO CUSTOMER DRAWING 293607

|  |  |                            |   |                 |                     |                 |
|--|--|----------------------------|---|-----------------|---------------------|-----------------|
| THIS DRAWING IS A CONTROLLED DOCUMENT. |  | DWN M. ZUCCA 06OCT2009     |  TE Connectivity |                 |                     |                 |
| DIMENSIONS: mm                         |  | CHK M. ZUCCA 06OCT2009     |   |                 |                     |                 |
| TOLERANCES UNLESS OTHERWISE SPECIFIED: |  | APVD G. TURCO 06OCT2009    | NAME PIN HOUSING FREE HANGING<br>NECTOR* M-LINE<br>3 POSITIONS UNSEALED VERSION                       |                 |                     |                 |
| 0 PLC ±0.3                             |  | PRODUCT SPEC 108-20304     | SIZE A3   | CAGE CODE 00779 | DRAWING NO C-293469 | RESTRICTED TO - |
| 1 PLC ±0.20                            |  | APPLICATION SPEC 114-20152 | SCALE 2:1 SHEET 1 OF 2 REV G4   |                 |                     |                 |
| 2 PLC ±0.20                            |  | WEIGHT NOTE 3              |   |                 |                     |                 |
| 3 PLC ±0.20                            |  | Customer Drawing           |   |                 |                     |                 |
| 4 PLC ±0.20                            |  |                            |   |                 |                     |                 |
| ANGLES ±3°                             |  |                            |   |                 |                     |                 |
| FINISH -                               |  |                            |   |                 |                     |                 |
| MATERIAL SEE NOTES                     |  |                            |   |                 |                     |                 |

THIS DRAWING IS UNPUBLISHED.

RELEASED FOR PUBLICATION

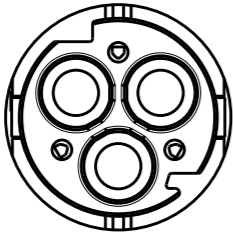
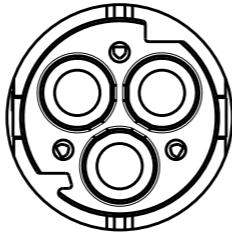
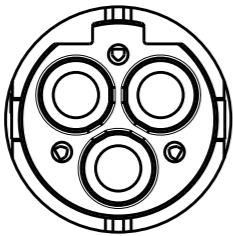
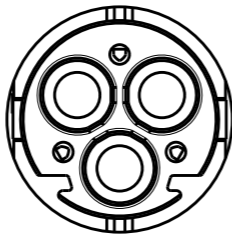
2010

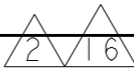







© COPYRIGHT 2010


Tyco Electronics AMP GmbH

ALL RIGHTS RESERVED.

| LOC | DIST | REVISIONS |     |             |      |     |      |
|-----|------|-----------|-----|-------------|------|-----|------|
|     |      | P         | LTR | DESCRIPTION | DATE | DWN | APVD |
| 1   | -    |           | -   | SEE SHEET 1 | -    | -   | -    |

| POLARIZATION TYPES  |   |
|---|---|
| TYPE "A"  | TYPE "B"  |
|    |    |
| P/Ns: 0-293469-1,<br>1-293469-1   | P/Ns: 0-293469-2,<br>1-293469-2   |
| TYPE "C"  | TYPE "D"  |
|  |  |
| P/Ns: 0-293469-3,<br>1-293469-3   | P/Ns: <del>0-293469-4,</del><br><del>1-293469-4</del>                                 |

| TABLE 1  |   |             |         |   |      |                       |
|----------|---|-------------|---------|---|------|-----------------------|
|          |   |             |         |   |      |                       |
| OBSOLETE |    | D           | BLACK   | PIN HOUSING FREE HANGING VERSION NECTOR* M-LINE | F    | <del>1-293469-4</del> |
|          |   | C           | BLACK   | PIN HOUSING FREE HANGING VERSION NECTOR* M-LINE | G    | 1-293469-3            |
|          |  | B           | BLACK   | PIN HOUSING FREE HANGING VERSION NECTOR* M-LINE | G    | 1-293469-2            |
|          |  | A           | BLACK   | PIN HOUSING FREE HANGING VERSION NECTOR* M-LINE | G    | 1-293469-1            |
| OBSOLETE |  | D           | NATURAL | PIN HOUSING FREE HANGING VERSION NECTOR* M-LINE | F    | <del>0-293469-4</del> |
|          |  | C           | NATURAL | PIN HOUSING FREE HANGING VERSION NECTOR* M-LINE | G    | 0-293469-3            |
|          |  | B           | NATURAL | PIN HOUSING FREE HANGING VERSION NECTOR* M-LINE | G    | 0-293469-2            |
|          |  | A           | NATURAL | PIN HOUSING FREE HANGING VERSION NECTOR* M-LINE | G    | 0-293469-1            |
|          | NOTE  | POL. KEYING | COLOUR  | DESCRIPTION                                     | REV. | PART NUMBER           |

|  |  |                               |   |                    |
|--|--|-------------------------------|---|--------------------|
| THIS DRAWING IS A CONTROLLED DOCUMENT.                                   |  | DWN<br>M. ZUCCA<br>06OCT2009  |  TE Connectivity |                    |
| DIMENSIONS:<br>mm  |  | CHK<br>M. ZUCCA<br>06OCT2009  |   |                    |
| TOLERANCES UNLESS OTHERWISE SPECIFIED:                                   |  | APVD<br>G. TURCO<br>06OCT2009 | NAME<br>PIN HOUSING FREE HANGING NECTOR* M-LINE 3 POSITIONS UNSEALED VERSION                          |                    |
| 0 PLC ±<br>1 PLC ±0.3<br>2 PLC ±0.20<br>3 PLC ±<br>4 PLC ±<br>ANGLES ±3° |  | PRODUCT SPEC<br>108-20304     | APPLICATION SPEC<br>114-20152   |                    |
| MATERIAL SEE NOTES   |  | WEIGHT<br>NOTE 3              | SIZE<br>A3  | CAGE CODE<br>00779 |
|  |  | FINISH<br>-                   | DRAWING NO<br>G-293469  | RESTRICTED TO<br>- |
|  |  | Customer Drawing              | SCALE 2:1   | SHEET 2 OF 2       |
|  |  |                               |   | REV G4             |