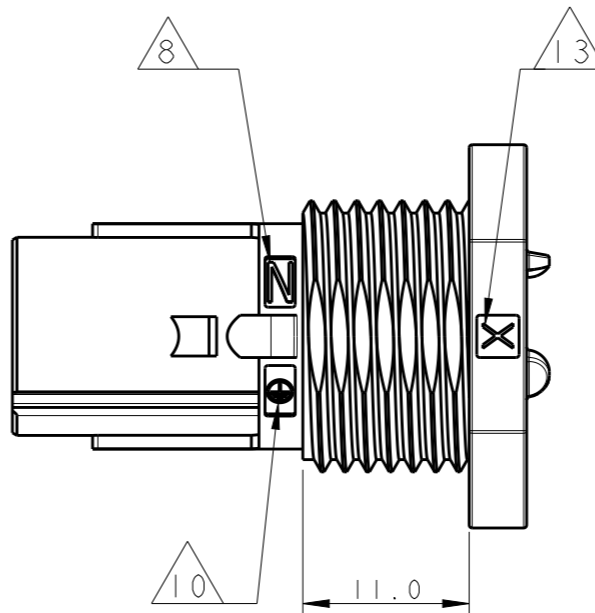
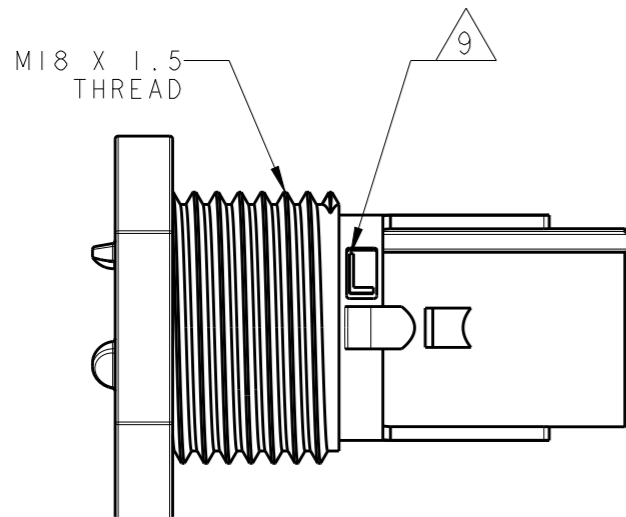
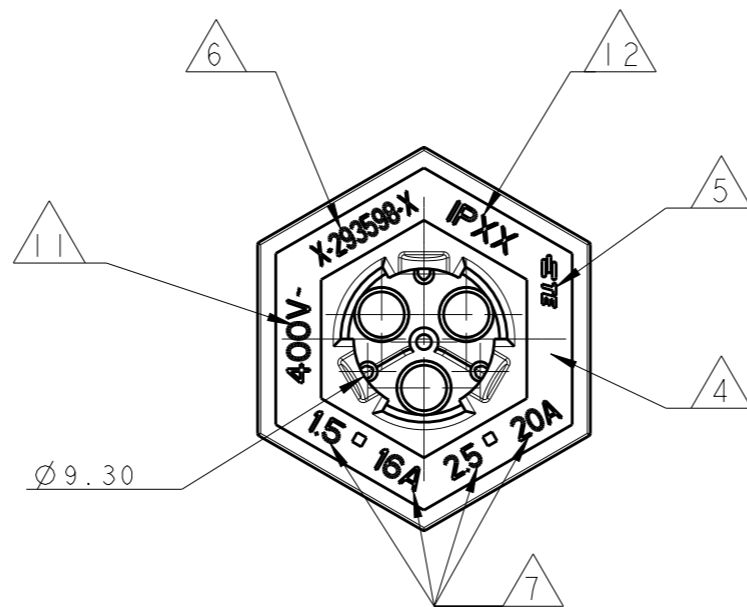
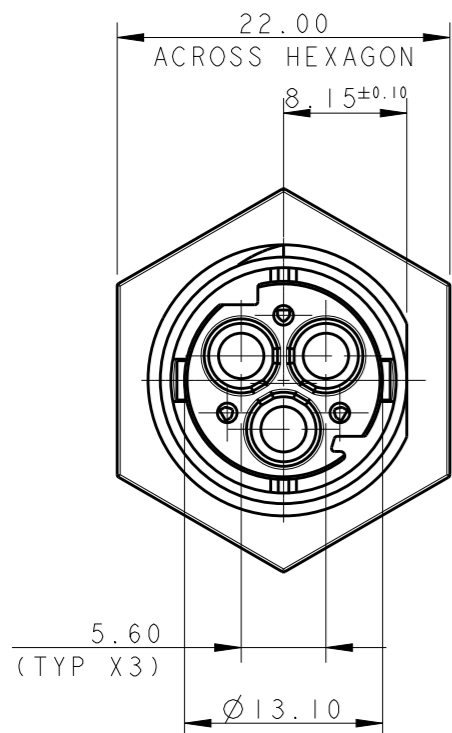


THIS DRAWING IS UNPUBLISHED. RELEASED FOR PUBLICATION 2011  
 © COPYRIGHT 2011 BY - ALL RIGHTS RESERVED.

LOC	DIST	REVISIONS					
		P	LTR	DESCRIPTION	DATE	DWN	APVD
1	-		E1	REVISED MARKINGS	06NOV2012	MZ	JC
			F	PARTS -2, -3, 1-2, 1-3 RELEASED FOR PRODUCTION	26JUN2013	KR	JC
			G	REVISED PART NUMBERS AND ALIGNED REVISIONS	17JUL2017	SK	MZ
			G1	REVISED PER ECR-18-006945	20SEP2018	SR	MZ




- NOTES:
- 1 MATERIAL: POLYAMIDE GLASS FILLED COLOUR NATURAL
  - 2 MATERIAL: POLYAMIDE GLASS FILLED COLOUR BLACK
  - 3 PACKAGING: SEE TE PACKAGING SPECIFICATION 107-20294
  - 4 AREA FOR AGENCY APPROVAL LOGO
  - 5 TE LOGO
  - 6 TE PART NUMBER
  - 7 CONDUCTOR SIZE AND CURRENT RATING
  - 8 N CODE
  - 9 L CODE
  - 10 PE CODE
  - 11 RATED VOLTAGE
  - 12 IP CODE
  - 13 CAVITY MOULD CODE

3D VIEWS, FOR REFERENCE ONLY



SCALE 1:1

THIS DRAWING IS A CONTROLLED DOCUMENT.		DWN M. ZUCCA 29OCT2009	 TE Connectivity	
DIMENSIONS: mm		CHK M. ZUCCA 29OCT2009		
TOLERANCES UNLESS OTHERWISE SPECIFIED:		APVD G. TURCO 29OCT2009	NAME	
0 PLC ±-		PRODUCT SPEC 108-20304	PIN HOUSING	
1 PLC ±0.3		APPLICATION SPEC 114-20452	PANEL MOUNT VERSION	
2 PLC ±0.20		WEIGHT ~6.2 g	SIZE A3	RESTRICTED TO -
3 PLC ±-		Customer Drawing	CAGE CODE 00779	
4 PLC ±-			DRAWING NO. C-293598	
ANGLES ±3°			SCALE 2:1	SHEET 1 OF 4
FINISH -			REV G1	

THIS DRAWING IS UNPUBLISHED.

RELEASED FOR PUBLICATION

2011

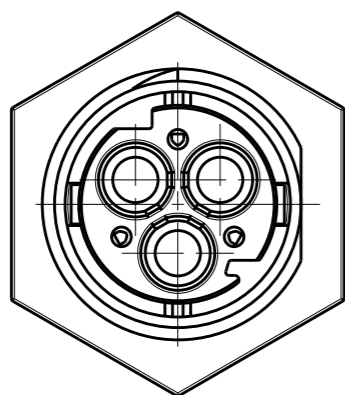
© COPYRIGHT 2011 BY -

ALL RIGHTS RESERVED.

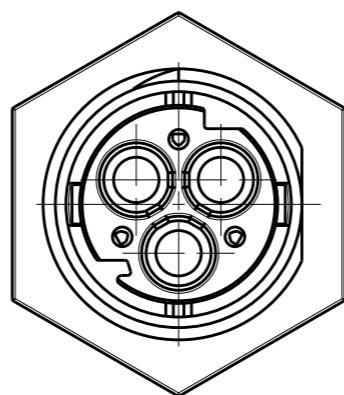
LOC	DIST	REVISIONS			
P	LTR	DESCRIPTION	DATE	DWN	APVD
		SEE SHEET 1	-	-	-

### PLARIZATION KEYS

#### TYPE "A"



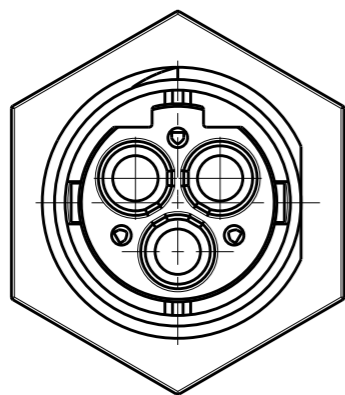
#### TYPE "B"



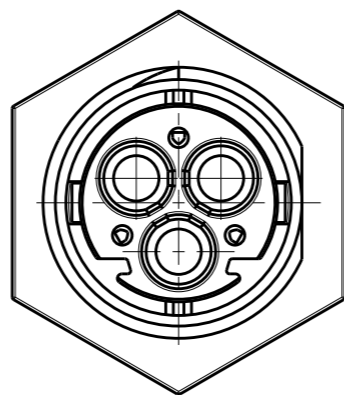
P/Ns: 0-293598-1,  
1-293598-1, ~~2-293598-1~~

P/Ns: 0-293598-2,  
1-293598-2, ~~2-293598-2~~

#### TYPE "C"



#### TYPE "D"



P/Ns: 0-293598-3,  
1-293598-3, ~~2-293598-3~~

P/Ns: ~~0-293598-4,~~  
~~1-293598-4, 2-293598-4~~

OBSOLETE	67	D	BLACK	△ <sub>2</sub>	PIN HSG PANEL MOUNT VERS. NECTOR* M-LINE	A	2-293598-4
	67	C	BLACK	△ <sub>2</sub>	PIN HSG PANEL MOUNT VERS. NECTOR* M-LINE	D	2-293598-3
	67	B	BLACK	△ <sub>2</sub>	PIN HSG PANEL MOUNT VERS. NECTOR* M-LINE	D	2-293598-2
	67	A	BLACK	△ <sub>2</sub>	PIN HSG PANEL MOUNT VERS. NECTOR* M-LINE	D	2-293598-1
	40	D	BLACK	△ <sub>2</sub>	PIN HSG PANEL MOUNT VERS. NECTOR* M-LINE	G	1-293598-4
OBSOLETE	40	C	BLACK	△ <sub>2</sub>	PIN HSG PANEL MOUNT VERS. NECTOR* M-LINE	G	1-293598-3
	40	B	BLACK	△ <sub>2</sub>	PIN HSG PANEL MOUNT VERS. NECTOR* M-LINE	G	1-293598-2
	40	A	BLACK	△ <sub>2</sub>	PIN HSG PANEL MOUNT VERS. NECTOR* M-LINE	G	1-293598-1
	40	D	NATURAL	△ <sub>1</sub>	PIN HSG PANEL MOUNT VERS. NECTOR* M-LINE	G	0-293598-4
OBSOLETE	40	C	NATURAL	△ <sub>1</sub>	PIN HSG PANEL MOUNT VERS. NECTOR* M-LINE	G	0-293598-3
	40	B	NATURAL	△ <sub>1</sub>	PIN HSG PANEL MOUNT VERS. NECTOR* M-LINE	G	0-293598-2
	40	A	NATURAL	△ <sub>1</sub>	PIN HSG PANEL MOUNT VERS. NECTOR* M-LINE	G	0-293598-1
		IP DEGREE CODE	POL. KEYING	COLOUR	MATERIAL	DESCRIPTION	REV.

THIS DRAWING IS A CONTROLLED DOCUMENT.

DWN M. ZUCCA 29OCT2009  
 CHK M. ZUCCA 29OCT2009  
 APVD G. TURCO 29OCT2009

**STE** TE Connectivity

NAME: PIN HOUSING PANEL MOUNT VERSION NECTOR\* M-LINE

PRODUCT SPEC: 108-20304  
 APPLICATION SPEC: 114-20452

SIZE: A3 CAGE CODE: 00779 DRAWING NO: 293598 RESTRICTED TO: -

WEIGHT: ~6.2 g

Customer Drawing SCALE: 2:1 SHEET: 2 OF 4 REV: G1

DIMENSIONS:	TOLERANCES UNLESS OTHERWISE SPECIFIED:
mm	
	0 PLC ±0.3
	1 PLC ±0.20
	2 PLC ±
	3 PLC ±
	4 PLC ±
	ANGLES ±3°
MATERIAL	FINISH -

SEE NOTES

THIS DRAWING IS UNPUBLISHED.

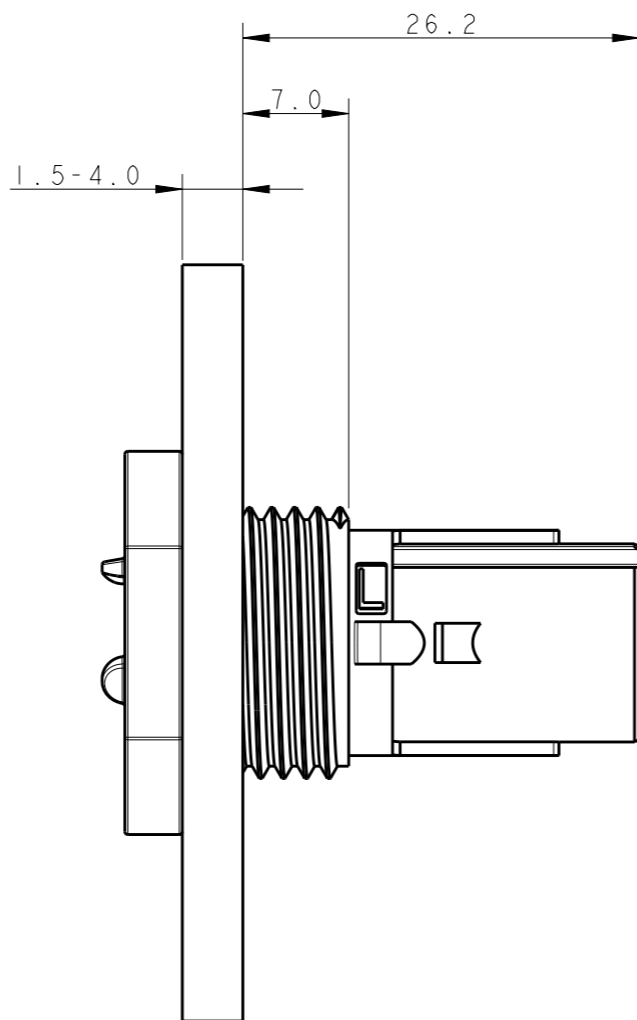
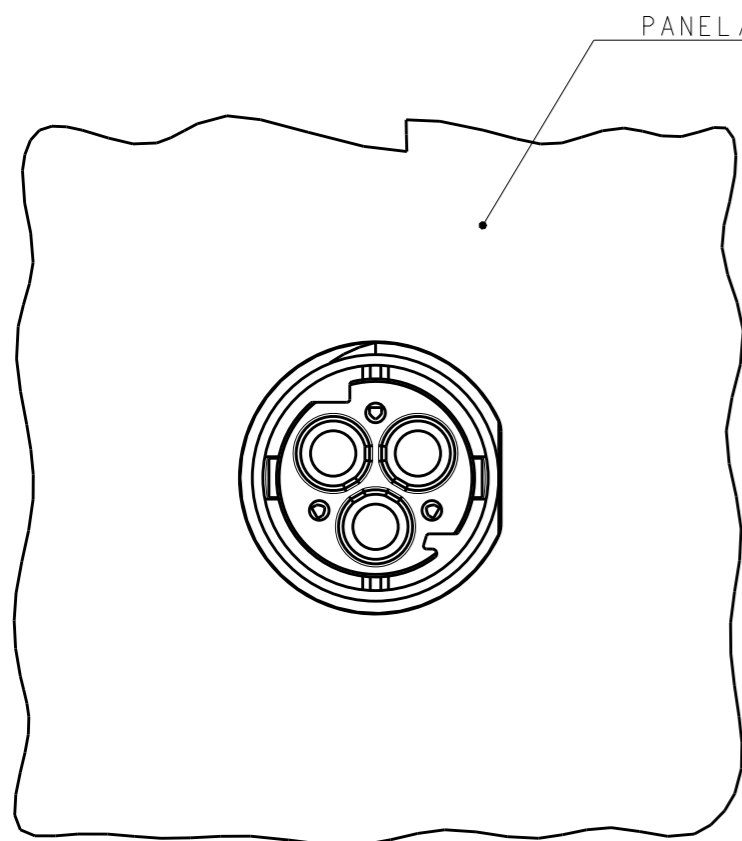
RELEASED FOR PUBLICATION

2011

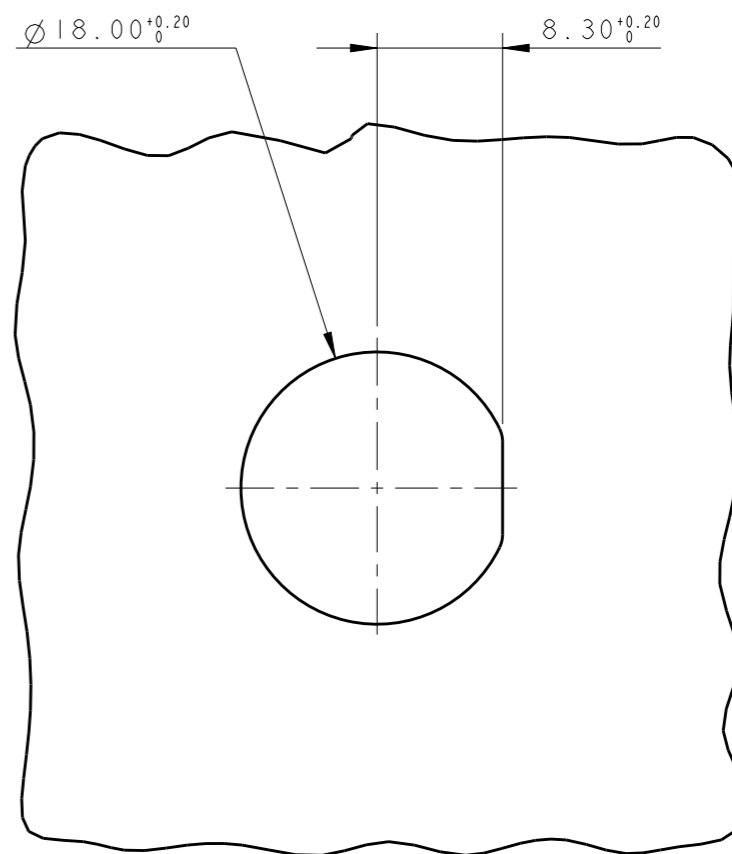
© COPYRIGHT 2011 BY -


ALL RIGHTS RESERVED.

LOC	DIST	REVISIONS					
		P	LTR	DESCRIPTION	DATE	DWN	APVD
1	-	-	-	SEE SHEET 1	-	-	-



PANEL / WALL  
SUGGESTED CUT OUT



THIS DRAWING IS A CONTROLLED DOCUMENT.		DWN M. ZUCCA 29OCT2009	 TE Connectivity	
DIMENSIONS: mm		CHK M. ZUCCA 29OCT2009		
TOLERANCES UNLESS OTHERWISE SPECIFIED:		APVD G. TURCO 29OCT2009	NAME PIN HOUSING PANEL MOUNT VERSION NECTOR* M-LINE	
0 PLC ± 1 PLC ±0.3 2 PLC ±0.20 3 PLC ± 4 PLC ± ANGLES ±3°		PRODUCT SPEC 108-20304	SIZE A300779	
MATERIAL SEE NOTES		APPLICATION SPEC 114-20452	DRAWING NO C-293598	
FINISH -		WEIGHT ~6.2 g	RESTRICTED TO -	
		Customer Drawing	SCALE 2:1	SHEET 3 OF 4
			REV G1	