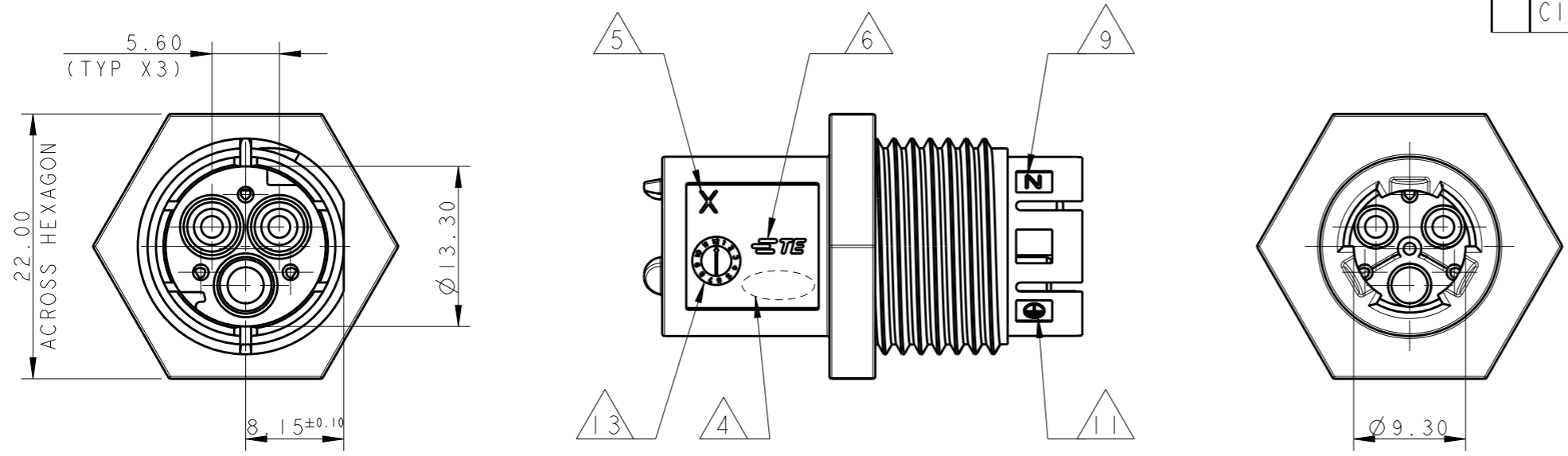
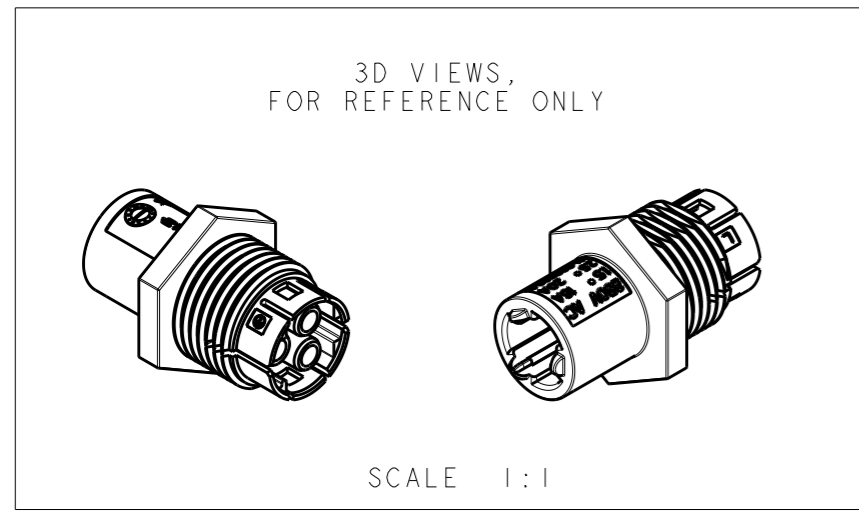
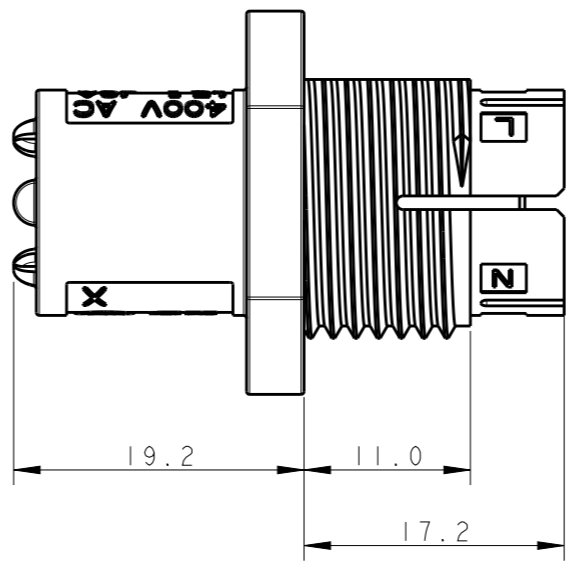
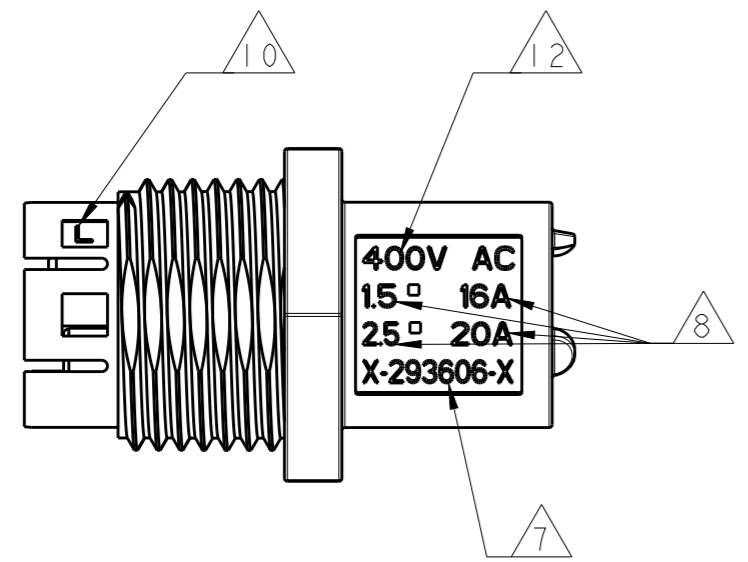


THIS DRAWING IS UNPUBLISHED. RELEASED FOR PUBLICATION 2011  
 © COPYRIGHT 2011 BY - ALL RIGHTS RESERVED.

LOC	DIST	REVISIONS			
P	LTR	DESCRIPTION	DATE	DWN	APVD
B2		PARTS -2, -3, 1-2, 1-3	26JUN2013	KR	JC
B3		ECR-15-010109	21JUL2015	RS	PO
C		REVISED PART NUMBERS AND ALIGNED REVISIONS	17JUL2017	SK	MZ
C1		REVISED PER ECR-18-006945	20SEP2018	SR	MZ



- NOTES:
- 1 MATERIAL: POLYAMIDE GLASS FILLED COLOUR NATURAL
  - 2 MATERIAL: POLYAMIDE GLASS FILLED COLOUR BLACK
  - 3) PACKAGING: SEE TE PACKAGING SPEC. 107-20294
  - 4 AREA FOR AGENCY APPROVAL LOGO
  - 5 CAVITY MOULD I.D. & MANUFACTURING LOCATION CODE
  - 6 TE LOGO
  - 7 TE PART NUMBER
  - 8 CONDUCTOR SIZE AND CURRENT RATING
  - 9 N CODE
  - 10 L CODE
  - 11 PE CODE
  - 12 RATED VOLTAGE
  - 13 DATE CODE



THIS DRAWING IS A CONTROLLED DOCUMENT.		DWN M. ZUCCA 06SEP2010	TE Connectivity	
DIMENSIONS: mm		CHK M. ZUCCA 06SEP2010		
TOLERANCES UNLESS OTHERWISE SPECIFIED:		APVD G. TURCO 06SEP2010	NAME SOCKET HOUSING PANEL MOUNT VERSION NECTOR* M-LINE	
0 PLC ±-		PRODUCT SPEC 108-20304	SIZE CAGE CODE DRAWING NO RESTRICTED TO	
1 PLC ±0.3		APPLICATION SPEC 114-20152	A300779 C-293606	
2 PLC ±0.20		WEIGHT ~5.9 g	SCALE 2:1 SHEET 1 OF 4 REV C1	
3 PLC ±-		MATERIAL SEE NOTES		
4 PLC ±-				
ANGLES ±3°				
FINISH -				

THIS DRAWING IS UNPUBLISHED.

RELEASED FOR PUBLICATION

2011

© COPYRIGHT 2011 BY -

ALL RIGHTS RESERVED.

LOC	DIST	REVISIONS					
		P	LTR	DESCRIPTION	DATE	DWN	APVD
1	-	-	-	SEE SHEET 1	-	-	-

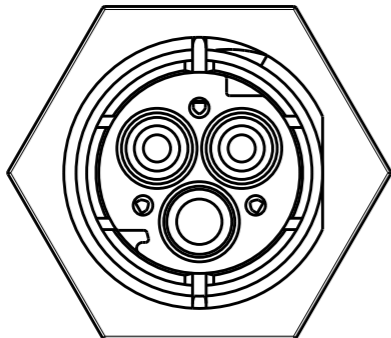
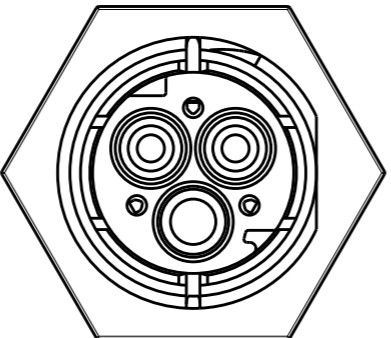
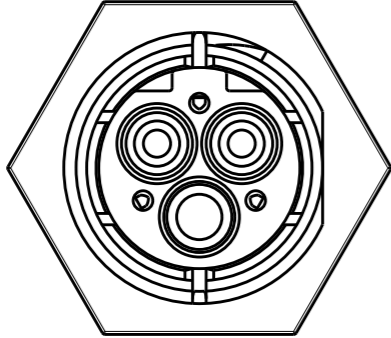
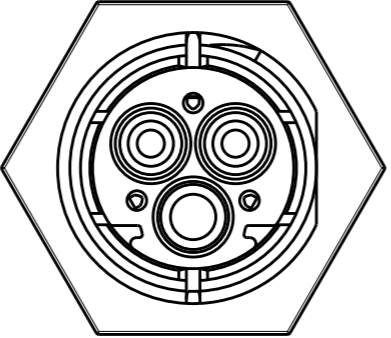

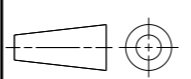
POLARIZATION TYPES	
TYPE "A"	TYPE "B"
	
P/Ns: 0-293606-1, 1-293606-1	P/Ns: 0-293606-2, 1-293606-2
TYPE "C"	TYPE "D"
	
P/Ns: 0-293606-3, 1-293606-3	P/Ns: <del>0-293606-4,</del> <del>1-293606-4,</del>

TABLE I					
MATERIAL	POL. KEYING	COLOUR	DESCRIPTION	REV.	PART NUMBER
OBSOLETE	2	D	BLACK	SOCKET HOUSING PANEL MOUNT VERS. NECTOR* M-LINE	A 1-293606-4
	2	C	BLACK	SOCKET HOUSING PANEL MOUNT VERS. NECTOR* M-LINE	C 1-293606-3
	2	B	BLACK	SOCKET HOUSING PANEL MOUNT VERS. NECTOR* M-LINE	C 1-293606-2
	2	A	BLACK	SOCKET HOUSING PANEL MOUNT VERS. NECTOR* M-LINE	C 1-293606-1
OBSOLETE	1	D	NATURAL	SOCKET HOUSING PANEL MOUNT VERS. NECTOR* M-LINE	A 0-293606-4
	1	C	NATURAL	SOCKET HOUSING PANEL MOUNT VERS. NECTOR* M-LINE	C 0-293606-3
	1	B	NATURAL	SOCKET HOUSING PANEL MOUNT VERS. NECTOR* M-LINE	C 0-293606-2
	1	A	NATURAL	SOCKET HOUSING PANEL MOUNT VERS. NECTOR* M-LINE	C 0-293606-1

THIS DRAWING IS A CONTROLLED DOCUMENT.		DWN M. ZUCCA 06SEP2010	 TE Connectivity		
DIMENSIONS: mm		CHK M. ZUCCA 06SEP2010			
TOLERANCES UNLESS OTHERWISE SPECIFIED:		APVD G. TURCO 06SEP2010	NAME SOCKET HOUSING PANEL MOUNT VERSION NECTOR* M-LINE		
		PRODUCT SPEC 108-20304	RESTRICTED TO		
0 PLC ± 1 PLC ±0.3 2 PLC ±0.20 3 PLC ± 4 PLC ± ANGLES ±3°		APPLICATION SPEC 114-20152	SIZE A3	CAGE CODE 00779	DRAWING NO C-293606
MATERIAL SEE NOTES		WEIGHT ~5.9 g	SCALE 2:1		
		Customer Drawing	SHEET 2 OF 4		
			REV C1		

THIS DRAWING IS UNPUBLISHED.

RELEASED FOR PUBLICATION

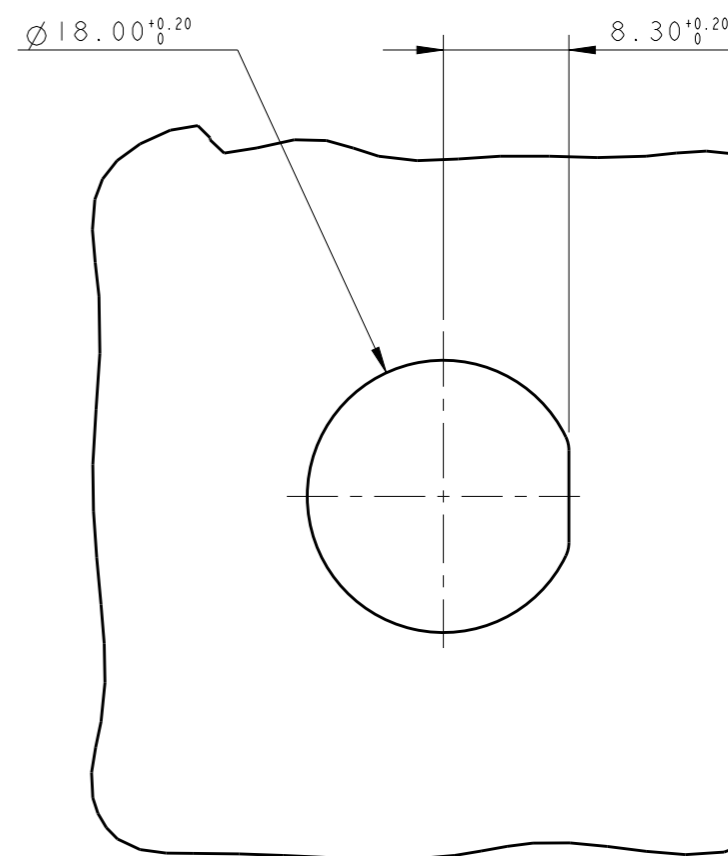
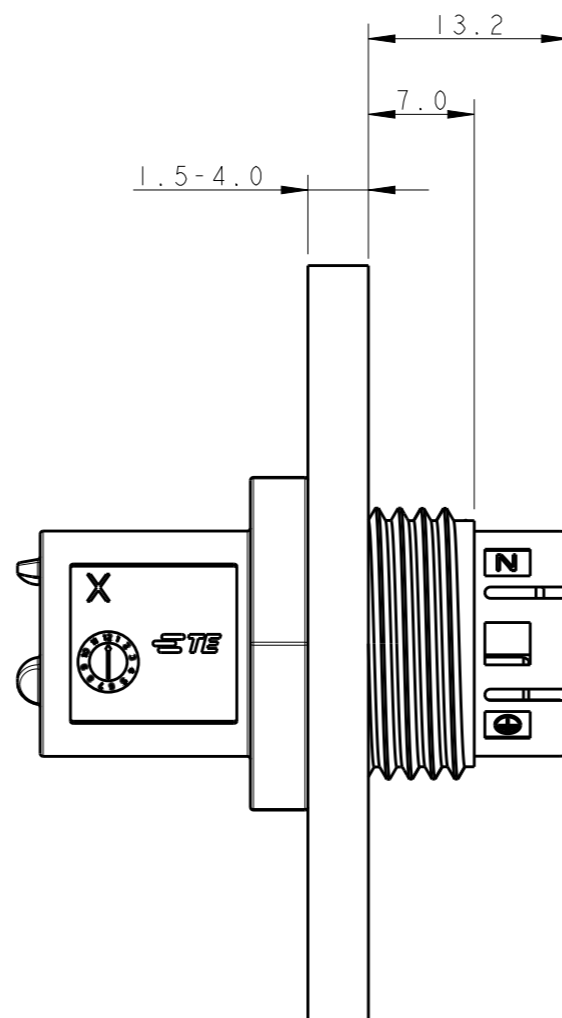
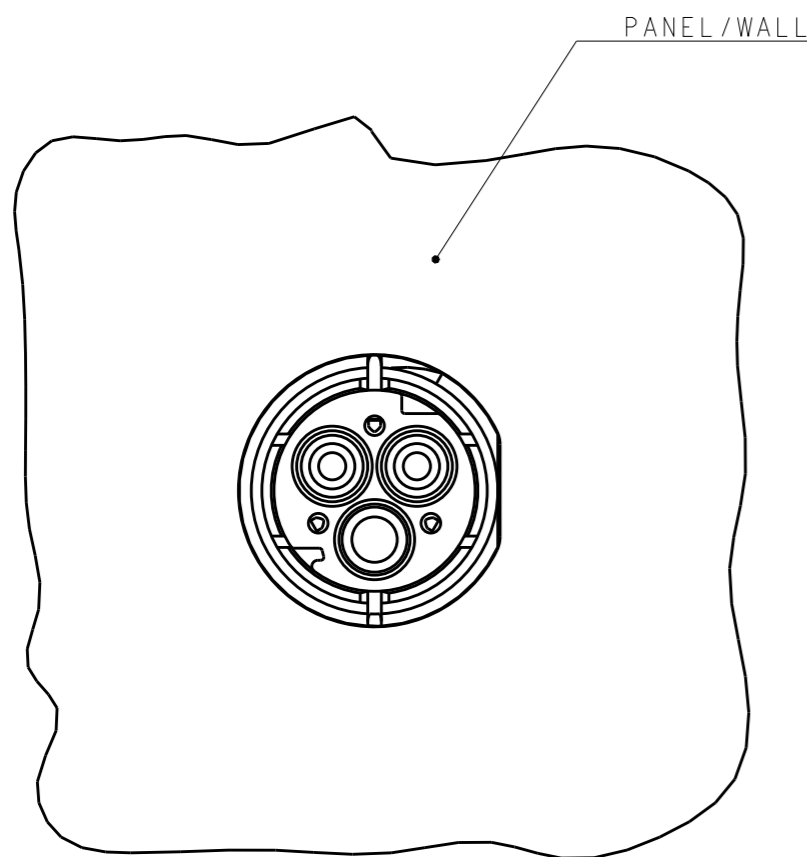
2011

© COPYRIGHT 2011 BY -

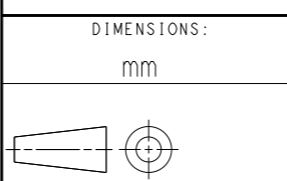
ALL RIGHTS RESERVED.

LOC	DIST	REVISIONS					
		P	LTR	DESCRIPTION	DATE	DWN	APVD
1	-	-	-	SEE SHEET 1	-	-	-

PANEL / WALL  
SUGGESTED CUT OUT



THIS DRAWING IS A CONTROLLED DOCUMENT.



MATERIAL SEE NOTES

DIMENSIONS:		TOLERANCES UNLESS OTHERWISE SPECIFIED:	
	mm		
0 PLC	±-	1 PLC	±0.3
1 PLC	±0.3	2 PLC	±0.20
2 PLC	±0.20	3 PLC	±-
3 PLC	±-	4 PLC	±-
4 PLC	±-	ANGLES	±3°
FINISH	-		

DWN	M. ZUCCA	06SEP2010
CHK	M. ZUCCA	06SEP2010
APVD	G. TURCO	06SEP2010
PRODUCT SPEC	108-20304	
APPLICATION SPEC	114-20152	
WEIGHT	~5.9 g	

<b>STE</b> TE Connectivity			
NAME SOCKET HOUSING PANEL MOUNT VERSION NECTOR* M-LINE			
SIZE	CAGE CODE	DRAWING NO	RESTRICTED TO
A3	00779	C-293606	-

Customer Drawing SCALE 2:1 SHEET 3 OF 4 REV C1