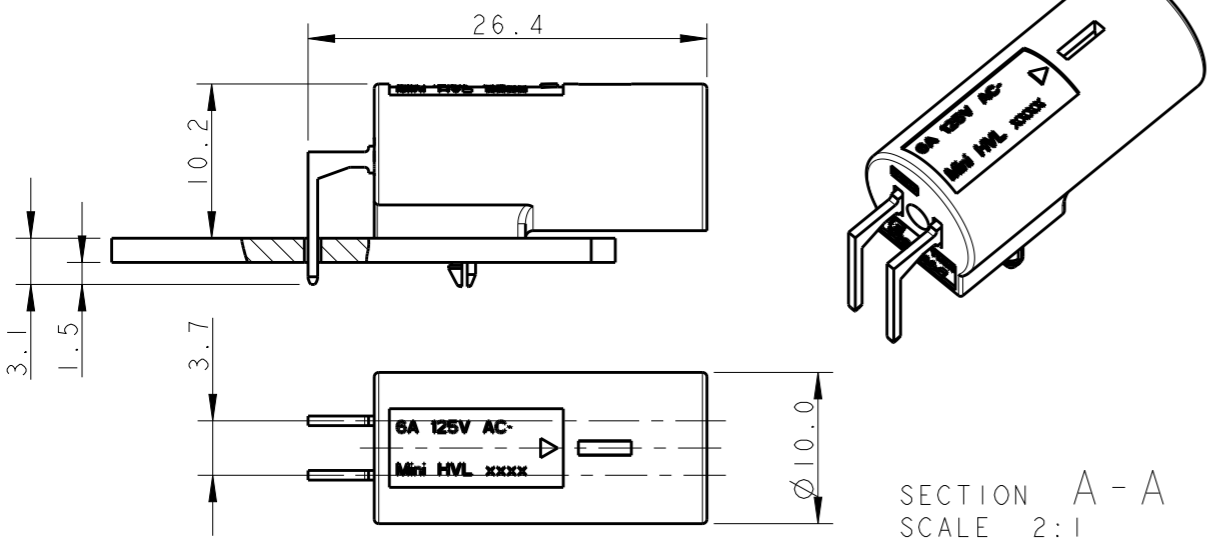


THIS DRAWING IS UNPUBLISHED. RELEASED FOR PUBLICATION 20
 © COPYRIGHT 20 BY - ALL RIGHTS RESERVED.

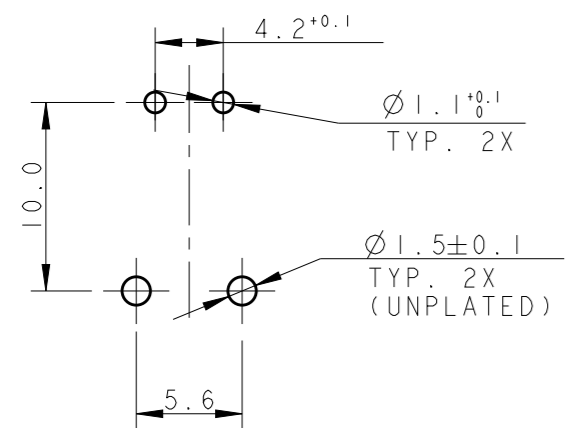
LOC	DIST	REVISIONS			
P	LTR	DESCRIPTION	DATE	DWN	APVD
	A	FIRST ISSUE	16FEB2010	AV	GT
	A1	REVISED PCB HOLES LAYOUT	04APR2011	AV	GT
	A2	REVISED PER ECR-13-009678	18SEP2013	RS	DD

TYPICAL APPLICATION



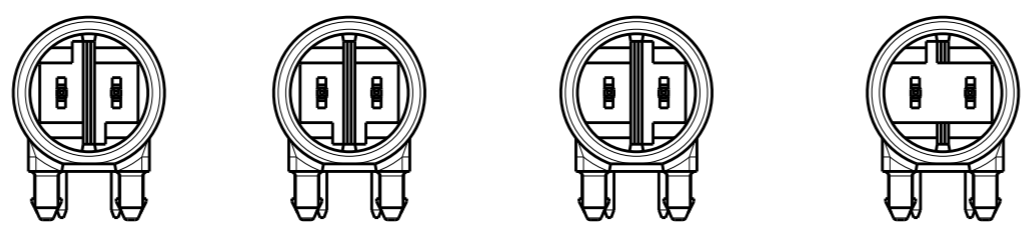
PRINTED CIRCUIT BOARD LAYOUT FOR LOW VOLTAGE VERSION

TOLERANCES UNLESS OTHERWISE SPECIFIED ± 0.05
 PRINTED CIRCUIT BOARD THICKNESS: 1.6 mm NOMINAL



HIGH VOLTAGE

- P/N 293652-1 KEYING HV-2
- P/N 293652-2 KEYING HV-3
- P/N 293652-3 KEYING HV-4
- P/N 293652-4 KEYING HV-5

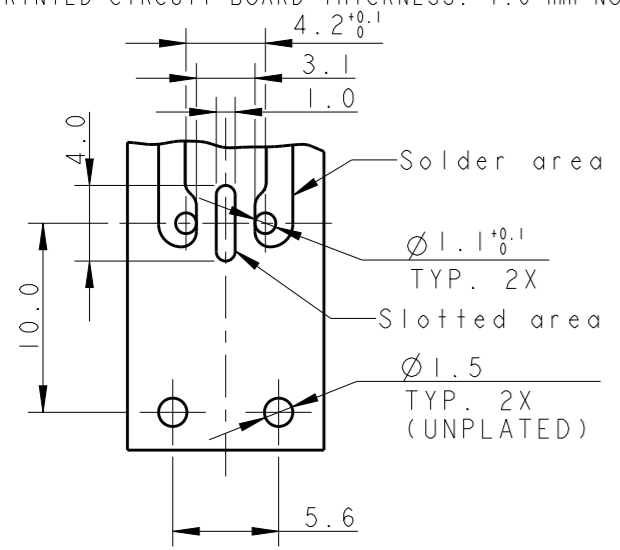


NOTE:

- 1) TIN PLATED CONTACTS
- 2) MATERIAL HOUSING PBT, 15%GFF, UL 94 V0

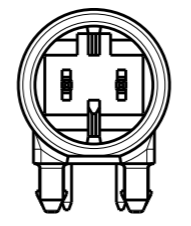
PRINTED CIRCUIT BOARD LAYOUT FOR HIGH VOLTAGE VERSION

TOLERANCES UNLESS OTHERWISE SPECIFIED ± 0.05
 PRINTED CIRCUIT BOARD THICKNESS: 1.6 mm NOMINAL



LOW VOLTAGE

- P/N 293652-5 KEYING LV-2



KEYING	REMARKS	PART NUMBER	COLOR
LV-2	LOW-VOLT 7A 42 V DC	293652-5	WHITE
HV-5	HIGH-VOLT 6A 125 V AC	293652-4	WHITE
HV-4	HIGH-VOLT 6A 125 V AC	293652-3	WHITE
HV-3	HIGH-VOLT 6A 125 V AC	293652-2	WHITE
HV-2	SWITCH-KEYING	293652-1	WHITE

THIS DRAWING IS A CONTROLLED DOCUMENT.

DIMENSIONS:	TOLERANCES UNLESS OTHERWISE SPECIFIED:
mm	
	0 PLC ±-
	1 PLC ±0.3
	2 PLC ±0.1
	3 PLC ±-
	4 PLC ±-
ANGLES	±0.5°
MATERIAL	FINISH

DWN	20 JUN 2007
CHK	R. FRABONI
APVD	J. SALO
PRODUCT SPEC	11 FEB 2008
APPLICATION SPEC	L. BAILO
108-20294	
114-32102	
WEIGHT	-
CUSTOMER DRAWING	



NAME			
7.5 mm PCB CONNECTOR ASSEMBLY 90 DEGREE MALE VERSION FOR USA MARKET			
SIZE	CAGE CODE	DRAWING NO	RESTRICTED TO
A3	00779	C-293652	-
SCALE		SHEET	OF
2:1		1	1
			REV
			A2