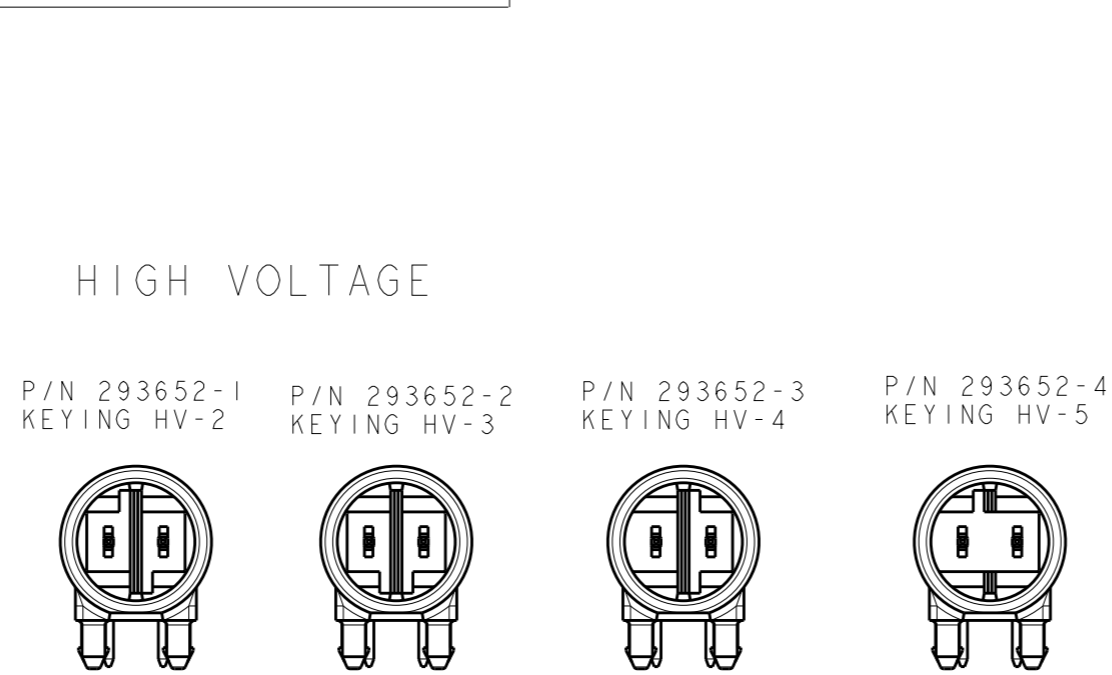
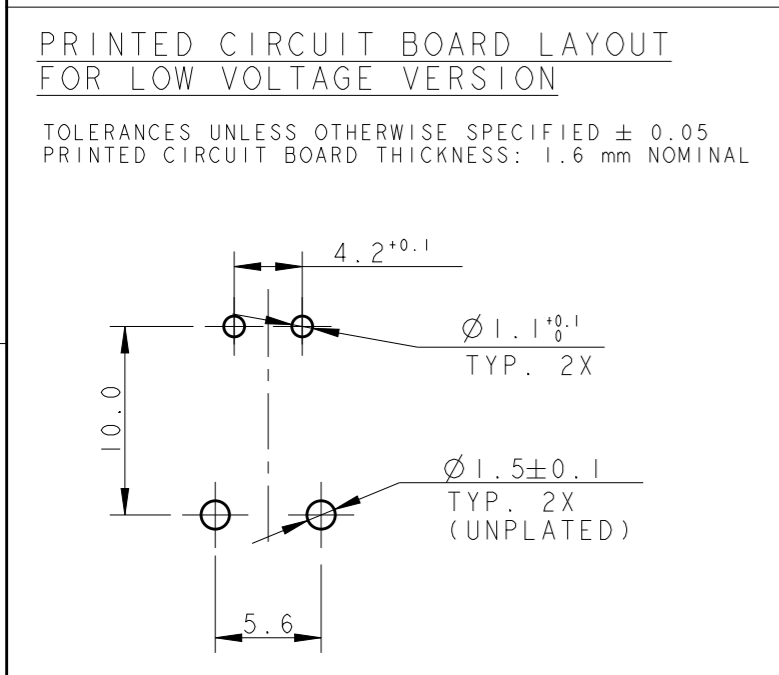
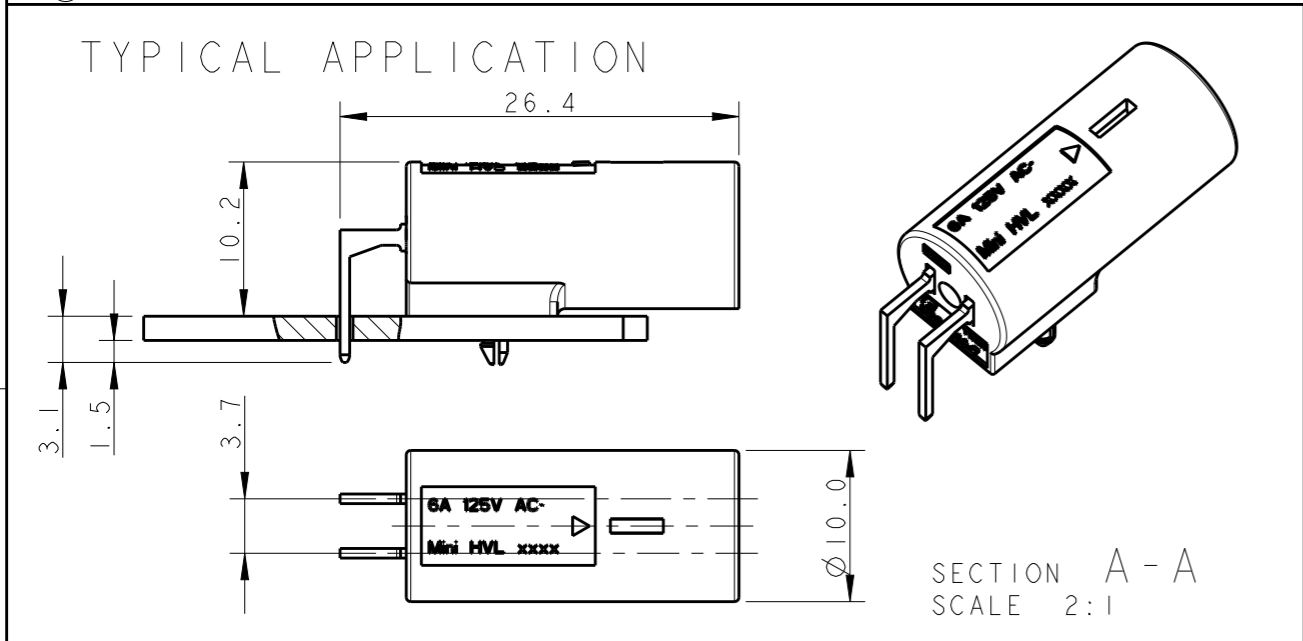


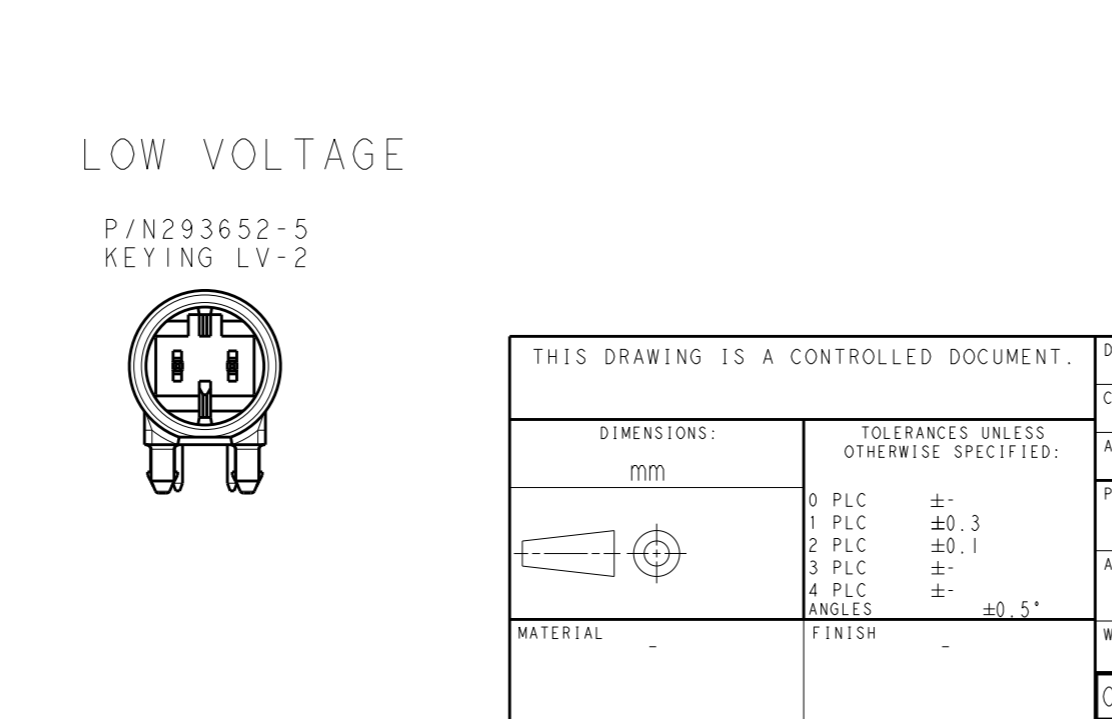
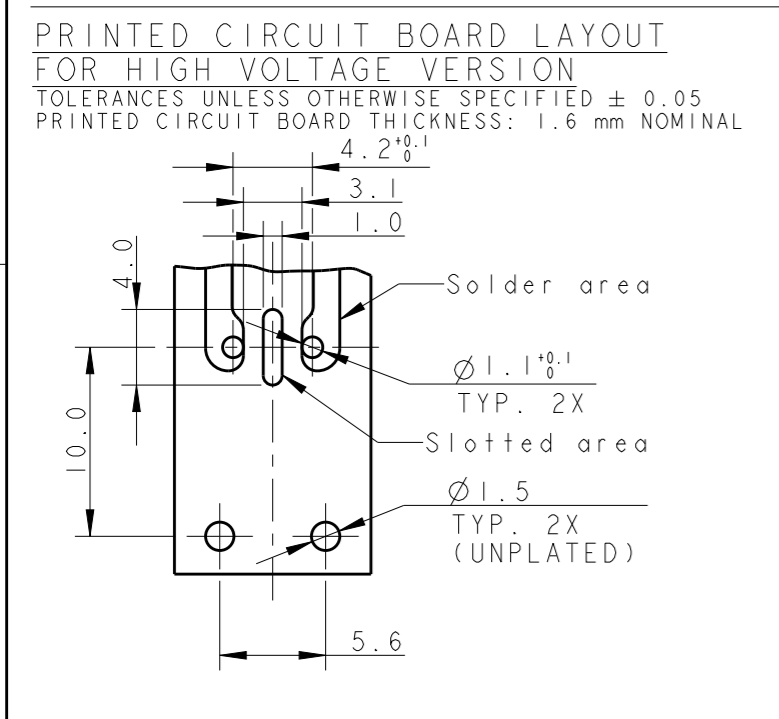
THIS DRAWING IS UNPUBLISHED. RELEASED FOR PUBLICATION 20  
 © COPYRIGHT 20 BY - ALL RIGHTS RESERVED.

LOC	DIST	REVISIONS			
P	LTR	DESCRIPTION	DATE	DWN	APVD
	A	FIRST ISSUE	16FEB2010	AV	GT
	A1	REVISED PCB HOLES LAYOUT	04APR2011	AV	GT
	A2	REVISED PER ECR-13-009678	18SEP2013	RS	DD



NOTE:

- TIN PLATED CONTACTS
- MATERIAL HOUSING PBT, 15%GFF, UL 94 V0



KEYING	REMARKS	PART NUMBER	COLOR
LV-2	LOW-VOLT 7A 42 V DC	293652-5	WHITE
HV-5	HIGH-VOLT 6A 125 V AC	293652-4	WHITE
HV-4	HIGH-VOLT 6A 125 V AC	293652-3	WHITE
HV-3	HIGH-VOLT 6A 125 V AC	293652-2	WHITE
HV-2	SWITCH-KEYING	293652-1	WHITE

THIS DRAWING IS A CONTROLLED DOCUMENT.

DWN R. FRABONI 20 JUN 2007  
 CHK J. SALO 11 FEB 2008  
 APVD L. BAILO 11 FEB 2008

PRODUCT SPEC 108-20294  
 APPLICATION SPEC 114-32102

MATERIAL - FINISH - WEIGHT -

CUSTOMER DRAWING

**STE** TE Connectivity

NAME: 7.5 mm PCB CONNECTOR ASSEMBLY 90 DEGREE MALE VERSION FOR USA MARKET

SIZE: A3 CAGE CODE: 00779 DRAWING NO: C-293652 RESTRICTED TO: -

SCALE: 2:1 SHEET: 1 OF 1 REV: A2