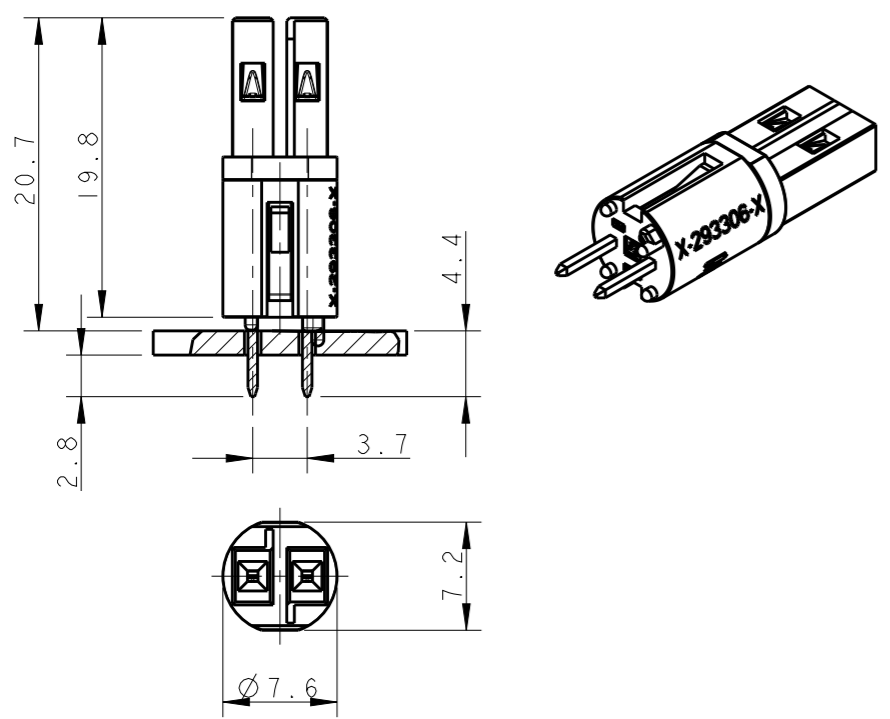


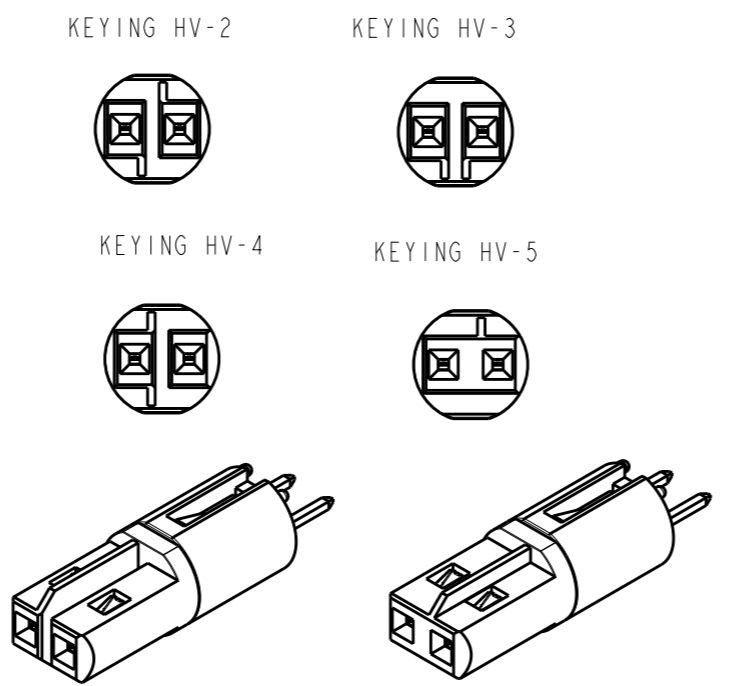
THIS DRAWING IS UNPUBLISHED. RELEASED FOR PUBLICATION 20
 © COPYRIGHT 20 BY - ALL RIGHTS RESERVED.

LOC	DIST	REVISIONS					
		P	LTR	DESCRIPTION	DATE	DWN	APVD
1	2		A	FIRST ISSUE	28FEB2010	AV	GT
			AI	REVISED PER ECR-13-009678	18SEP2013	RS	DD

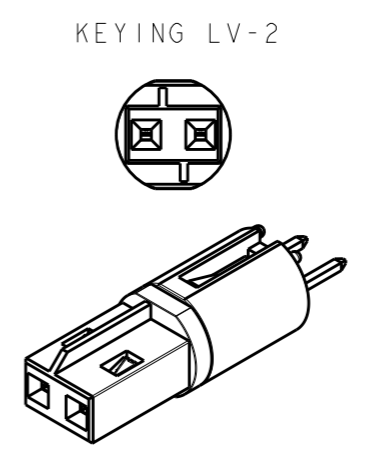
TYPICAL APPLICATION



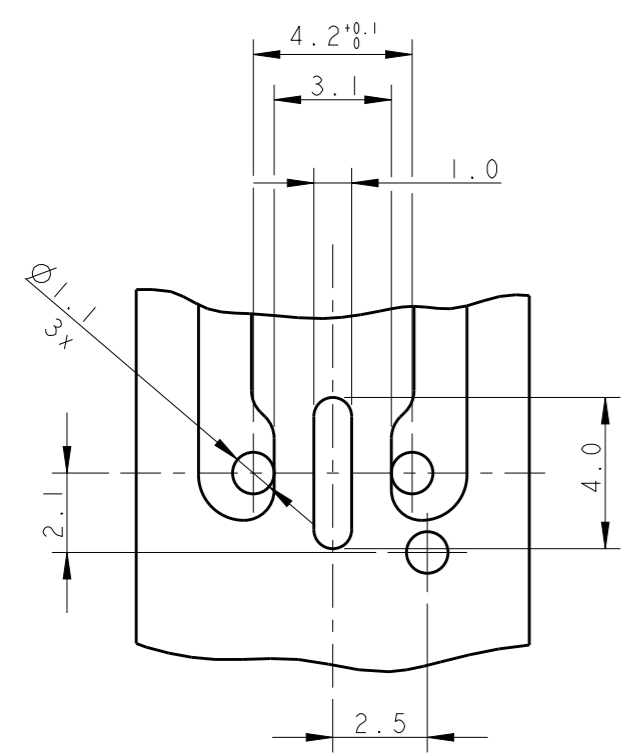
HIGH VOLTAGE



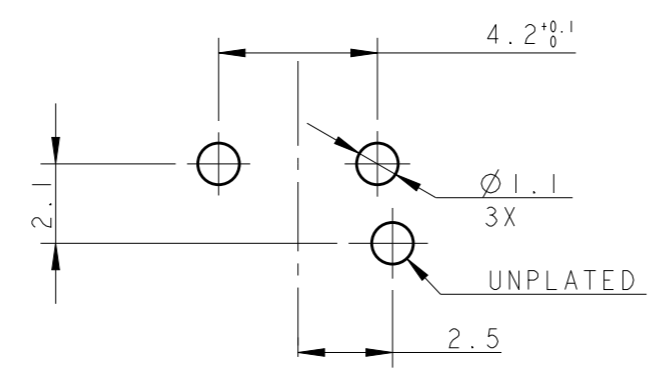
LOW VOLTAGE



PRINTED CIRCUIT BOARD LAYOUT FOR HIGH VOLTAGE VERSION
 TOLERANCES UNLESS OTHERWISE SPECIFIED ± 0.05
 PRINTED CIRCUIT BOARD THICKNESS: 1.6 mm NOMINAL



PRINTED CIRCUIT BOARD LAYOUT FOR LOW VOLTAGE VERSION
 TOLERANCES UNLESS OTHERWISE SPECIFIED ± 0.05
 PRINTED CIRCUIT BOARD THICKNESS: 1.6 mm NOMINAL



MATERIALS:

- 1) CONTACTS: SOLDERING SIDE TIN PLATED Ph. BRONZE RECEPTACLE IN SPECIAL ALLOY COPPER TIN PLATED
- HOUSING: PBT 15%GFF UL 94 V0 COLOR WHITE

2) P/N 293655-1 POLARIZATION KEY HV-2 TO BE USED FOR FOR SWITCH APPLICATION ONLY

KEYING	REMARKS	PART NUMBER	REV
LV-2	LOW-VOLT 42 V DC	293655-5	A
HV-5	HIGH-VOLT 125 V AC	293655-4	A
HV-4	HIGH-VOLT 125 V AC	293655-3	A
HV-3	HIGH-VOLT 125 V AC	293655-2	A
2) HV-2	HIGH-VOLT 125 V AC	293655-1	A
NOTE	KEYING	REMARKS	PART NUMBER REV

THIS DRAWING IS A CONTROLLED DOCUMENT.

DIMENSIONS:	TOLERANCES UNLESS OTHERWISE SPECIFIED:	DWN	18FEB2010
mm	0 PLC ±-	CHK	A. Vecchia
	1 PLC ±0.5	APVD	G. Turco
	2 PLC ±0.3	PRODUCT SPEC	108-20294
	3 PLC ±-	APPLICATION SPEC	114-32102
	4 PLC ±-	WEIGHT	-
	ANGLES ±0.5°		
MATERIAL	FINISH		

STE TE Connectivity

NAME: 7,5 mm PCB CONNECTOR ASSEMBLY STRAIGHT FEMALE VERSION FOR USA MARKET

SIZE	CAGE CODE	DRAWING NO	RESTRICTED TO
A300779	C=293655		-

Customer Drawing SCALE 5:1 SHEET 1 OF 1 REV AI