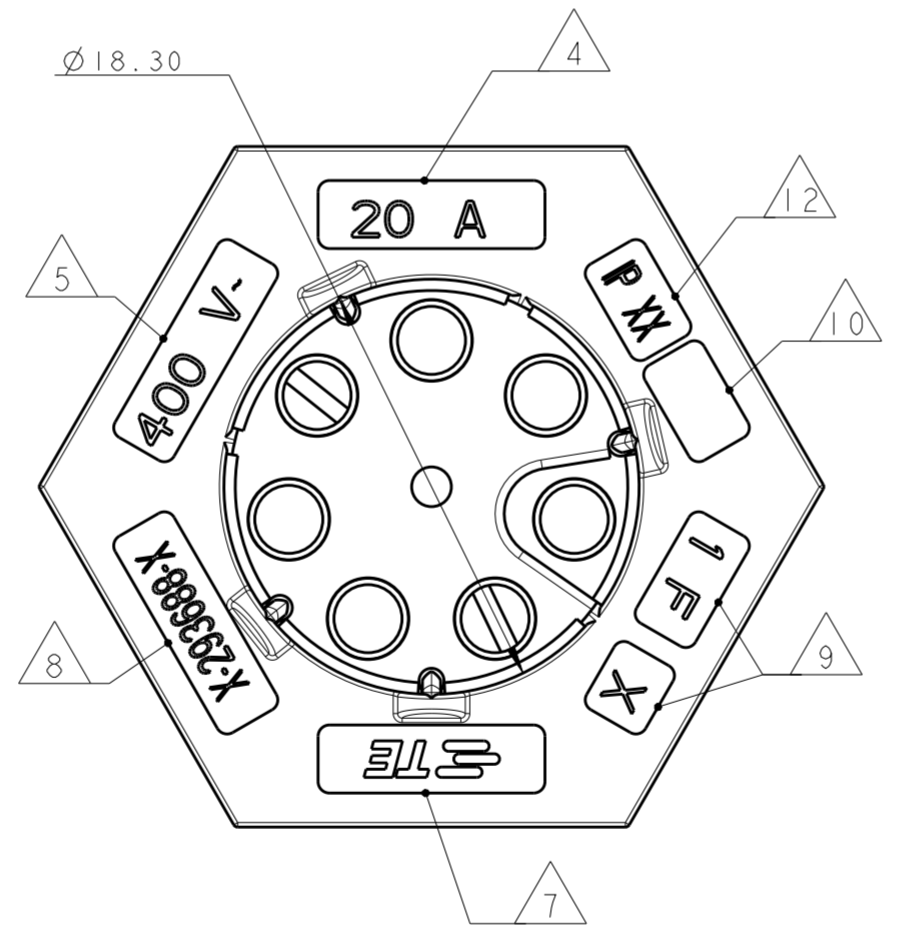
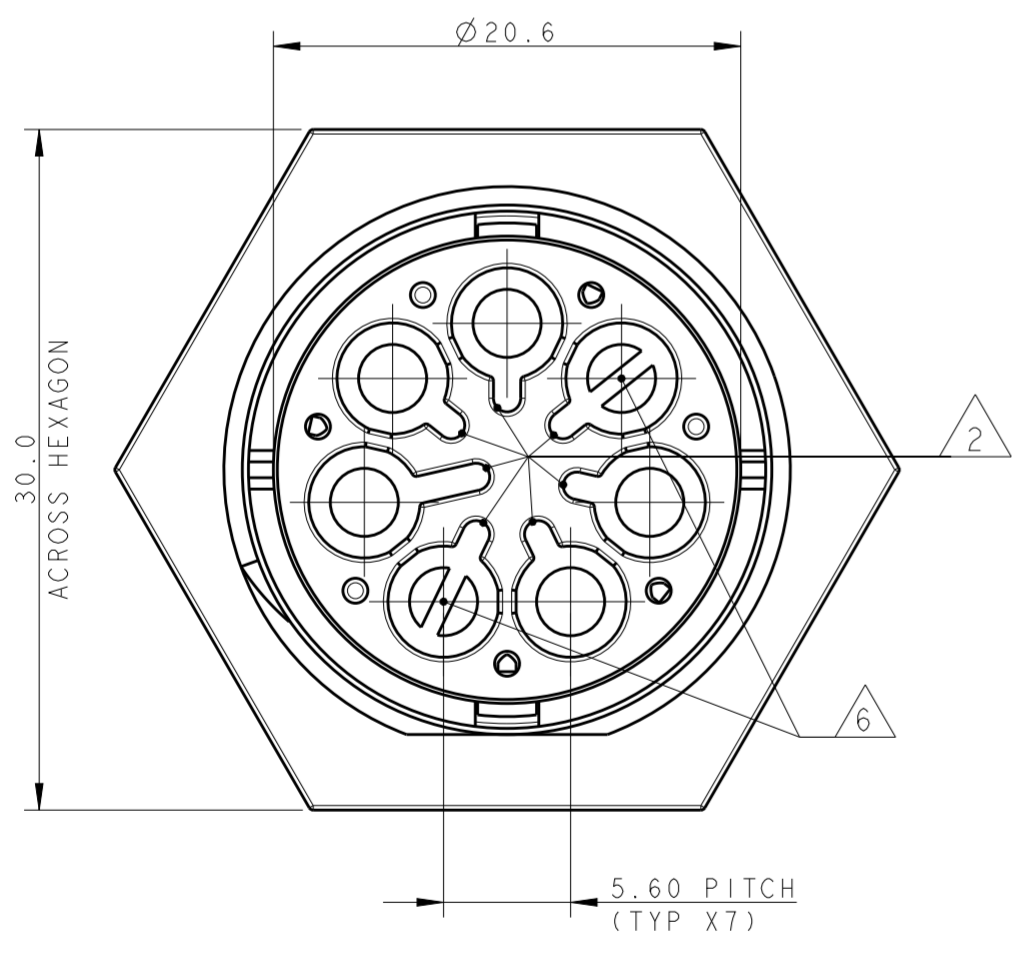
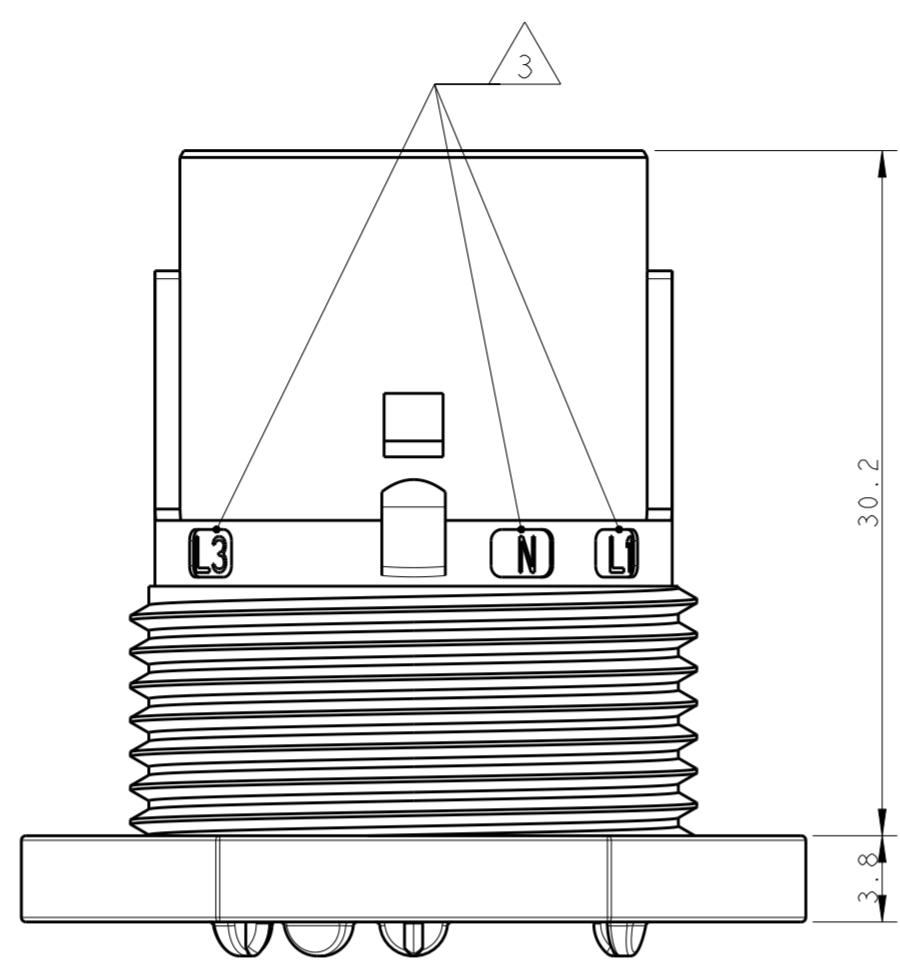
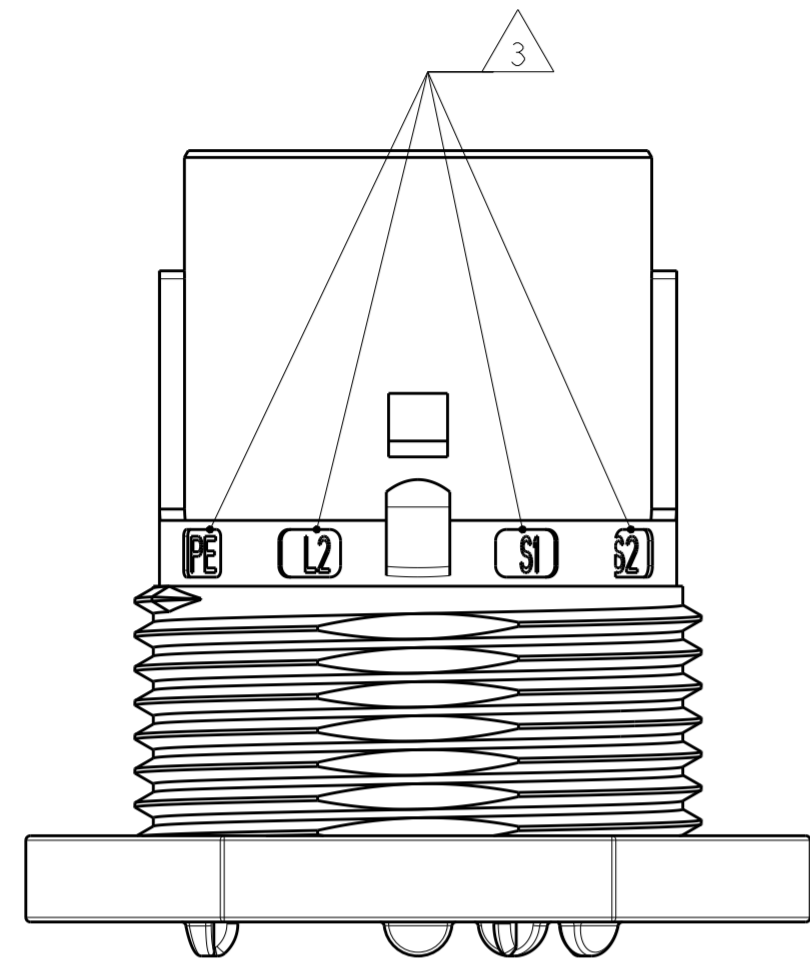
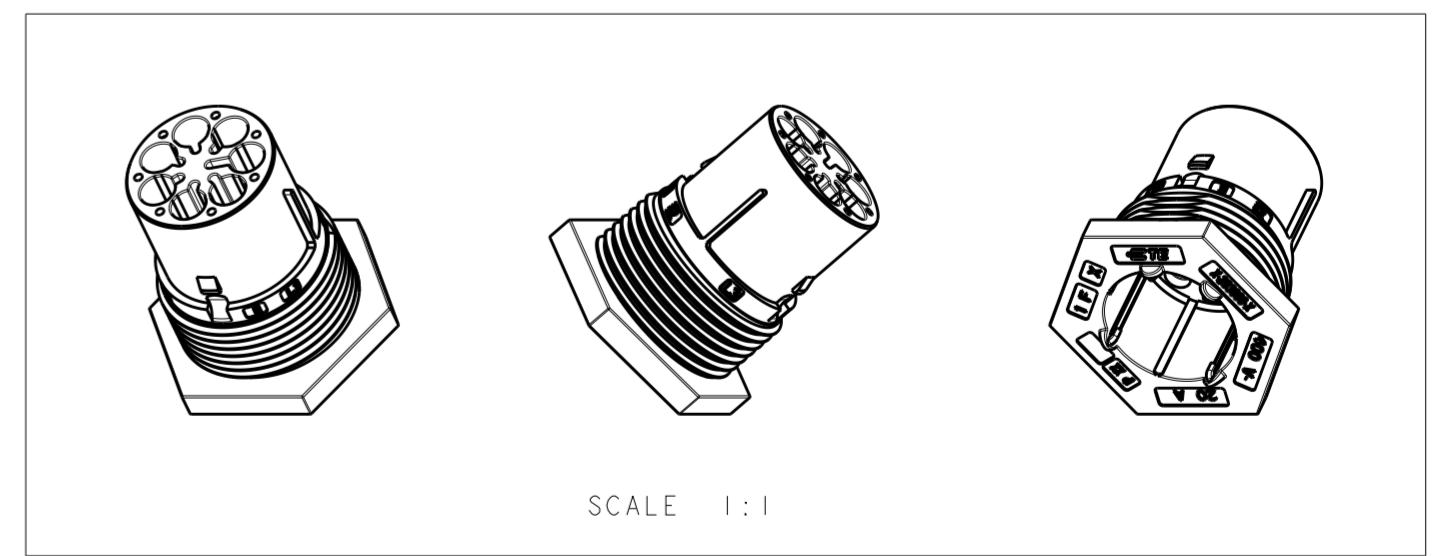



LOC	DIST	REVISIONS			
P	LTR	DESCRIPTION	DATE	DWN	APVD
5		UPDATED	22JUL2013	MZ	JC
6		REVISED LATCH SHAPE	09AUG2013	KR	JC
A		PARTS RELEASED FOR PRODUCTION	13NOV2013	MZ	JC
AI		ECR-18-006945	30MAY2018	SR	MZ



- NOTES:
- 1 MATERIAL: PA GF (NATURAL AND BLACK COLOUR)
  - 2 ALL POLARIZATION KEYS SHOWN FOR REF ONLY
  - 3 WAYS I.D.
  - 4 CURRENT RATING
  - 5 VOLTAGE RATING
  - 6 RIB CLOSING CAVITIES BY CHANGE OVER
  - 7 TE LOGO
  - 8 TE PART NUMBER
  - 9 DATA CODE AND CAVITY I.D.
  - 10 AREA FOR AGENCIES APPROVAL LOGO
- 11) SEE C-DRAWING 293682 (LOCKING CAP) TO GET IP 40
- 12 IP CODE
  - 13 POLARISATION KEY "TYPE D" SUITABLE FOR DALI APPLICATION



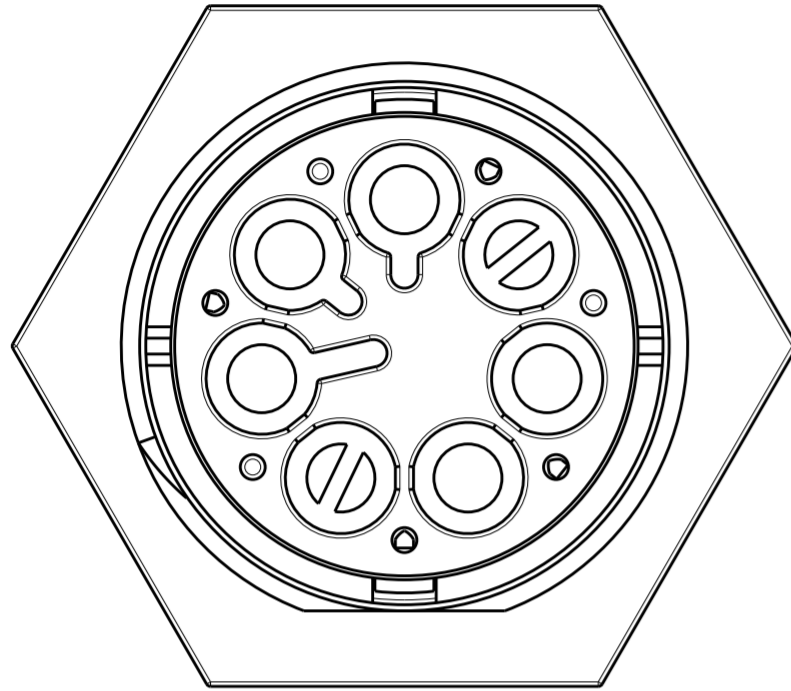
THIS DRAWING IS A CONTROLLED DOCUMENT.		DWN M. ZUCCA	01APR2011	 TE Connectivity	
DIMENSIONS: mm		CHK M. ZUCCA	01APR2011		
TOLERANCES UNLESS OTHERWISE SPECIFIED:		APVD G. TURCO	01APR2011	NAME PIN HOUSING PANEL MOUNT	
0 PLC ± 1 PLC ±0.3 2 PLC ±0.20 3 PLC ± 4 PLC ±		PRODUCT SPEC		NECTOR* M-LINE 5 POLES	
ANGLES ±3°		APPLICATION SPEC		SIZE	CAGE CODE
FINISH		WEIGHT		A2b0779	C-293688
-		-		DRAWING NO	
-		-		RESTRICTED TO	-
Customer Drawing				SCALE 3:1	SHEET 1 OF 3
				REV AI	

THIS DRAWING IS UNPUBLISHED. RELEASED FOR PUBLICATION 2011  
 © COPYRIGHT 2011 ALL RIGHTS RESERVED.

LOC	DIST	REVISIONS			
P	LTR	DESCRIPTION	DATE	DWN	APVD
-	-	SEE SHEET 1	-	-	-

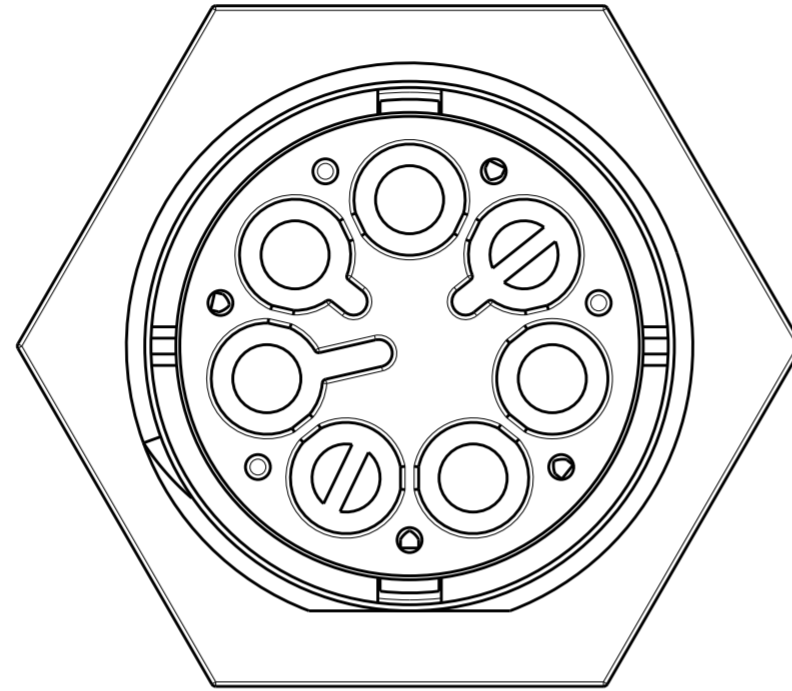
### POLARIZATION TYPES

POLARIZATION TYPE "A"



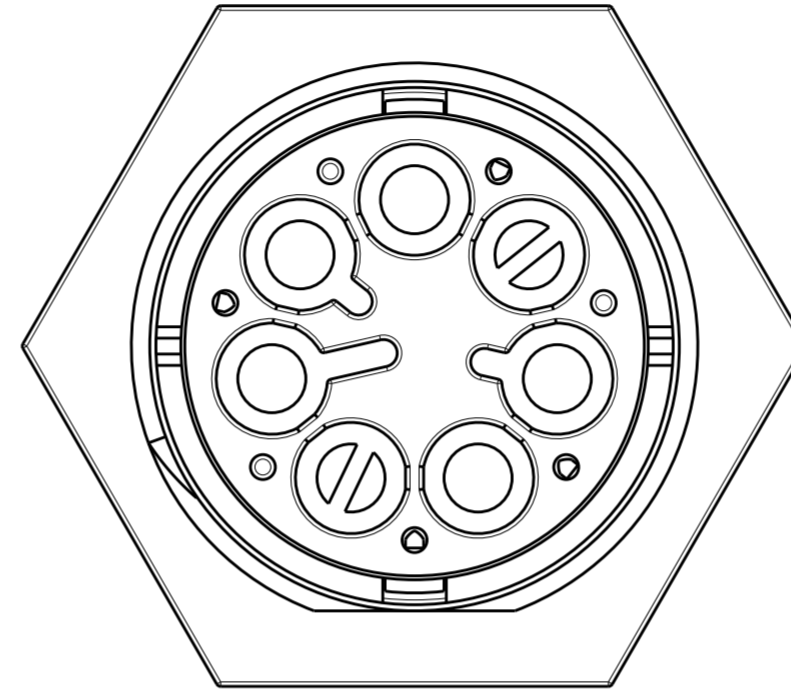
PNs 0-293688-1 AND  
1-293688-1

POLARIZATION TYPE "B"



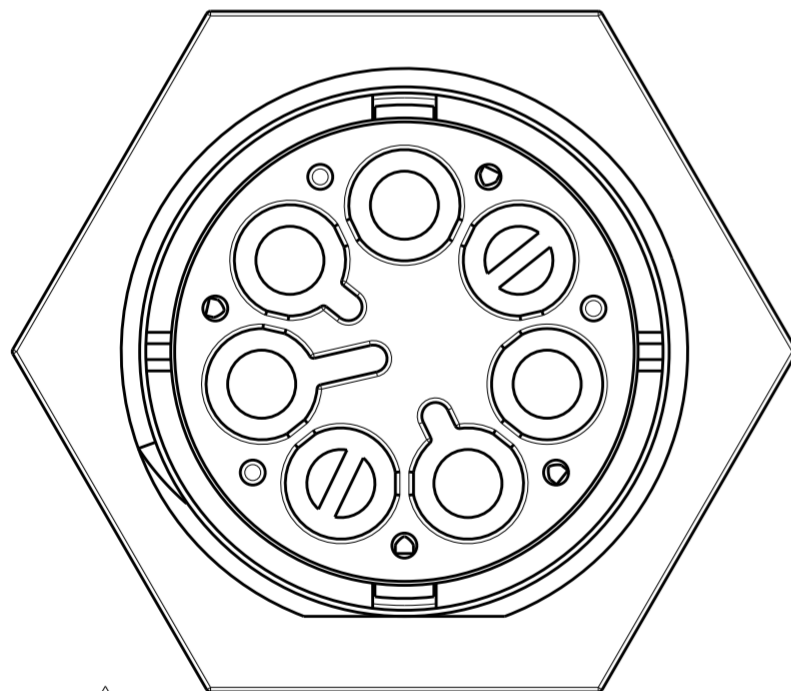
PNs 0-293688-2 AND  
1-293688-2

POLARIZATION TYPE "C"



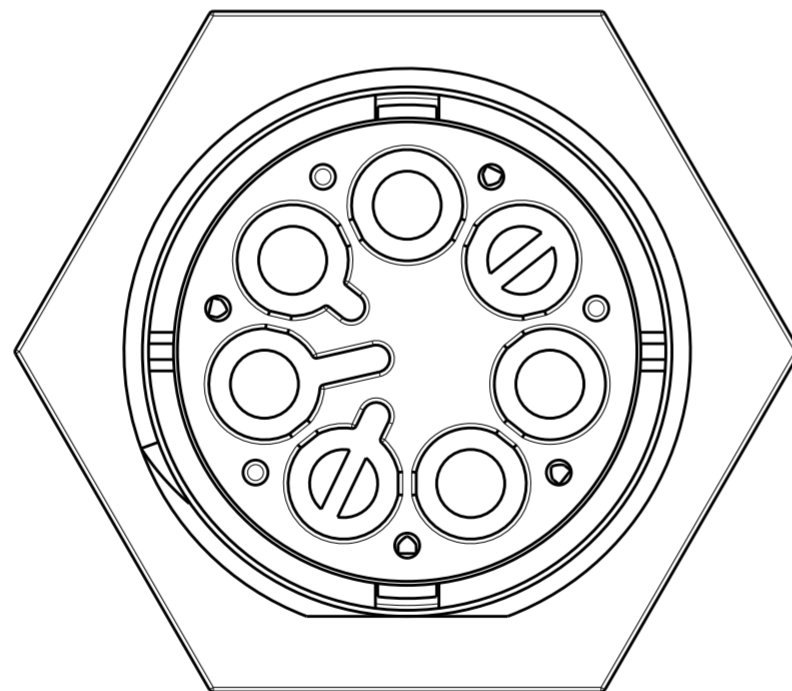
PNs 0-293688-3 AND  
1-293688-3

POLARIZATION TYPE "D"



~~PNs 0-293688-4 AND  
1-293688-4~~

POLARIZATION TYPE "E"



~~PNs 0-293688-5 AND  
1-293688-5~~

TABLE 1

NOTE	POL. KEYING	COLOUR	DESCRIPTION	REV.	P/N
OBSOLETE		E	BLACK PIN HSG 5 POLES PANEL MOUNT NECTOR* M-LINE	A	<del>1-293688-5</del>
		D	BLACK PIN HSG 5 POLES PANEL MOUNT NECTOR* M-LINE	A	<del>1-293688-4</del>
		C	BLACK PIN HSG 5 POLES PANEL MOUNT NECTOR* M-LINE	A	1-293688-3
		B	BLACK PIN HSG 5 POLES PANEL MOUNT NECTOR* M-LINE	A	1-293688-2
		A	BLACK PIN HSG 5 POLES PANEL MOUNT NECTOR* M-LINE	A	1-293688-1
OBSOLETE		E	NATURAL PIN HSG 5 POLES PANEL MOUNT NECTOR* M-LINE	A	<del>0-293688-5</del>
		D	NATURAL PIN HSG 5 POLES PANEL MOUNT NECTOR* M-LINE	A	<del>0-293688-4</del>
		C	NATURAL PIN HSG 5 POLES PANEL MOUNT NECTOR* M-LINE	A	0-293688-3
		B	NATURAL PIN HSG 5 POLES PANEL MOUNT NECTOR* M-LINE	A	0-293688-2
		A	NATURAL PIN HSG 5 POLES PANEL MOUNT NECTOR* M-LINE	A	0-293688-1

THIS DRAWING IS A CONTROLLED DOCUMENT.

DWN	M. ZUCCA	01APR2011
CHK	M. ZUCCA	01APR2011
APVD	G. TURCO	01APR2011

**STE** TE Connectivity

NAME: PIN HOUSING PANEL MOUNT  
NECTOR\* M-LINE 5 POLES  
UNSEALED VERSION

SIZE: A2 CAGE CODE: 0779 DRAWING NO: C-293688

SCALE: 3:1 SHEET 2 OF 3 REV A1

Customer Drawing

DIMENSIONS:	TOLERANCES UNLESS OTHERWISE SPECIFIED:
mm	0 PLC ±
	1 PLC ±0.3
	2 PLC ±0.20
	3 PLC ±
	4 PLC ±
	ANGLES ±3°
MATERIAL:	FINISH