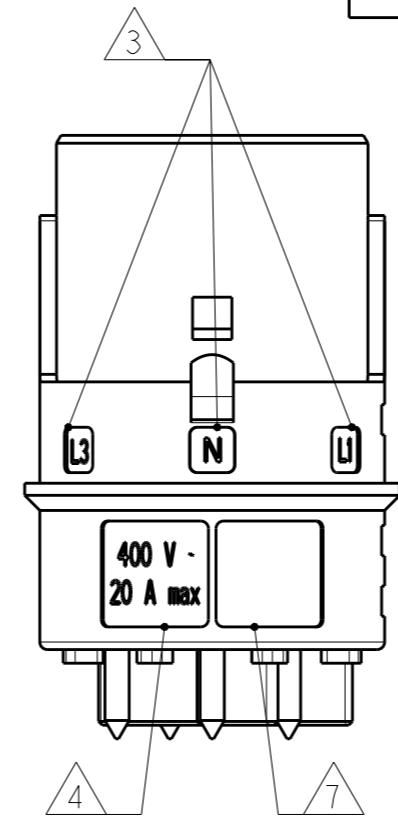
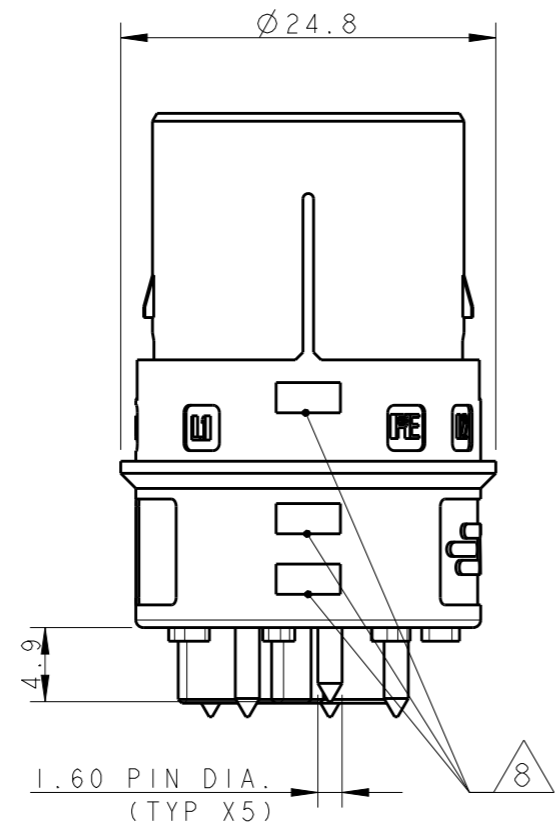
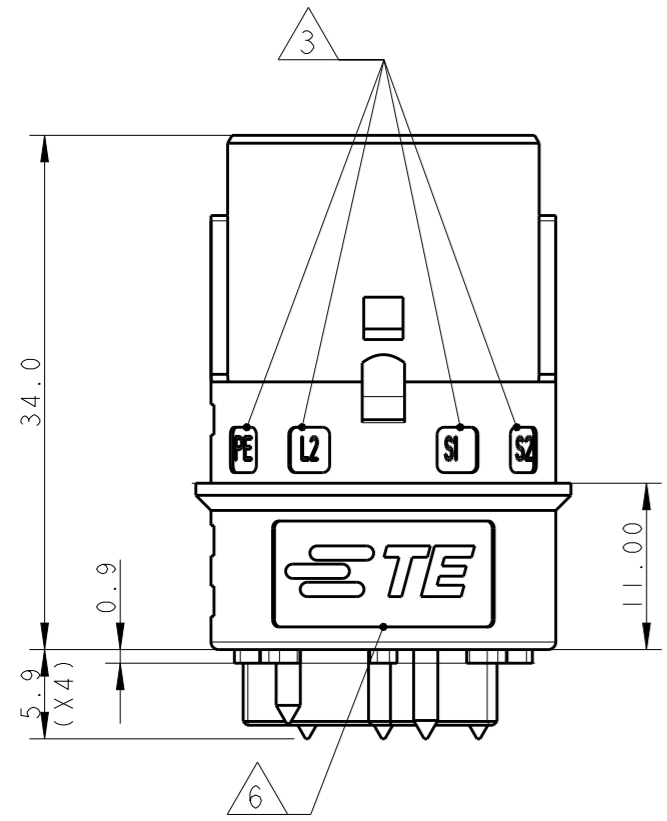


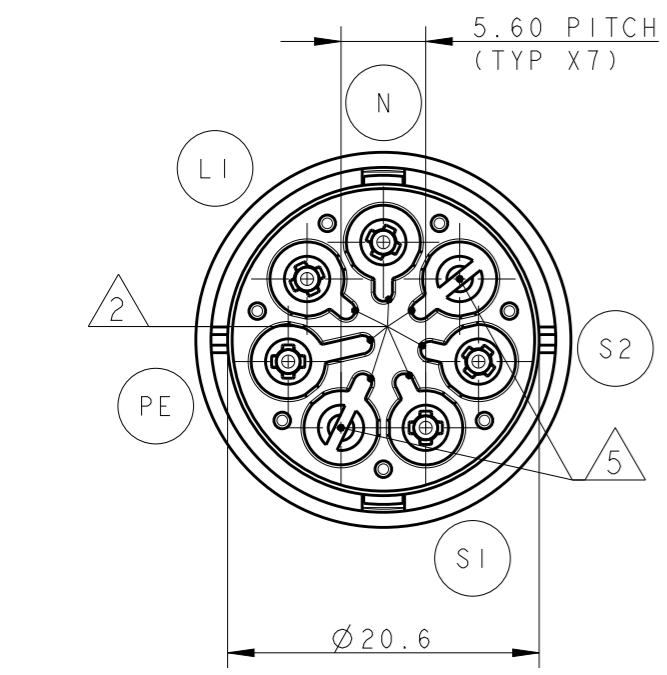
THIS DRAWING IS UNPUBLISHED. RELEASED FOR PUBLICATION 2011  
 © COPYRIGHT 2011 ALL RIGHTS RESERVED.

LOC	DIST	REVISIONS			
P	LTR	DESCRIPTION	DATE	DWN	APVD
1	-	AI	REVISED PER ECR-18-006945	30MAY2018	NG MZ



NOTES:

- 1 MATERIAL: PA GF (NATURAL COLOUR)
- 2 ALL POLARIZATION KEYS SHOWN FOR REF ONLY
- 3 WAYS I.D.
- 4 VOLTAGE AND CURRENT RATINGS
- 5 RIB CLOSING CAVITIES BY CHANGE OVER
- 6 TE LOGO
- 7 AREA FOR AGENCIES APPROVAL LOGO
- 8 VISUAL INDICATOR FOR PE CONDUCTOR
- 9 POLARISATION KEY "TYPE D" SUITABLE FOR DALI APPLICATION



**PCB CUT-OUT AND HOLES DIMENSIONS (±0.03)**

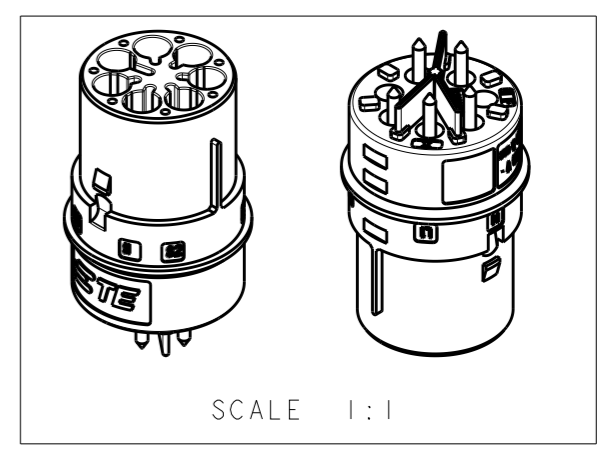
**BOTTOM VIEW**

Ø12.91  
PIN HOLES CENTER PLACED ALONG VERTEX OF HEPTAGON FIGURE INSCRIBED INTO CIRCLE 12.91mm DIA.

**TOP VIEW**

**BOTTOM VIEW**

**RACOMANDED PCB THICKNESS 1.6±0.06, PATH THICKNESS 0.07, PATH WIDTH 7.50±0.05 FOR LINES, PE, NEUTRAL**



THIS DRAWING IS A CONTROLLED DOCUMENT.		DWN M. ZUCCA 04APR2011	TE Connectivity	
DIMENSIONS: mm		CHK M. ZUCCA 04APR2011		
TOLERANCES UNLESS OTHERWISE SPECIFIED:		APVD G. TURCO 04APR2011	NAME	
0 PLC ±-	1 PLC ±0.3	PRODUCT SPEC	PIN PCB CONNECTOR	
2 PLC ±0.20	3 PLC ±-	APPLICATION SPEC	NECTOR* M-LINE 5 POLES	
4 PLC ±-	ANGLES ±3°	WEIGHT	SIZE A3	CAGE CODE 00779
MATERIAL -	FINISH -	Customer Drawing	DRAWING NO. C-293695	RESTRICTED TO -
			SCALE 2:1	SHEET 1 OF 2
			REV AI	

THIS DRAWING IS UNPUBLISHED.

RELEASED FOR PUBLICATION

2011

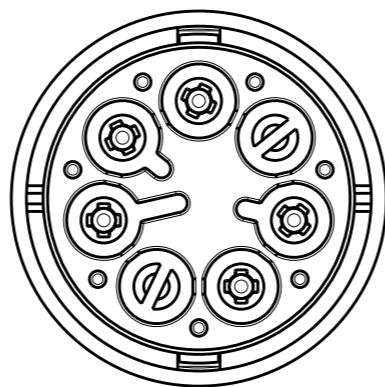
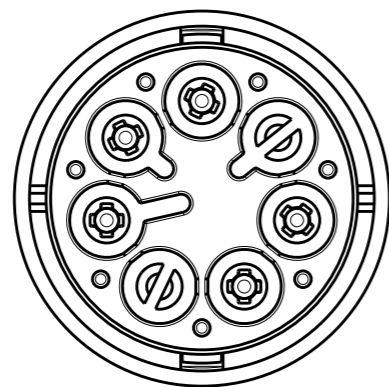
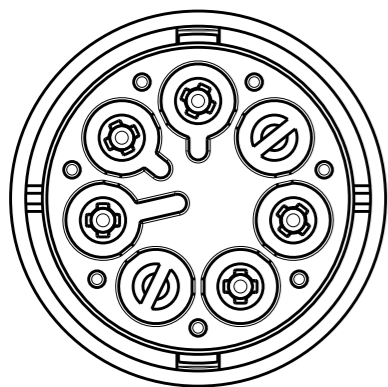
© COPYRIGHT 2011

ALL RIGHTS RESERVED.

LOC	DIST	REVISIONS			
P	LTR	DESCRIPTION	DATE	DWN	APVD
	-	SEE SHEET 1	-	-	-

### POLARIZATION TYPES

POLARIZATION TYPE "A"      POLARIZATION TYPE "B"      POLARIZATION TYPE "C"



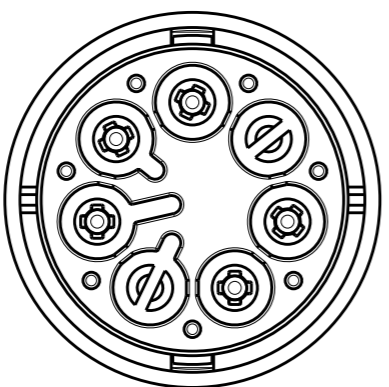
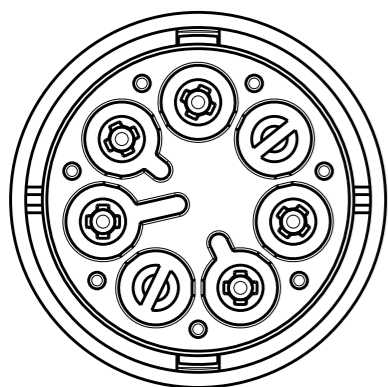
PN 0-293695-1

PN 0-293695-2

PN 0-293695-3

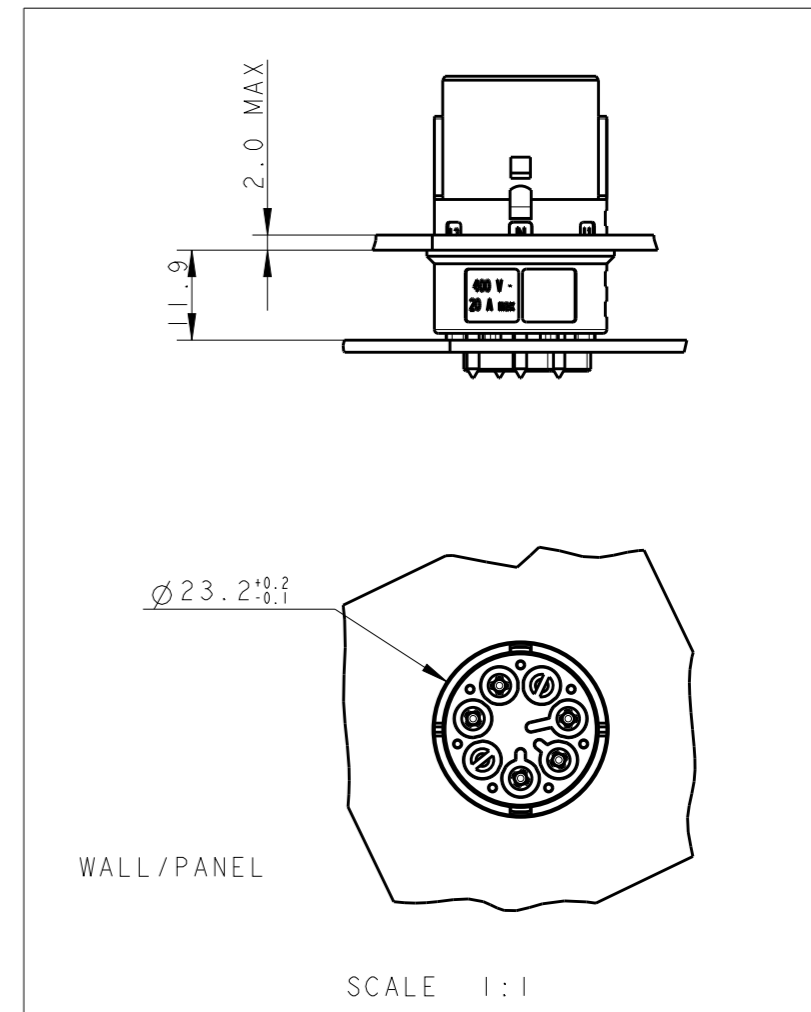
POLARIZATION TYPE "D"

POLARIZATION TYPE "E"



PN ~~0-293695-4~~

PN ~~0-293695-5~~



OBSOLETE		E	NATURAL	PIN PCB CONNECTOR NECTOR* M-LINE 5 POLES	A	<del>0-293695-5</del>
		D	NATURAL	PIN PCB CONNECTOR NECTOR* M-LINE 5 POLES	A	<del>0-293695-4</del>
		C	NATURAL	PIN PCB CONNECTOR NECTOR* M-LINE 5 POLES	A	0-293695-3
		B	NATURAL	PIN PCB CONNECTOR NECTOR* M-LINE 5 POLES	A	0-293695-2
		A	NATURAL	PIN PCB CONNECTOR NECTOR* M-LINE 5 POLES	A	0-293695-1
NOTE		POL. KEYING	COLOUR	DESCRIPTION	REV.	PART NUMBER

THIS DRAWING IS A CONTROLLED DOCUMENT.		DWN M. ZUCCA 04APR2011	TE Connectivity	
DIMENSIONS: mm		CHK M. ZUCCA 04APR2011		
		APVD G. TURCO 04APR2011		
TOLERANCES UNLESS OTHERWISE SPECIFIED:		PRODUCT SPEC	NAME PIN PCB CONNECTOR NECTOR* M-LINE 5 POLES	
0 PLC ±-		APPLICATION SPEC	SIZE CAGE CODE DRAWING NO RESTRICTED TO	
1 PLC ±0.3		WEIGHT	A300779 C-293695	
2 PLC ±0.20			SCALE 2:1 SHEET 2 OF 2 REV A1	
3 PLC ±-				
4 PLC ±-				
ANGLES ±3°				
FINISH -				
MATERIAL -				
		Customer Drawing		