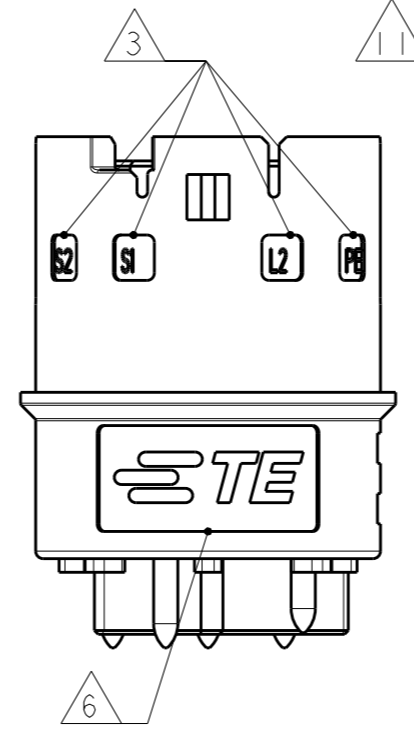
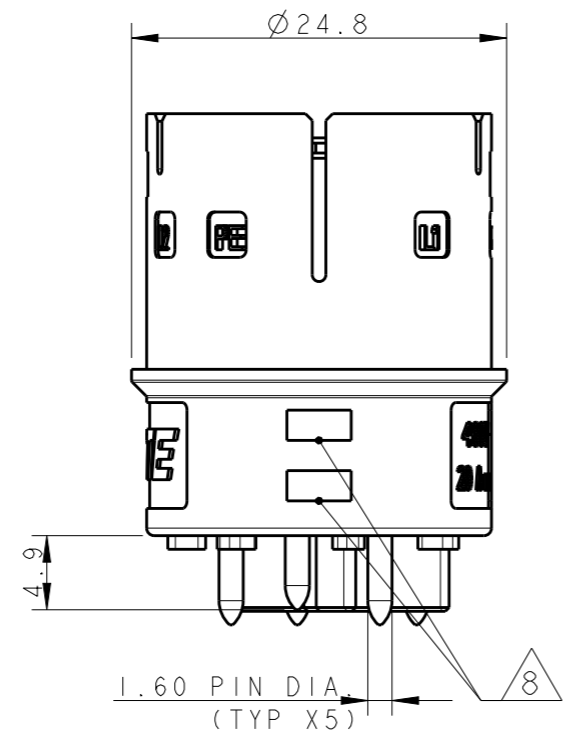
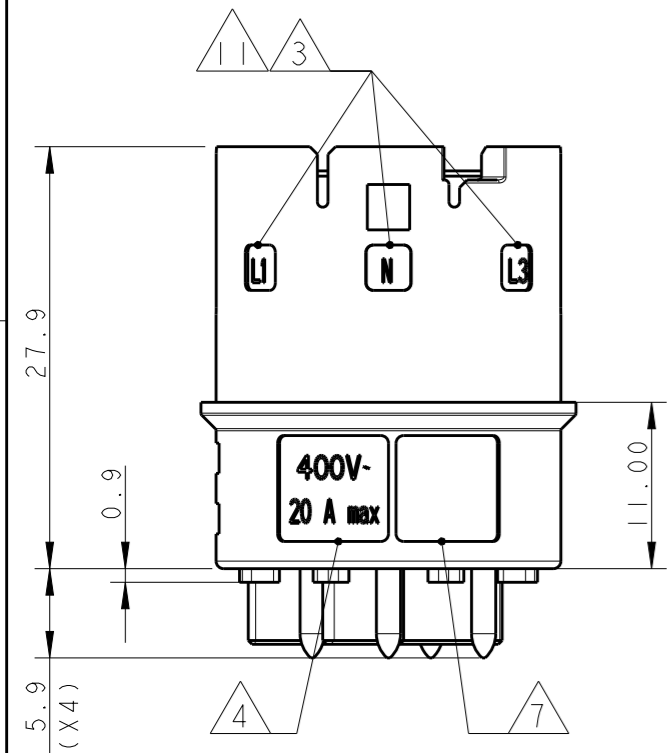
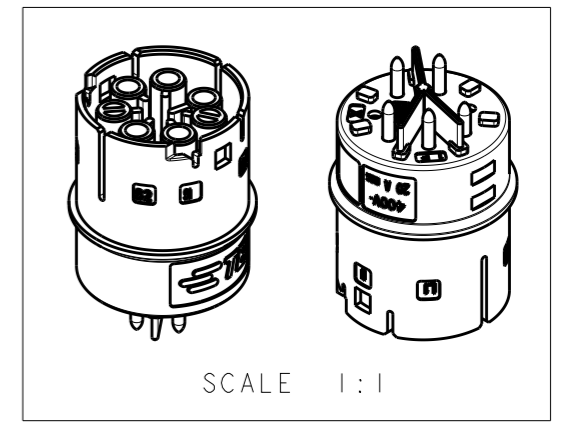
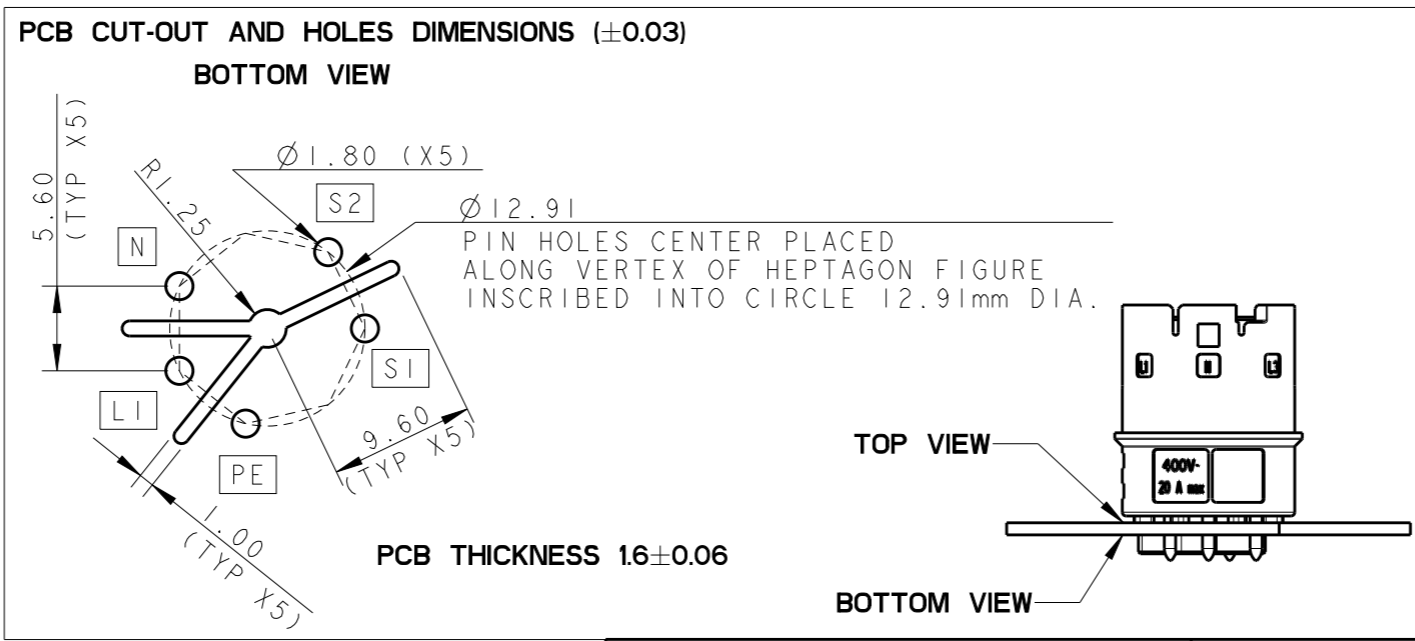
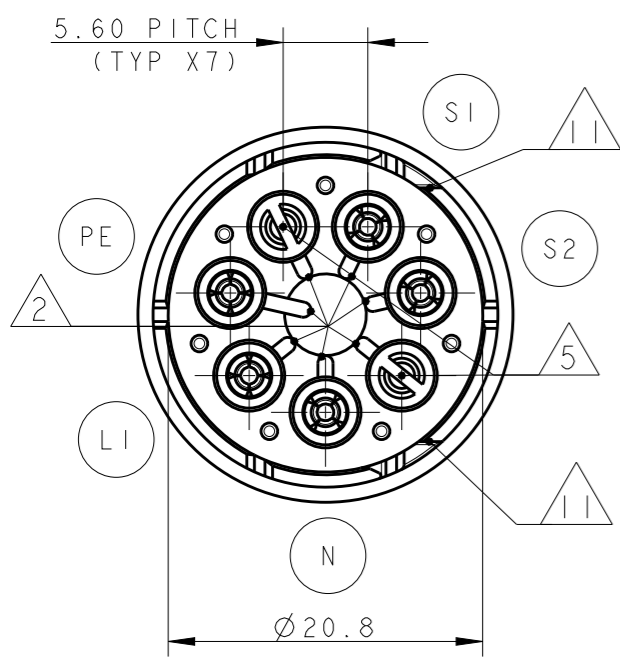


THIS DRAWING IS UNPUBLISHED. RELEASED FOR PUBLICATION 2011
 (C) COPYRIGHT 2011 ALL RIGHTS RESERVED.

LOC	DIST	REVISIONS					
		P	LTR	DESCRIPTION	DATE	DWN	APVD
1	-	A		PARTS RELEASED FOR PRODUCTION	13NOV2013	MZ	JC
		AI		ECR-18-006945	31MAY2018	SR	MZ



- NOTES:
- 1 MATERIAL: PA GF (NATURAL COLOUR)
 - 2 ALL POLARIZATION KEYS SHOWN FOR REF ONLY
 - 3 WAYS I.D.
 - 4 VOLTAGE AND CURRENT RATINGS
 - 5 RIB CLOSING CAVITIES BY CHANGE OVER
 - 6 TE LOGO
 - 7 AREA FOR AGENCIES APPROVAL LOGO
 - 8 VISUAL INDICATOR FOR PE CONDUCTOR
 - 9) SEE C-DRAWING 293682 (LOCKING CAP) TO GET IP 40
 - 10 POLARISATION KEY "TYPE D" SUITABLE FOR DALI APPLICATION
 - 11 SLOTS TO ALLOW DELATCHING TOOL OPERATION. FOR DELATCHING TOOL AND OPERATION REFER TO APPLICATION SPECIFICATION



THIS DRAWING IS A CONTROLLED DOCUMENT.		DWN M. ZUCCA 04APR2011	TE Connectivity	
DIMENSIONS: mm		CHK M. ZUCCA 04APR2011		
TOLERANCES UNLESS OTHERWISE SPECIFIED:		APVD G. TURCO 04APR2011	NAME SOCKET CONNECTOR PCB VERSION NECTOR* M-LINE 5 POLES	
0 PLC ±- 1 PLC ±0.3 2 PLC ±0.20 3 PLC ±- 4 PLC ±- ANGLES ±3°		PRODUCT SPEC -	RESTRICTED TO -	
MATERIAL -		FINISH -	APPLICATION SPEC -	SIZE A300779
			WEIGHT -	CAGE CODE C-293696
			Customer Drawing	DRAWING NO C-293696
			SCALE 2:1	SHEET 1 OF 2
				REV AI

THIS DRAWING IS UNPUBLISHED.

RELEASED FOR PUBLICATION

2011

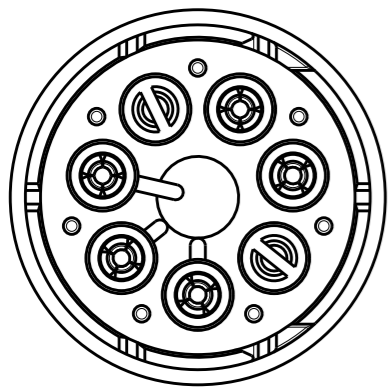
© COPYRIGHT 2011

ALL RIGHTS RESERVED.

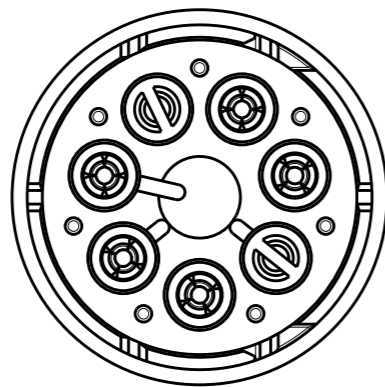
LOC	DIST	REVISIONS			
P	LTR	DESCRIPTION	DATE	DWN	APVD
	-	SEE SHEET 1	-	-	-

POLARIZATION TYPES

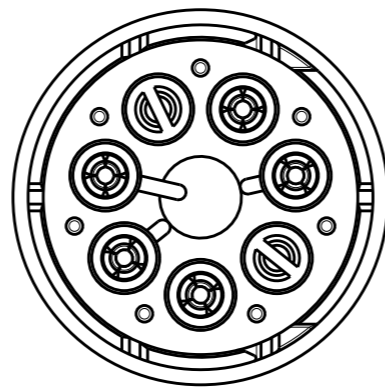
POLARIZATION TYPE "A"	POLARIZATION TYPE "B"	POLARIZATION TYPE "C"
-----------------------	-----------------------	-----------------------



PN 0-293696-1

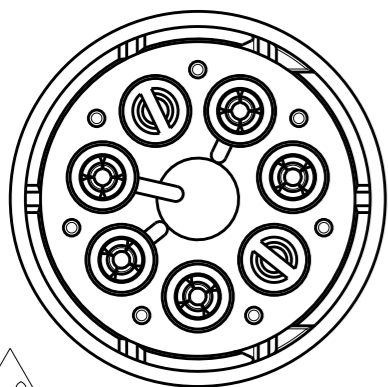


PN 0-293696-2

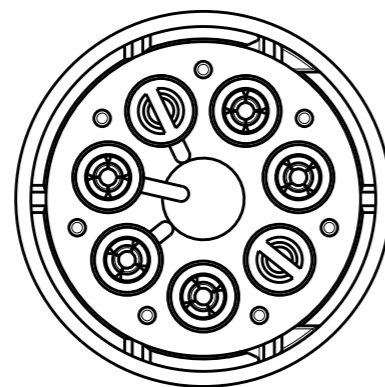


PN 0-293696-3

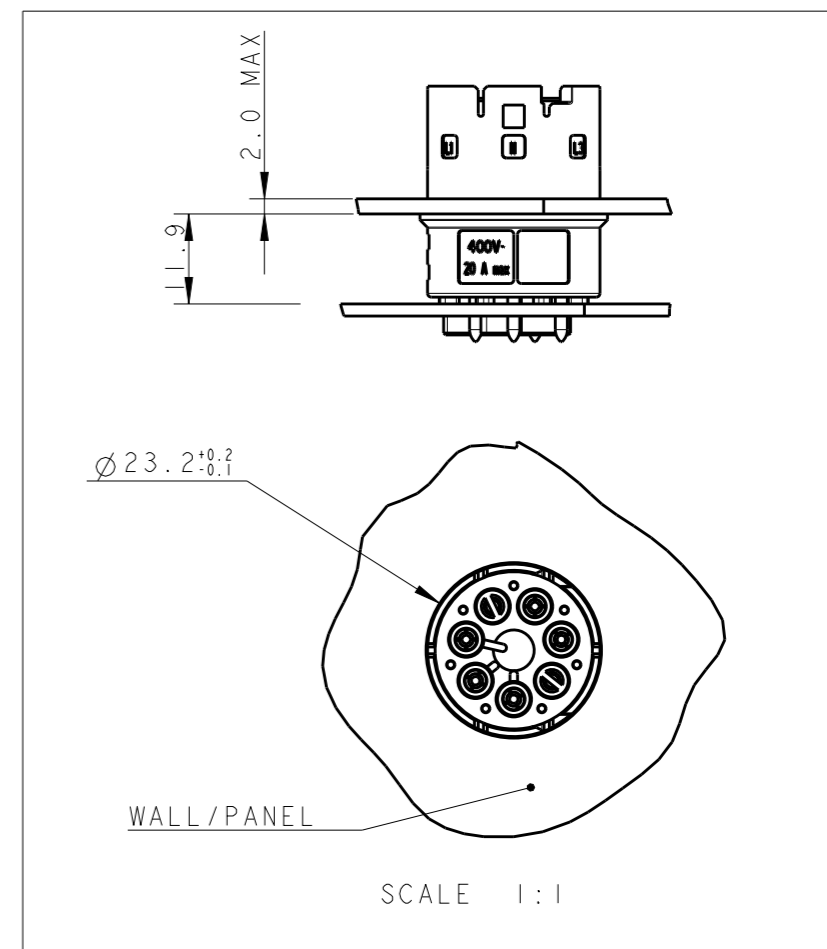
POLARIZATION TYPE "D"	POLARIZATION TYPE "E"
-----------------------	-----------------------



~~PN 0-293696-4~~



~~PN 0-293696-5~~



OBSOLETE		E	NATURAL	SOCKET PCB CONNECTOR, NECTOR* M-LINE 5 POLES	A	0-293696-5
		D	NATURAL	SOCKET PCB CONNECTOR, NECTOR* M-LINE 5 POLES	A	0-293696-4
		C	NATURAL	SOCKET PCB CONNECTOR, NECTOR* M-LINE 5 POLES	A	0-293696-3
		B	NATURAL	SOCKET PCB CONNECTOR, NECTOR* M-LINE 5 POLES	A	0-293696-2
		A	NATURAL	SOCKET PCB CONNECTOR, NECTOR* M-LINE 5 POLES	A	0-293696-1
NOTE		POL. KEYING	COLOUR	DESCRIPTION	REV.	PART NUMBER

THIS DRAWING IS A CONTROLLED DOCUMENT.

DIMENSIONS:
mm

TOLERANCES UNLESS OTHERWISE SPECIFIED:

0 PLC	±0.3
1 PLC	±0.3
2 PLC	±0.20
3 PLC	±0.20
4 PLC	±0.20
ANGLES	±3°

MATERIAL

FINISH

DWN M. ZUCCA 04APR2011

CHK M. ZUCCA 04APR2011

APVD G. TURCO 04APR2011

PRODUCT SPEC

APPLICATION SPEC

WEIGHT

Customer Drawing

STE TE Connectivity

NAME
SOCKET CONNECTOR PCB VERSION
NECTOR* M-LINE 5 POLES

SIZE	CAGE CODE	DRAWING NO	RESTRICTED TO
------	-----------	------------	---------------

A300779 C-293696

SCALE	SHEET	OF	REV
2:1	2	2	A1