

## Profile - UM -PROFIL - 2952020

Please be informed that the data shown in this PDF Document is generated from our Online Catalog. Please find the complete data in the user's documentation. Our General Terms of Use for Downloads are valid (<http://phoenixcontact.com/download>)



Press-drawn section housings, Basic profile, open, length: 2000 mm, cross connection: without bus connector, color: green, Note: profile length = PCB length - 3 mm (UM 25 and UM 45)  
 Profile length = PCB length - 3.6 mm (UM\_72, UM 100, UM\_108)  
 Profile length =PCB length - 9.5 mm (UM\_122)

The figure shows the article with further components

### Your advantages

- UM ...-SES lateral element offers options for labeling with Phoenix Contact marking material
- Fast mounting
- Inexpensive as a result of reducing the number of separate housing parts
- Flexible size and shape
- High degree of mechanical stability by screwing the lateral elements to the profile
- Cable fixing by means of UM ...-SEK lateral element (fixed using cable binders, not supplied as standard)
- The UMK-BF mounting flange enables modules to be mounted directly on the wall



### Key Commercial Data

Packing unit	1 pc
--------------	------

### Configuration

Profile PCB width	108 mm [UM108]
Profile length [cm]	28.00
profile color	Pale green [GN6021]

### Technical data

#### Product properties

Brief article description	Profile
Type	UM -PROFIL
Order No.	2952020
Housing type	Press-drawn section housings
Type	Basic profile

#### Dimensions

Length [ l ]	2000 mm
--------------	---------

# Profile - UM -PROFIL - 2952020

## Technical data

### Dimensions

Depth [ d ]	127.5 mm
-------------	----------

### Material specifications

Housing material	PVC
Color (RAL)	green
Flammability rating according to UL 94	V0

### Ambient conditions

Ambient temperature (operation)	-15 °C ... 50 °C
---------------------------------	------------------

### Packaging specifications

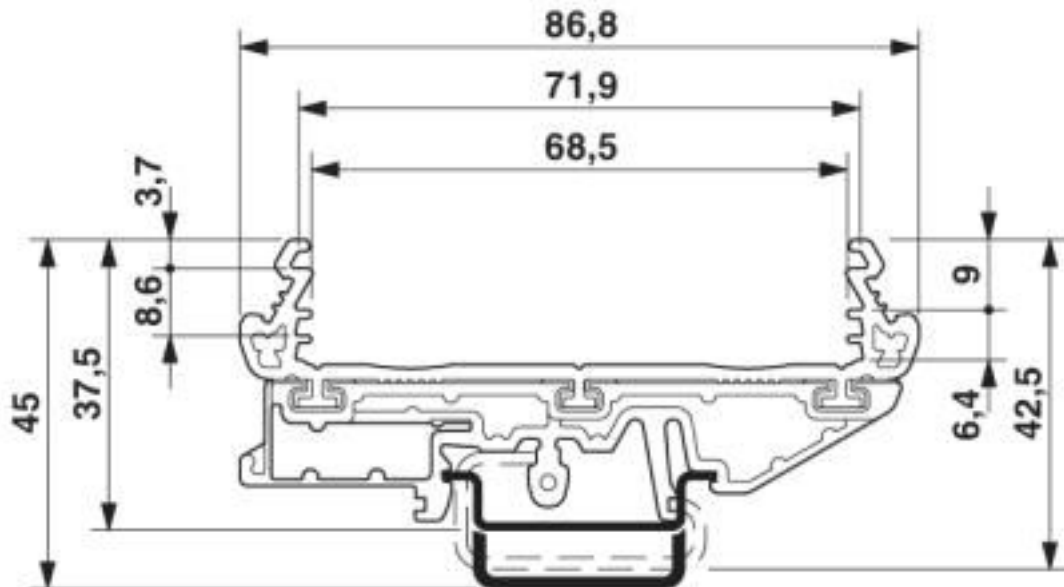
Pieces per package	1
Denomination packing units	Pcs.

### Environmental Product Compliance

China RoHS	Environmentally friendly use period: unlimited = EFUP-e
	No hazardous substances above threshold values

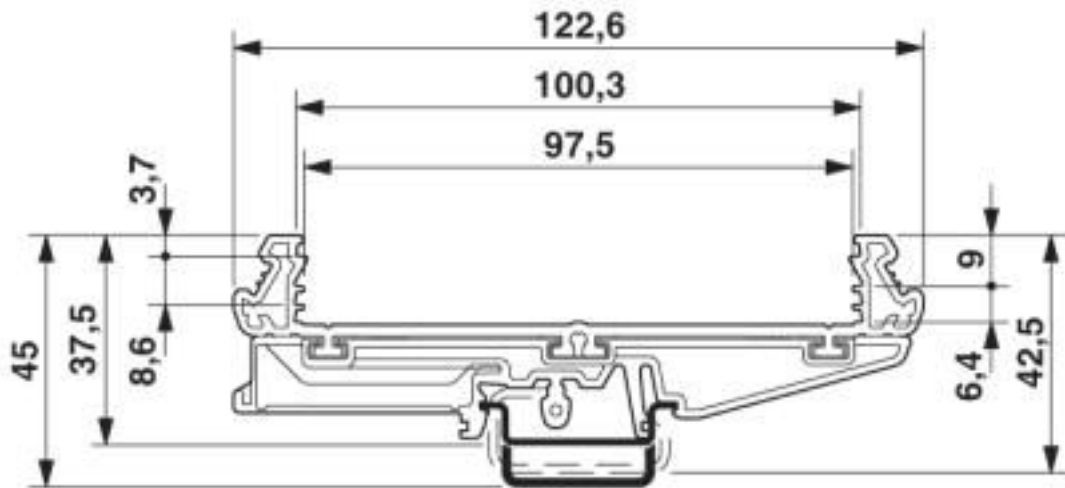
## Drawings

Dimensional drawing

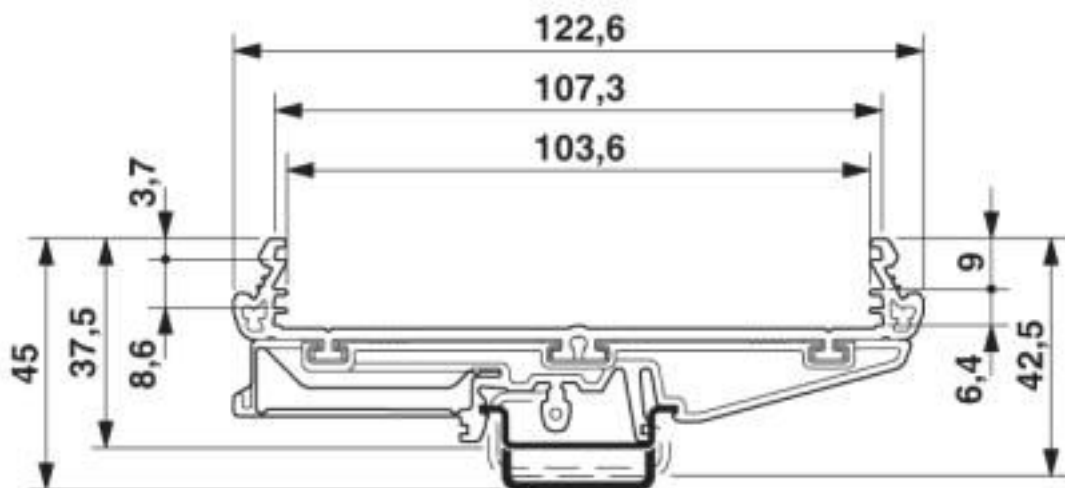


# Profile - UM -PROFIL - 2952020

Dimensional drawing

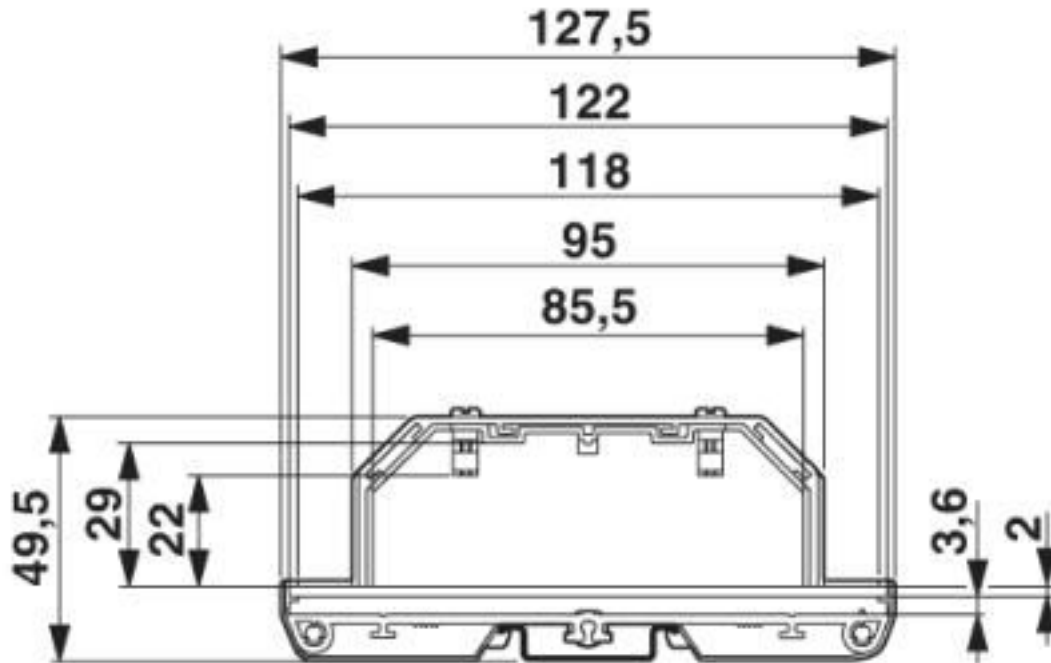


Dimensional drawing

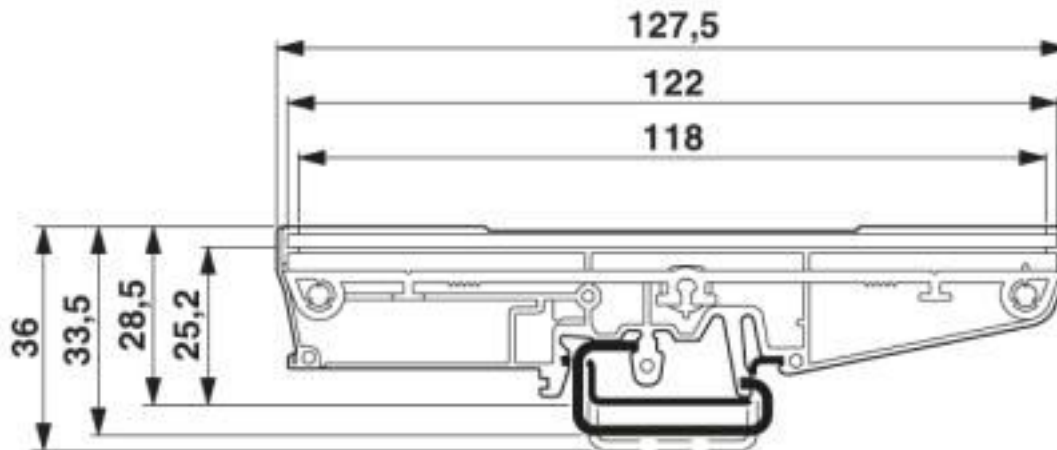


## Profile - UM -PROFIL - 2952020

Dimensional drawing



Dimensional drawing



### Classifications

eCl@ss

eCl@ss 10.0.1	27182701
eCl@ss 4.0	27180400
eCl@ss 4.1	27180400
eCl@ss 5.0	27180500
eCl@ss 5.1	27180500
eCl@ss 6.0	27180800

# Profile - UM -PROFIL - 2952020

## Classifications

### eCl@ss

eCl@ss 7.0	27182701
eCl@ss 8.0	27182701
eCl@ss 9.0	27182701

### ETIM

ETIM 2.0	EC001031
ETIM 3.0	EC001031
ETIM 4.0	EC001031
ETIM 5.0	EC002779
ETIM 6.0	EC002779
ETIM 7.0	EC002779

### UNSPSC

UNSPSC 6.01	31261501
UNSPSC 7.0901	31261501
UNSPSC 11	31261501
UNSPSC 12.01	31261501
UNSPSC 13.2	31261501
UNSPSC 18.0	31261501
UNSPSC 19.0	31261501
UNSPSC 20.0	31261501
UNSPSC 21.0	31261501

## Approvals

### Approvals

---


Approvals

EAC

---

Ex Approvals

### Approval details

EAC		B.01687
-----	---	---------

## Accessories

### Accessories

## Profile - UM -PROFIL - 2952020

### Accessories

#### Cover profile

Insert strip - AP-ES - 5022685



Insert strip, white, unlabeled, mounting type: insert, for terminal block width: 35 mm, lettering field size: 35 x 500 mm

---

#### Device marking

Contact marker - zack marker strip - SS-ZB WH - 5031171



Contact marker - zack marker strip, Strip, white, unlabeled, can be labeled with: CMS-P1-PLOTTER, mounting type: snap into flat marker groove, lettering field size: 20 mm x 8 mm, Number of individual labels: 5

---

Contact marker - zack marker strip - SS-ZB YE - 5031650



Contact marker - zack marker strip, Strip, yellow, unlabeled, can be labeled with: CMS-P1-PLOTTER, mounting type: snap into flat marker groove, lettering field size: 20 mm x 8 mm, Number of individual labels: 5

---

#### Marker carriers

Module marker carrier - PMB - 1004364



Phoenix module marker carrier, for labeling modules and PCBs, for hole diameter 3.9 to 4.1 mm, thickness of wall or board 1.5 - 2.0 mm, labeling with insert strips ESL, EST or ES/LP-BW-GB, lettering field: 29 x 8 mm

---

#### Marker pen

Marker pen - B-STIFT - 1051993



Marker pen, for manual labeling of unprinted Zack strips, smear-proof and waterproof, line thickness 0.5 mm

---

## Profile - UM -PROFIL - 2952020

### Accessories

#### Mounting material

Foot element - UM122-FE - 2909471

UM 122 FE foot element, for UM 122 profile housing



Foot element - UM 72-FE - 2959382

Foot element, 72 mm wide, for mounting on NS 32 or NS 35/7.5, below profile housing UM 72.



Mounting flange - UMK-BF - 2976077

Mounting flange, for mounting directly on the wall



Foot element - UM 25/45-FEO 200 - 2959434

Foot element, is inserted in the profile housing, limit stop with screw. Mounted at right angles to the NS 35/7.5 DIN rail



Foot element - UM108-FE - 2959463

Foot element, 107.5 mm wide, for mounting on NS 32 or NS 35/7.5, below profile housing UM 108.



Panel mounting base side part

## Profile - UM -PROFIL - 2952020

### Accessories

Electronic housing - UM 45-SEAS - 2907554



Panel mounting base, Side cover, with snap-on foot, height: 45 mm, color: green, Note: when using this lateral element, profile length = PCB length.

---

Side element - UM 45-SE - 2906131



Press-drawn section housings, Side cover, without snap-on foot, color: green, Note: when using this lateral element, profile length = PCB length.

---

Side element - UM 45-SES - 2959308



Side element, with marker groove, labeling with SS-ZB. Width: 11 mm, length: 45 mm, height: 21 mm

---

Side element - UM 45-SEK - 2959311



Side element, with cable fixture, 6 mm wide, cables fixed with cable ties, these are not included in the scope of delivery.

---

Side element - UM 45-SEFE O.N. - 2959793



Press-drawn section housings, Lateral element, with snap-on foot, color: green, Note: when using this lateral element, profile length = PCB length.

---



## Profile - UM -PROFIL - 2952020

### Accessories

#### Side element - UM 72-SE - 2959337

Side element, 5 mm wide, PCB width: 72 mm



#### Side element - UM 72-SEPEF/L - 2906487

Side element, left, with foot, width: 5 mm, length: 72 mm, for mounting on NS 32 or NS 35/7.5, with PE contact to the DIN rail



#### Side element - UM 72-SEFE/R - 2959353

Side element, right, with foot, width: 5 mm, width: 72 mm, for mounting on NS 32 or NS 35/7.5



#### Side element - UM 72-SEFE/L - 2959340

Side element, left, with foot, width: 5 mm, length: 72 mm, for mounting on NS 32 or NS 35/7.5



#### Side element - UM108 N-SEPEF/L-A73 - 2709370

Side element with foot, low-profile design, left, for 73 mm wide U-shaped cover, with PE contact to the DIN rail.



## Profile - UM -PROFIL - 2952020

### Accessories

Side element - UM108-SEPEF/L-A73 - 2906513



Side element with foot, tall design, left, for 73 mm wide U-shaped cover, with PE contact to the DIN rail.

---

Side element - UM108-SEPEF/L-A60 - 2906500



Side element with foot, tall design, left-hand, for 60 mm wide U-shaped cover, with PE contact to the DIN rail.

---

Side element - UM108 N-SEFE/L-A73 - 2709367



Side element, with foot, low-profile version, left-hand, for 73 mm wide U-shaped cover.

---

Side element - UM108-SEFE/L - 2959696



Side element with foot, 5 mm wide (left), for mounting on NS 32 or NS 35/7.5. PCB width: 107.5 mm

---

Side element - UM108 N-SEFE/R-A73 - 2709354



Side element, with foot, low-profile version, right-hand, for 73 mm wide U-shaped cover.

---

## Profile - UM -PROFIL - 2952020

### Accessories

Side element - UM108-SEFE/R - 2959683

Side element with foot, 5 mm wide (right), for mounting on NS 32 or NS 35/7.5. PCB width: 107.5 mm



Side element - UM108-SE-A73 - 2959751

Side element, without foot, tall version, for 73 mm wide U-shaped cover.



Side element - UM108-SEFE/R-A60 - 2959706

Side element, with foot, tall version, right-hand, for 60 mm wide U-shaped cover.



Side element - UM108-SEFE/L-A73 - 2959735

Side element, with foot, tall version, left-hand, for 73 mm wide U-shaped cover.



Side element - UM108-SE-A60 - 2959748

Side element, without foot, tall version, for 60 mm wide U-shaped cover.



## Profile - UM -PROFIL - 2952020

### Accessories

Side element - UM108-SEFE/R-A73 - 2959719



Side element, with foot, tall version, right-hand, for 73 mm wide U-shaped cover.

---

Side element - UM108-SE - 2959476



Side element, 5 mm wide, PCB width: 107.5 mm

---

Side element - UM108 N-SE-A73 - 2709383



Side element, without foot, low-profile version, for 73 mm wide U-shaped cover.

---

Side element - UM108-SEFE/L-A60 - 2959722



Side element, with foot, tall version, left-hand, for 60 mm wide U-shaped cover.

---

Side element - UM122-SEFE/R - 2908786



Side element, right, with foot, width: 5 mm wide, length: 122 mm, for mounting on DIN rail NS 32 or NS 35/7.5

---