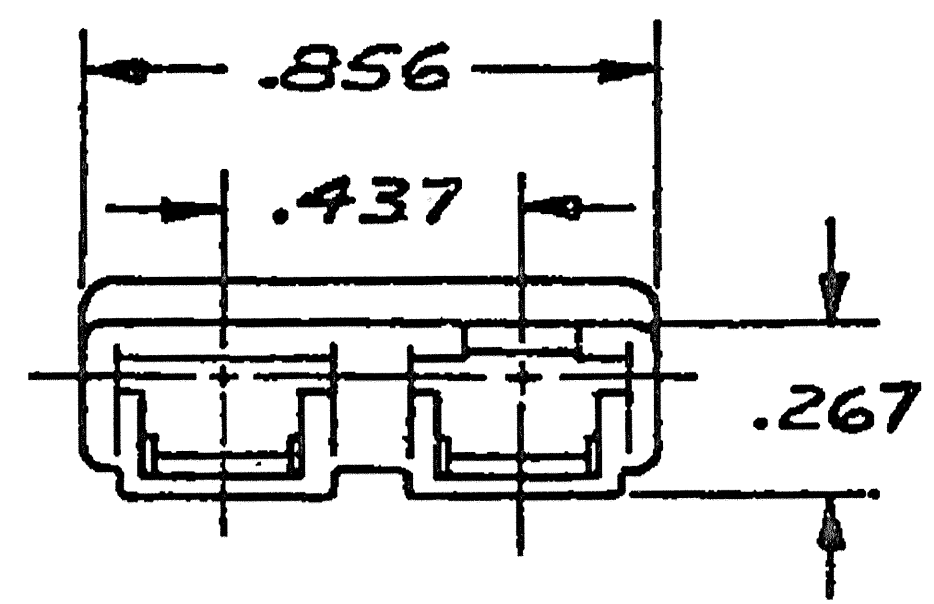
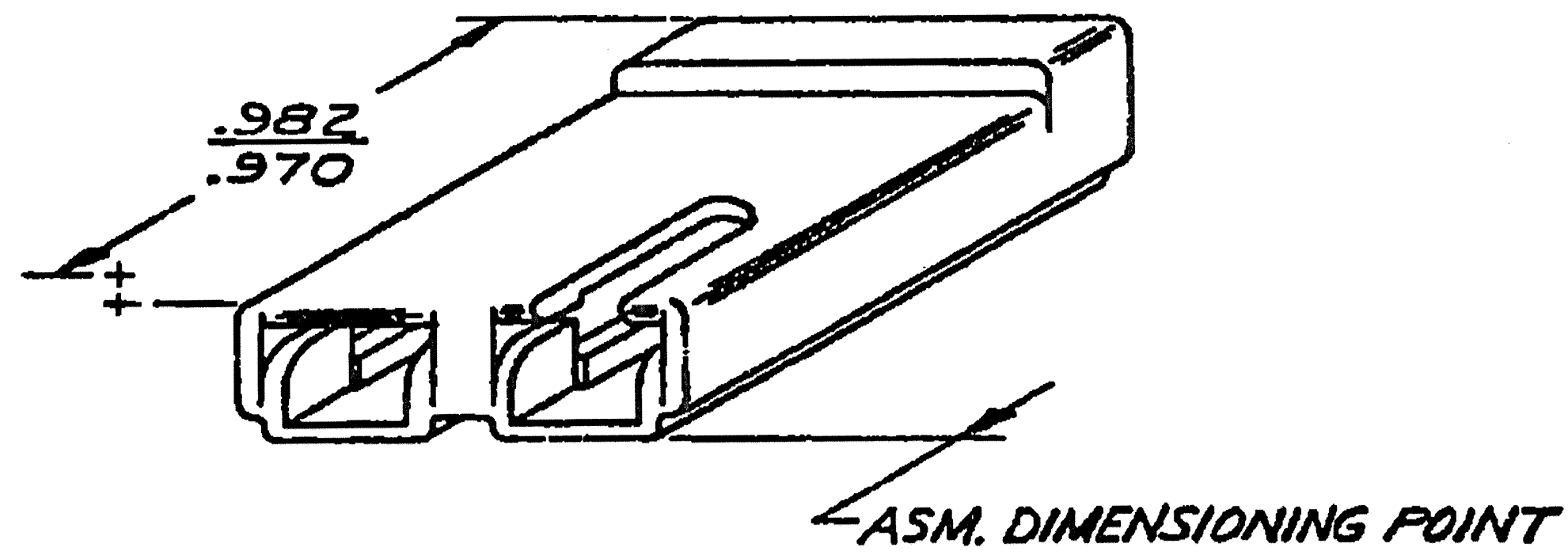


DWG STATUS					ZONE	REVISION HISTORY	AUTH	DR	APVD 1	APVD 2
DATE	STG	REV	N/P	CHG						
20DE04	R	06	-	-		TAXI CREATED, ALL PARTS WERE ON SEPARATE PD'S	262224	MJM	MJM	ET



DELPHI
 DELPHI PACKARD ELECTRIC SYSTEMS
 WARREN, OH

DATE	
DR	
APVD1	M. MAYER 20DE04
APVD2	M. MAYER 20DE04
APVD3	ERIC TRACEY 21DE04
APVD4	
APVD5	
SUBSTANCES OF CONCERN AND RECYCLED CONTENT PER DELPHI 10949001	
MATERIAL SEE CHART	
DRAWING NAME TAXI CONN 56	
DRAWING NUMBER 06294634	
SIZE	A2
SCALE	N/A
FRAME NO	1 OF 1
SHEET NO	1 OF 1
STG	R
REV	06
N/P	-

DWG TYPE: PART DRAWING

STYLE: [Blank]

VOLUME (CM³): [Blank] DISTR CODE: D

UNLESS OTHERWISE SPECIFIED
 THIS DOCUMENT IS IN ACCORDANCE WITH ASME Y14.5M-1994 AS AMENDED BY THE GM GLOBAL DIMENSIONING AND TOLERANCING ADDENDUM - 1997. ALL GEOMETRIC TOLERANCES AND RELATED DATUMS APPLY RFS. RULE #1 (PERFECT FORM AT MMC) DOES NOT APPLY WHEN RELATIONSHIP BETWEEN FEATURES IS ESTABLISHED BY ORIENTATION OR LOCATION TOLERANCES. SEPARATE POSITION CALLOUTS MAY BE GAGED SEPARATELY, REGARDLESS OF DATUM REFERENCE. ALL DIMENSIONS ARE IN INCHES

REFERENCE: [Blank]

THIRD ANGLE PROJECTION

DO NOT SCALE USE MATH DATA

- NOTES
- UNLESS OTHERWISE SPECIFIED AND/OR INDICATED: DIMENSIONS ARE TO FACE OF VIEW SHOWN.
 - MATERIAL RECYCLING CODE PER SAE J1344. (.09)X(.004) RAISED CHARACTERS AS SHOWN TO BE LOCATED ON ANY EXTERIOR SURFACE. OPTIONAL CONSTRUCTION TO BE NO MATERIAL RECYCLING CODE.
 - (.09)X(.004) RAISED DELPHI CORPORATE BRAND TO BE LOCATED ON ANY EXTERIOR SURFACE, PREFERABLY VISIBLE AT FINAL ASSEMBLY. OPTIONAL CONSTRUCTION TO BE "PED" OR NO LOGO.

PART NO	REV	N/P	STATUS	MATERIAL SPEC AND COLOR
06294633	A5	-	OBSOLETE	R-67551 (POLYP-RED)
02977647	03	-	-	M2097001 PP IM BLK

TOLERANCE UNLESS OTHERWISE SPECIFIED

DECIMAL: TWO PLACE ±.01
 THREE PLACE ±.005

ANGULAR ±2°

I:\sec_czt\dwg Part: 06294634-CUS01-S01 Date: 20-Dec-04 Time: 14:23 Message: