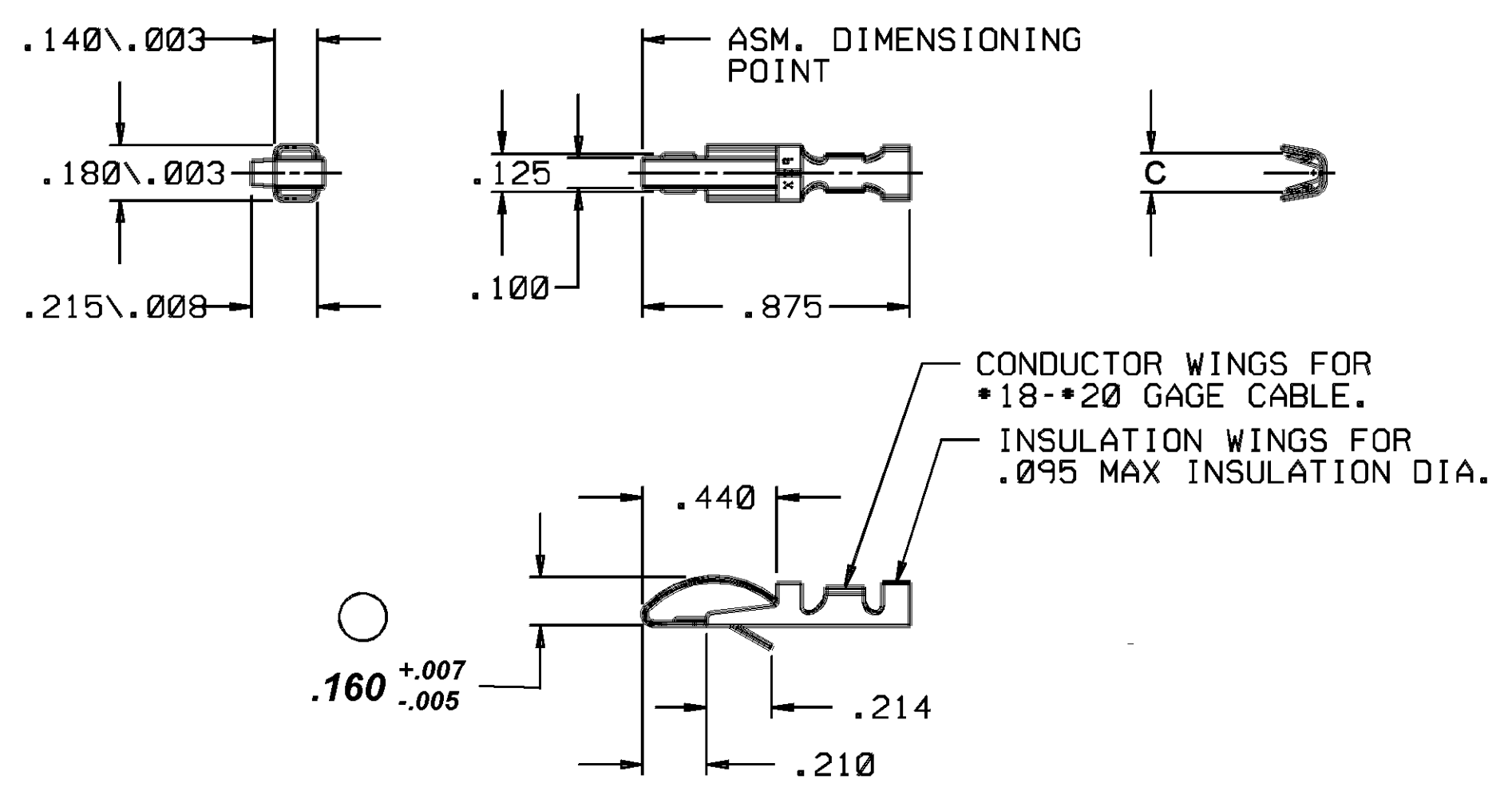


**D** THIS DRAWING AND DESIGN HEREON CONSTITUTES A PROPRIETARY DESIGN OF PACKARD ELECTRIC DIVISION AND IS NOT TO BE DUPLICATED OR REPRODUCED WITHOUT AUTHORITY OF PACKARD ELECTRIC DIVISION.  
DO NOT SCALE

PART NO. 628 8115

PART NO. 628 8115

DATE	SYM	REVISION RECORD	AUTHORITY	DR	CK
19JUN89		ALL PARTS - REDRAWN AND REVISED			
		WITHOUT PHYSICAL CHANGE - REVISION			
		LEVELS REMAIN THE SAME	127071	SM	SM
25JAN90		ALL PARTS - RELOCATED SNOWCONES #18 & #19 - NO REV UPDATE REQ'D	132077	FDS	FDS
04JAN03	03	ALL PARTS - CORRECTED TITLE BLOCK	403356	HM	RS
18DEC09	04	ALL ACTIVE PARTS - DIM .160 +.007/-0.005 WAS .160 AND UPDATED MATERIAL SPEC	409689	DMC	MJF



PACKARD ELECTRIC DIVISION  
MOTORS CORPORATION  
GENERAL WAREHOUSE

PART NO	REV	STATUS	MAT'L SIZE	MAT'L SPEC	PART NO	REV	STATUS	MAT'L SPEC	GAGE	DIA	ID
12066266	D2		.0126 X 1.484	M1519447	12089008	C2		M1574447	20-22	.087-.051	.121 .087
			.0126 X 1.484	M1519447	12047504	C2		M1574447	TWO 18-20	.095-.081	.205
12040658	B	OBSOLETE	.0126 X 1.484	U1519ABV					22-24	.082-.044	.085
			.0126 X 1.484	M1519447	12034315	C2		M1574447	18-20	.095-.081	.120
12020453	C2		.0126 X 1.484	M1519447					TWO 22	.073-.067	.222 .140
12010773	C	OBSOLETE	.0126 X 1.500	U1519AAS					22-24	.082-.044	.085
8911904	C2		.0126 X 1.484	M1519447					12	.145-.139	.165
6288108	G2		.0126 X 1.484	M1519447					14-16 OR TWO 18-20	.120-.101	.205
2984794	F2		.0126 X 1.484	M1519447					18-20	.095-.081	.120
											C
											.015

DETAIL SIZE (D)

PIED/NIRGRAPH MICROSTATION	FILE SPEC: ****USER**** DGN#SPECIFICATION***** *****SYTIME*****
THIRD ANGLE PROJECTION	ENGLISH DIMENSIONS ARE IN INCHES UNLESS OTHERWISE SPECIFIED.
CODE NO. 6900	TOLERANCE UNLESS OTHERWISE SPECIFIED DECIMAL ANGULAR ±2° TWO PLACES ± .01 THREE PLACES ± .005
Q.C.-C-1013	SCALE NONE
DWG. DATE 09FE65	DR. S. REIBOLD 10MR83
EST. NO.	CK. D. BICE DATE 28MR83
REFERENCE NO.	APPR. R. D. KEARNS DATE 05AP83
MATERIAL SPEC.	SEE CHART
NAME	TERM P/C BOW CNCT
PART NO. 628 8115	SIZE D
SHEET 1 OF 1	