

NOTES:

TAPE AND REEL SPECIFICATIONS:

1. TAPE:

MAT'L - ALL CONDUCTIVE POLYSTYRENE CARRIER
ANSI/EIA-481 STANDARD
.945 [24.0] WIDE; .472 [12.0] PITCH

2. REEL:

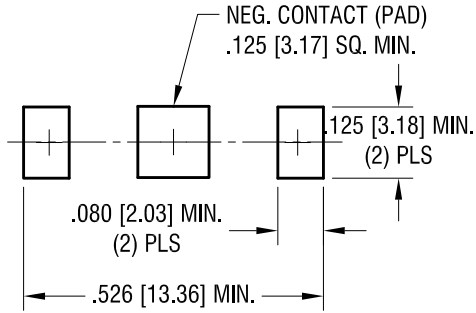
13.0 [330.2] DIA. 800 PIECES OF
PART NO. 2988 PER REEL.

KEYSTONE ELECTRONICS CORP.			
www.keyelco.com • ASTORIA, N.Y. 11105-2017 • Tel (718) 956-8900			
PART NAME			
HEARING AID BATTERY RETAINER ON TAPE			
MATERIAL			
AS NOTED			
FINISH		DRN BY	DATE
AS NOTED		NT	1.14.10
		APP'D	SCALE
		LN	X
TOLERANCES	INCH [MM]	CODE	DWG NO.
DECIMAL	± .015 [± 0.38]	C/M	2988TR
ANGULAR	± 1°		
UNLESS OTHERWISE SPECIFIED			

3.07.12	CHANGE AS PER ECN 12-031	A
DATE	DESCRIPTION	REV.

THIS DOCUMENT IS THE PROPERTY OF KEYSTONE ELECTRONICS CORP. AND SHALL NOT BE REPRODUCED, DISTRIBUTED OR USED AS A BASIS FOR MANUFACTURE WITHOUT PRIOR WRITTEN PERMISSION FROM KEYSTONE ELECTRONICS CORP.

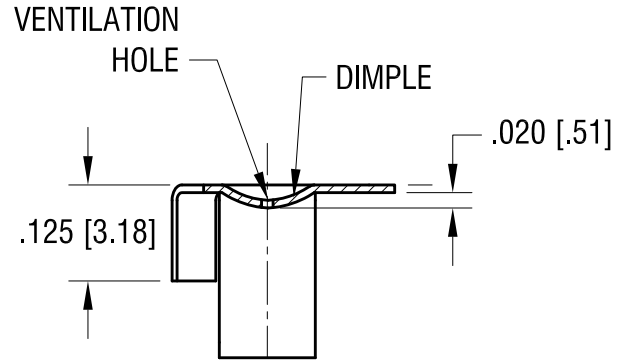
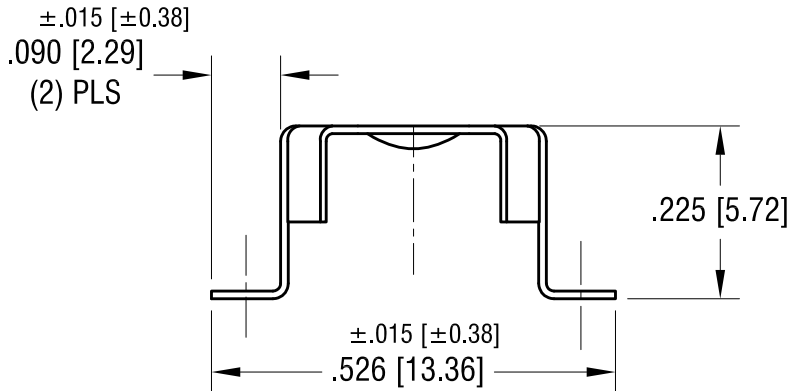
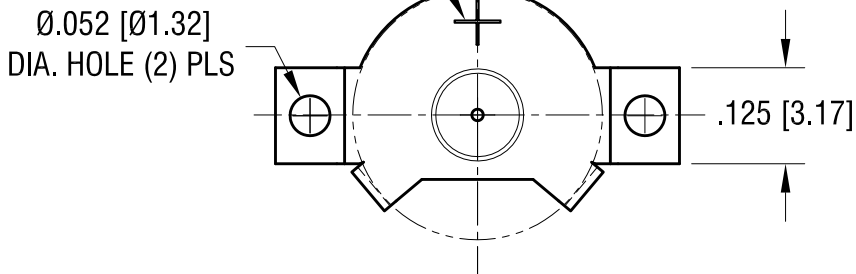
MOUNTING PAD LAYOUT



ACTUAL SIZE



STAMP (+)
AS SHOWN



KEYSTONE ELECTRONICS CORP.

www.keyelco.com • ASTORIA, N.Y. 11105-2017 • Tel (718) 956-8900

PART NAME
SM HEARING AID BATTERY RETAINER (SIZE 13)

MATERIAL
.010 [0.25] TH'K PHOSPHOR BRONZE

FINISH GOLD PLATE	DRN BY NT	DATE 3.22.10
	APP'D LN	SCALE 4X

TOLERANCES	INCH [MM]	CODE	DWG NO.
DECIMAL	± .005 [± 0.13]	C	2988
ANGULAR	± 1°		
UNLESS OTHERWISE SPECIFIED			

11.09.16	CHANGE AS PER ECN 16-094	B
7.31.14	CHANGE AS PER ECN 14-082	A
DATE	DESCRIPTION	REV.