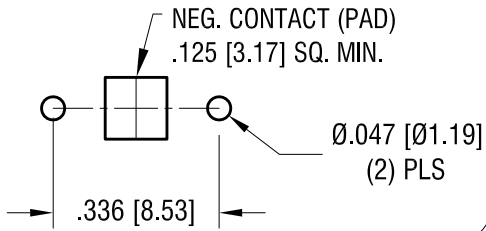
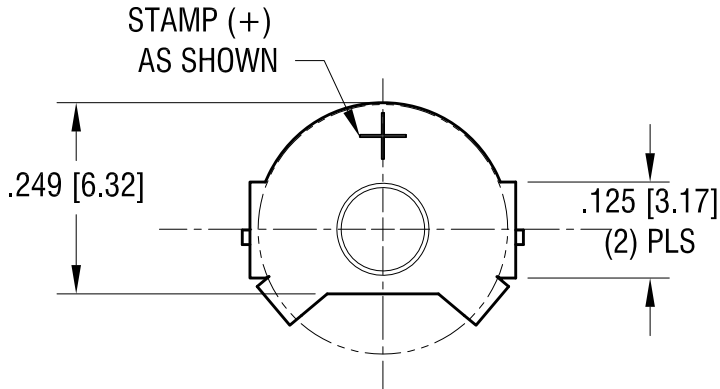
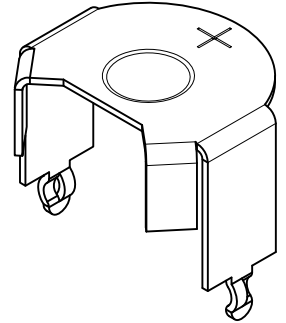


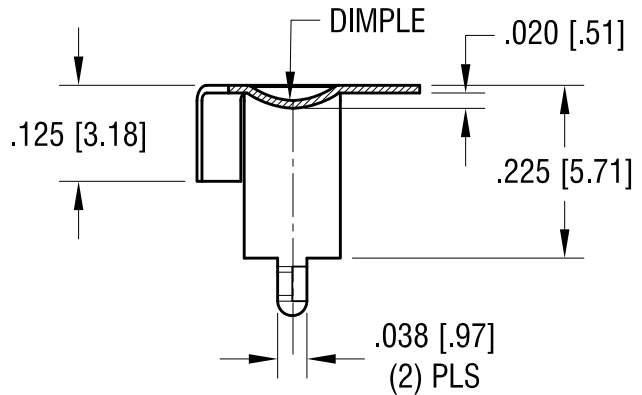
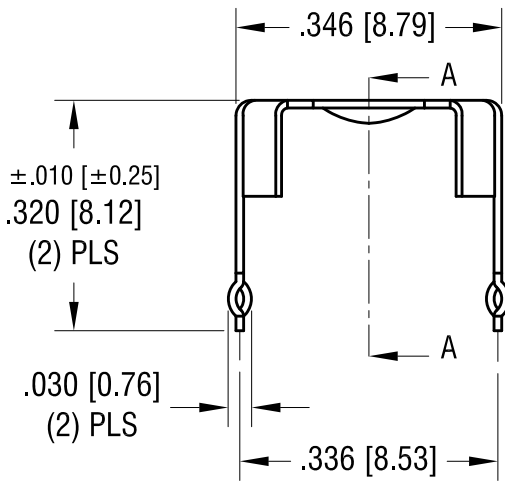
MOUNTING PAD LAYOUT



THIS DOCUMENT IS THE PROPERTY OF KEYSTONE ELECTRONICS CORP. AND SHALL NOT BE REPRODUCED, DISTRIBUTED OR USED AS A BASIS FOR MANUFACTURE WITHOUT PRIOR WRITTEN PERMISSION FROM KEYSTONE ELECTRONICS CORP.



SECTION A-A



7.18.12	CHANGE AS PER ECN 12-086	A
DATE	DESCRIPTION	REV.

KEYSTONE ELECTRONICS CORP.		
www.keyelco.com • ASTORIA, N.Y. 11105-2017 • Tel (718) 956-8900		
PART NAME THM HEARING AID BATTERY RETAINER (SIZE 13)		
MATERIAL .010 [0.25] TH'K PHOSPHOR BRONZE		
FINISH TIN NICKEL PLATE	DRN BY NT	DATE 5.04.11
	APP'D LN	SCALE 4X
TOLERANCES INCH [MM] DECIMAL ±.005 [±0.13] ANGULAR ± 1° UNLESS OTHERWISE SPECIFIED	CODE C	DWG NO. 2989