

# PRODUCT DATA DRAWING

REVISION HISTORY			
REV	DESCRIPTION	DATE	APPROVED
A	DCN 34051	03/06	STW

**MATERIAL:**

BODY,  
HEX NUT &  
LOCK WASHER: STAINLESS STEEL PER AMS-5640,  
ALLOY UNS S30300, TYPE 1

CONTACT: BERYLLIUM COPPER PER ASTM B196,  
ALLOY No. UNS C17300, TD04

INSULATOR: PTFE PER ASTM D1710, TYPE I, GRADE 1, CLASS B

O-RING: SILICONE RUBBER PER A-A-59588,  
CLASS 2B, GRADE 50/60

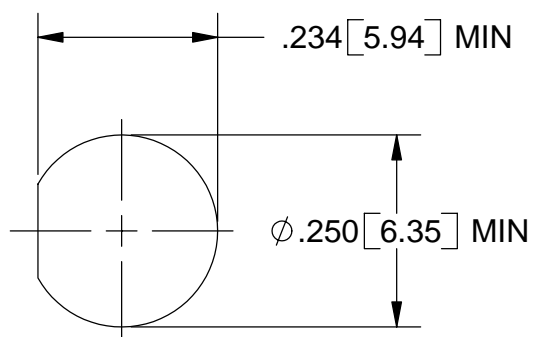
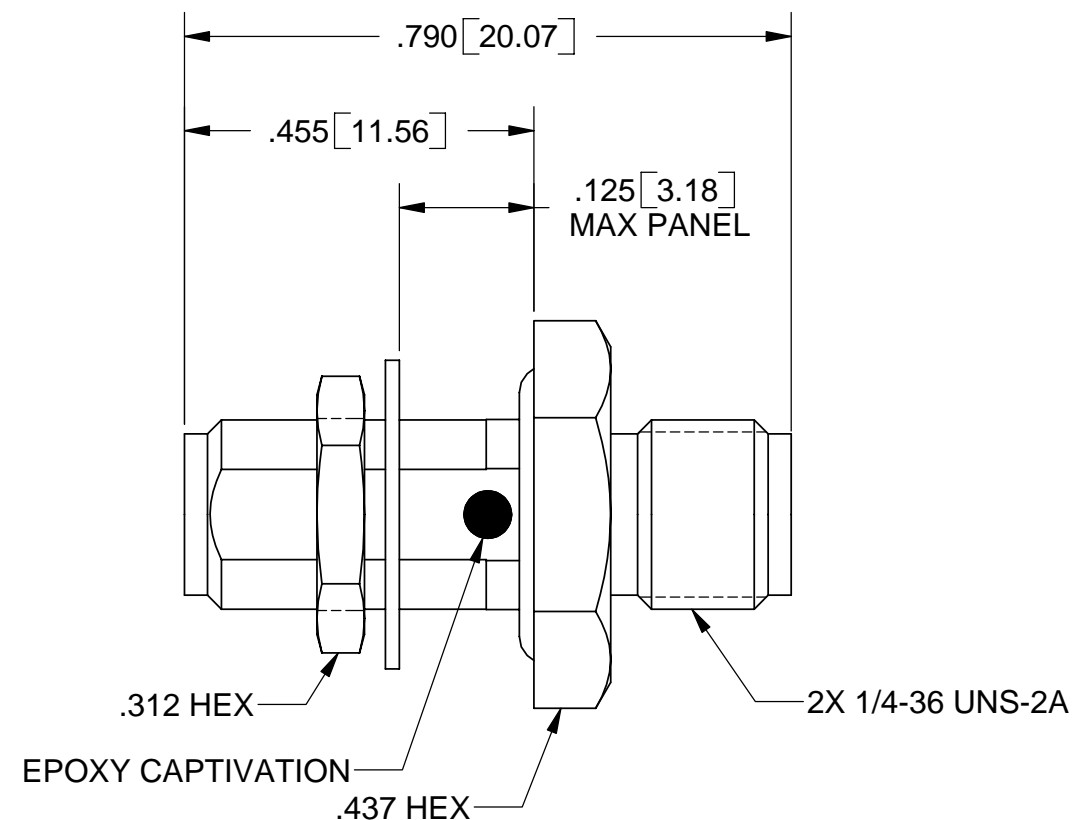
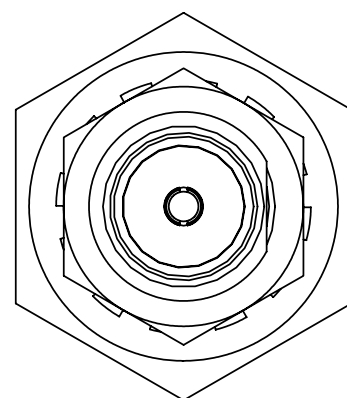
**FINISH:**

BODY,  
HEX NUT &  
LOCK WASHER: GOLD PER ASTM B488, TYPE II,  
CODE C, CLASS 0.50; OVER NICKEL  
PER AMS-QQ-N-290, CLASS 1, .00005"

CONTACT: GOLD PER ASTM B488, TYPE II,  
CODE C, CLASS 0.76; OVER NICKEL  
PER AMS-QQ-N-290, CLASS 1, .00005" MIN.

**PERFORMANCE:**

IMPEDANCE: 50 OHMS  
FREQ. RANGE: DC TO 18.0 GHz  
DWV: 1000 VRMS  
INSUL RESISTANCE: 5000 MEGOHMS



## RECOMMENDED MOUNTING HOLE

MATERIAL: SEE NOTES	DIMENSIONS ARE IN INCHES TOLERANCES: FRACTIONAL: ±1/64 ANGULAR: X° ±1'0" X'X' ±15'	UNLESS OTHERWISE SPECIFIED	<b>SV Microwave, Inc.</b> 2400 Centrepark West Drive, Suite 100 West Palm Beach, FL 33409 TITLE: <b>SMA JACK TO JACK BULKHEAD ADAPTER</b>
FINISH: SEE NOTES	DECIMAL: .X ±.030 .XX ±.010 .XXX ±.005	1) ALL DIMENSIONS ARE IN INCHES (MILLIMETERS) 2) ALL DIMENSIONS ARE AFTER PLATING. 3) BREAK CORNERS & EDGES .005 R. MAX. 4) CHAM. 1ST & LAST THREADS. 5) SURFACE ROUGHNESS 63 MIL-STD-10. 6) DIA.'S ON COMMON CENTERS TO BE CONCENTRIC WITHIN .005 T.I.R. 7) REMOVE ALL BURRS	
SURFACE AREA: N/A	INTERPRET DIMENSIONS AND TOLERANCES PER ASME Y14.5M - 1994	THIRD ANGLE PROJECTION	DRAWN: MEB 03/16/06 CHECKED: ND 08/15/80 APPROVED: DGG 08/18/80
PROPRIETARY THE INFORMATION CONTAINED IN THIS DRAWING IS THE SOLE PROPERTY OF SV MICROWAVE, INC. ANY REPRODUCTION IN PART OR AS A WHOLE WITHOUT THE WRITTEN PERMISSION OF SV MICROWAVE, INC IS PROHIBITED.	DRAWN: MEB 03/16/06 CHECKED: ND 08/15/80 APPROVED: DGG 08/18/80	SIZE: <b>B</b> CAGE CODE: <b>95077</b> DWG. NO.: <b>2990-6002</b> SCALE: 4:1	SHEET 1 OF 1