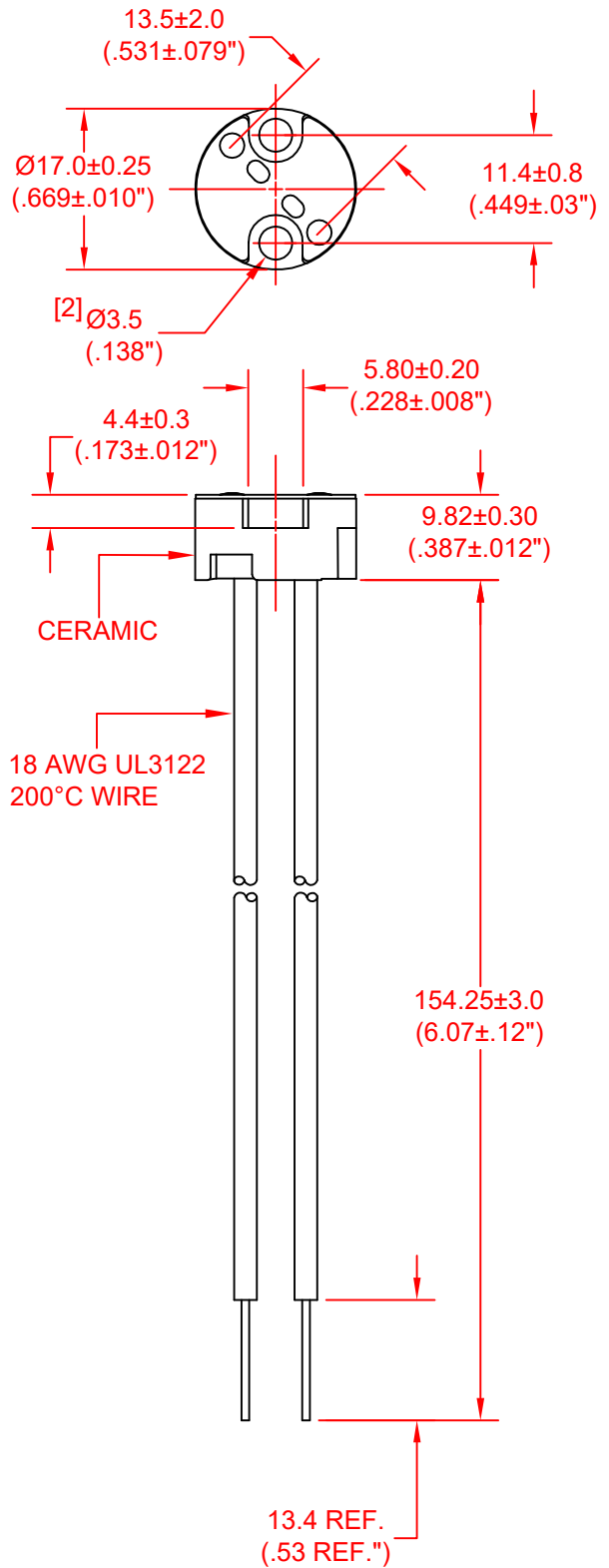
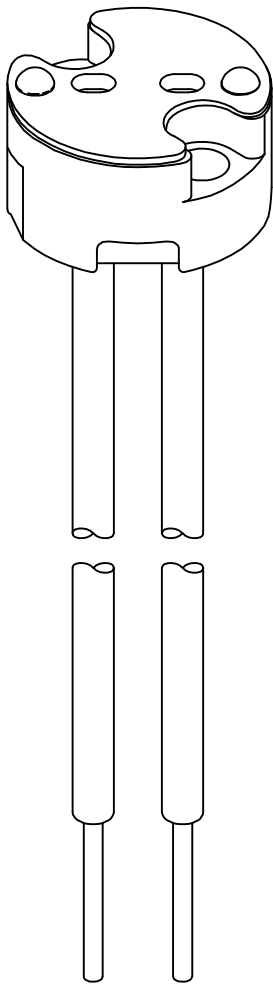


**NOTES:**

1. MAX Electrical Rating: 250 Volts, 100 Watts
2. Use with G4, GX5.3 or G6.35 Style lamps/L.E.D.s
3. Contact retention force 2.0-4.0 lbs per contact
4. Ceramic Body Socket



C	ADD NOTE 4 AND MAX RATING NOTE 1	9/08/21
B	ADD NOTES	2/11/13
A	ADD PIN SPACING DIMENSION	10/31/08
	RELEASED	11/26/07

**METRIC**

THIRD ANGLE PROJECTION

DIMENSIONS ARE IN mm (INCHES)

TOLERANCE UNLESS OTHERWISE SPECIFIED

1 PL +/- REF. ANGLE +/-

2 PL +/- REF. ANGLE +/-

DRAWN BY: L. WENGSTROM

APPVD BY: S.N. 9/8/21

DATE: 9/8/21

- CAD DRAWING -  
MANUAL REVISIONS NOT PERMITTED

**JKL COMPONENTS CORPORATION**

TITLE: MR16 LAMP SOCKET

SIZE: NONE

FSCM NO.:

DRAWING NO. 2993-G6

RELEASED DATE: 11/26/07

REVISION DATE: 9/8/21

REV. NO. C

SHEET 1 OF 1