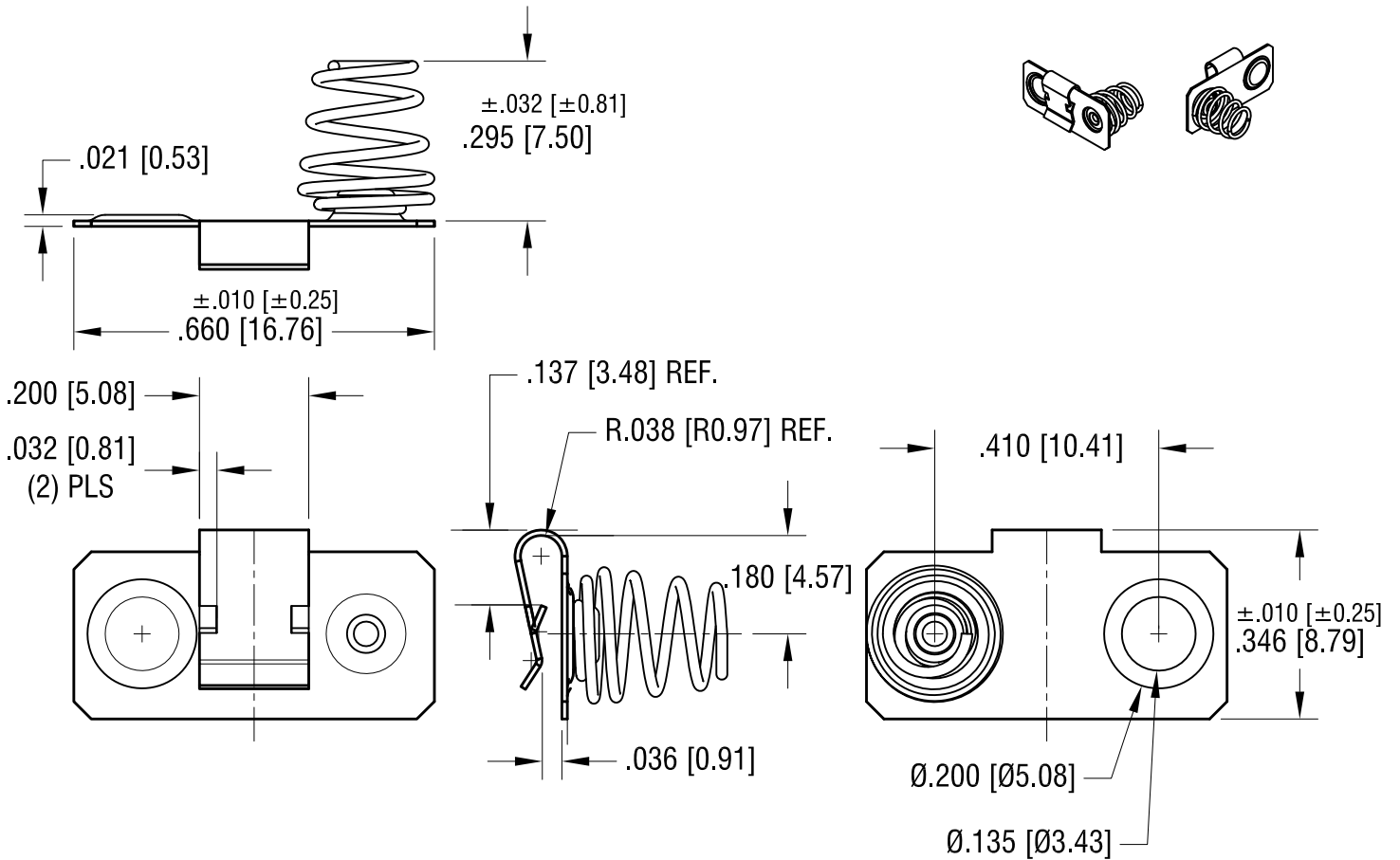


THIS DOCUMENT IS THE PROPERTY OF
KEYSTONE ELECTRONICS CORP. AND
SHALL NOT BE REPRODUCED, DISTRIBUTED
OR USED AS A BASIS FOR MANUFACTURE
WITHOUT PRIOR WRITTEN PERMISSION
FROM KEYSTONE ELECTRONICS CORP.

ACTUAL SIZE



1. BASE:
MAT'L - .010 [0.25] TH'K SPRING STEEL
2. SPRING CONTACT:
MAT'L - .020 [0.50] DIA. MUSIC WIRE
3. SPRING EYELETED TO BASE

KEYSTONE ELECTRONICS CORP.			
www.keyelco.com • NEW HYDE PARK, NY 11040 • Tel (516) 328-7500			
PART NAME DUAL SPRING CONTACT, 'AAA' - 'AAAA'			
MATERIAL AS NOTED			
FINISH NICKEL PLATE		DRN BY NT	DATE 10.25.17
		APP'D LN	SCALE 3X
10.16.18	CHANGE AS PER ECN 18-041	A	
DATE	DESCRIPTION	REV.	
TOLERANCES INCH [MM] DECIMAL ±.005 [±0.13] ANGULAR ± 1° UNLESS OTHERWISE SPECIFIED		CODE C	DWG NO. 299