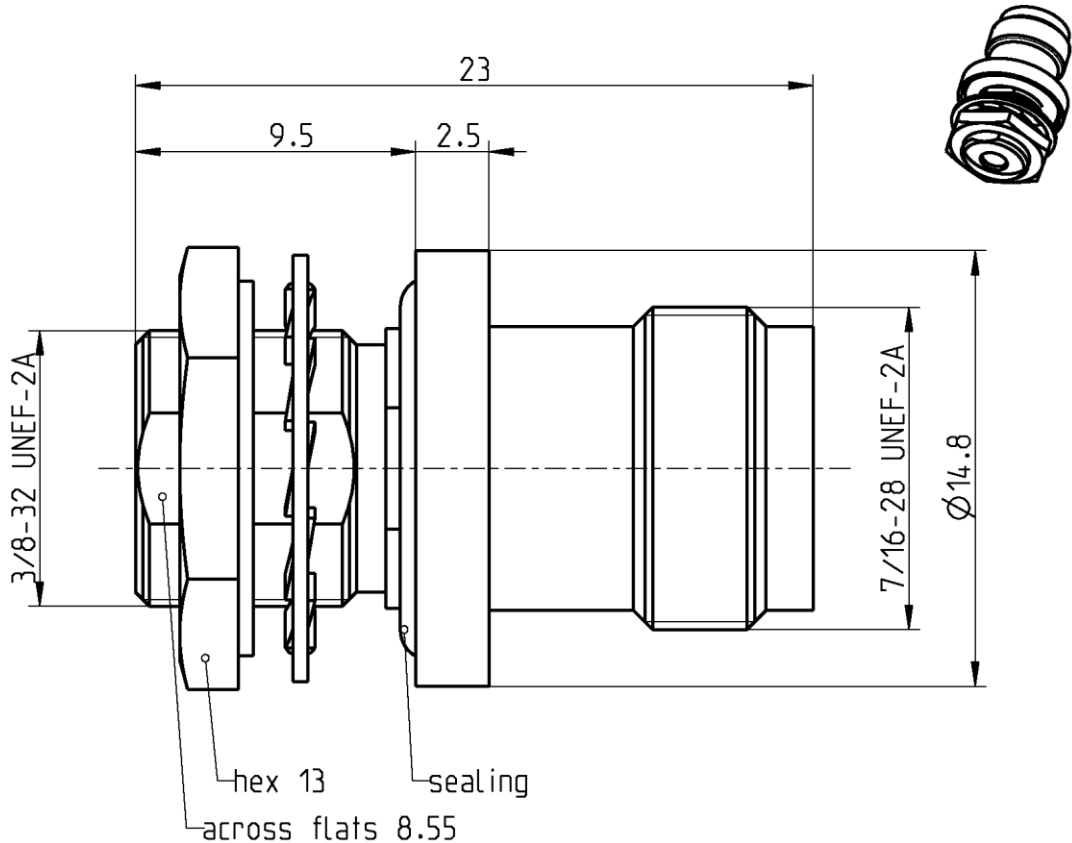


MCX

Adaptor
MCX Jack –
TNC 50 Ω Jack

29K556-K00A5



All dimensions are in mm; tolerances according to ISO 2768 m-H

Interface

According to	MCX side:	CECC 22220, IEC 61169-36
	TNC side:	IEC 60169-17, MIL-PRF-39012, DIN EN 122200

Documents

Panel piercing	B 2
----------------	-----

Material and plating

Connector parts

Center contact
Outer contact MCX side
Outer contact TNC side
Dielectric

Material

CuBe
Brass
Brass
PTFE

Plating

AuroDur®, gold plated
Nickel, 2.5-5 μ m
Nickel, 2.5-5 μ m

Dieses Dokument ist urheberrechtlich geschützt • This document is protected by copyright • Rosenberger Hochfrequenztechnik GmbH & Co. KG

RF_35/09.14/6.2

MCX Adaptor
MCX Jack –
TNC 50 Ω Jack

29K556-K00A5

Electrical data

Impedance	50 Ω	
Frequency	DC to 6 GHz	
Return loss	≥ 30 dB, DC to 2 GHz	
	≥ 28 dB, 2 to 4 GHz	
	≥ 20 dB, 4 to 6 GHz	
Insertion loss	≤ 0.05 x √f(GHz) dB	
Insulation resistance	≥ 1 GΩ	
Center contact resistance	≤ 5.0 mΩ, MCX side;	≤ 1.5 mΩ, TNC side
Outer contact resistance	≤ 2.5 mΩ, MCX side;	≤ 1 mΩ, TNC side
Test voltage	750 V rms	
Working voltage	335 V rms	
Contact Current	1.5A DC max.	

Mechanical data

	MCX side	TNC side
Mating cycles	≥ 500	min. 500
Center contact captivation: axial	≥ 27 N	≥ 27 N
Engagement force	≤ 25 N	N/A
Disengagement force	8 N min. to 20 N max.	N/A
Coupling test torque	N/A	max. 1.7 Nm
Recommended torque	N/A	0.46 Nm to 0.69 Nm

Environmental data

Temperature range	-55°C to +155°C
Thermal shock	CECC 22 220, Chapter 4.6.7
Vibration	CECC 22 220, Chapter 4.6.3
Corrosion	CECC 22 220, Chapter 4.6.10
Moisture resistance	CECC 22 220, Chapter 4.6.6
RoHS	compliant

Tooling

N/A

Suitable cables

N/A

Weight

Weight 11.4 g/pce

While the information has been carefully compiled to the best of our knowledge, nothing is intended as representation or warranty on our part and no statement herein shall be construed as recommendation to infringe existing patents. In the effort to improve our products, we reserve the right to make changes judged to be necessary.

For the installation of the electrotechnical equipment, particular electrotechnical expertise is required.



Dieses Dokument ist urheberrechtlich geschützt • This document is protected by copyright • Rosenberger Hochfrequenztechnik GmbH & Co. KG

RF_35/09.14/6.2

Draft	Date	Approved	Date	Rev.	Engineering change number	Name	Date
König A.	11.05.07	Chr. Janßen	04.11.20	b00	20-1927	S. Huber-Siegl	04.11.20
Rosenberger Hochfrequenztechnik GmbH & Co. KG P.O.Box 1260 D-84526 Tittmoning Germany www.rosenberger.de						Tel. : +49 8684 18-0 Email : info@rosenberger.de	
						Page 2 / 2	