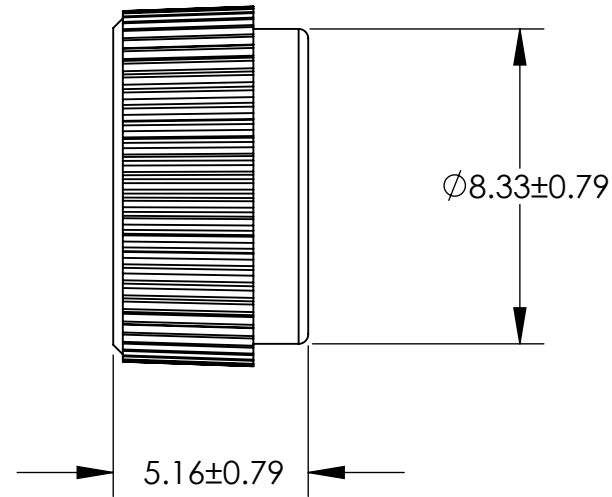
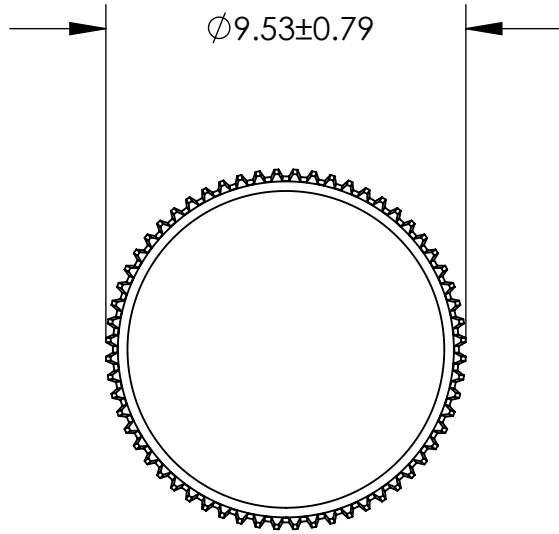


UNCONTROLLED DOCUMENT

NOTE:
PRESSES ONTO M3 SOCKET HEAD CAP SCREW.



ALL DIMENSIONS ARE IN MILLIMETERS
TOLERANCES UNLESS NOTED

$\pm .13$ MM ON DIMENSIONS THRU 15.88MM
 $\pm .20$ MM ON DIMENSIONS 15.89MM THRU 25.41MM
 $\pm .25$ MM ON DIMENSIONS 25.42MM THRU 38.10MM
 $\pm .38$ MM ON DIMENSIONS LARGER THAN 38.10MM

WE RESERVE THE RIGHT
TO DISCONTINUE ITEMS,
CHANGE SPECIFICATIONS
OR DESIGN AT ANY TIME
WITHOUT NOTICE AND
WITHOUT INCURRING
ANY OBLIGATIONS

PROPERTY OF
MICRO PLASTICS INC.

CATALOG DRAWING
METRIC ROUND HEAD KNOB
MICRO P/N 29M300RWT
DWG. # 29M300RWT
FILE SERVER\ENG\WEB

MATERIAL: ACETAL; WHITE

DATE

SCALE
5:1

DB