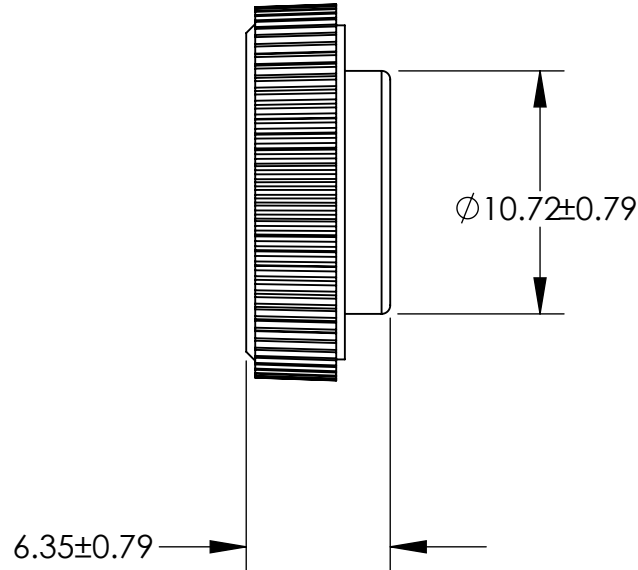
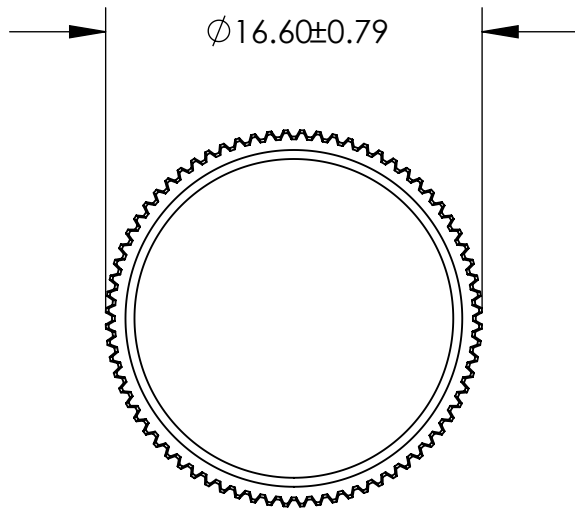


UNCONTROLLED DOCUMENT

NOTE:
PRESSES ONTO M5 SOCKET HEAD CAP SCREW.



ALL DIMENSIONS ARE IN MILLIMETERS
TOLERANCES UNLESS NOTED

- ±.13MM ON DIMENSIONS THRU 15.88MM
- ±.20MM ON DIMENSIONS 15.89MM THRU 25.41MM
- ±.25MM ON DIMENSIONS 25.42MM THRU 38.10MM
- ±.38MM ON DIMENSIONS LARGER THAN 38.10MM

WE RESERVE THE RIGHT
TO DISCONTINUE ITEMS,
CHANGE SPECIFICATIONS
OR DESIGN AT ANY TIME
WITHOUT NOTICE AND
WITHOUT INCURRING
ANY OBLIGATIONS

PROPERTY OF
MICRO PLASTICS INC.

CATALOG DRAWING
METRIC ROUND HEAD KNOB
MICRO P/N 29M500RWT
DWG. # 29M500RWT
FILE SERVER\ENG\WEB

MATERIAL: ACETAL; WHITE

DATE	SCALE 3:1	DB
------	--------------	-----------