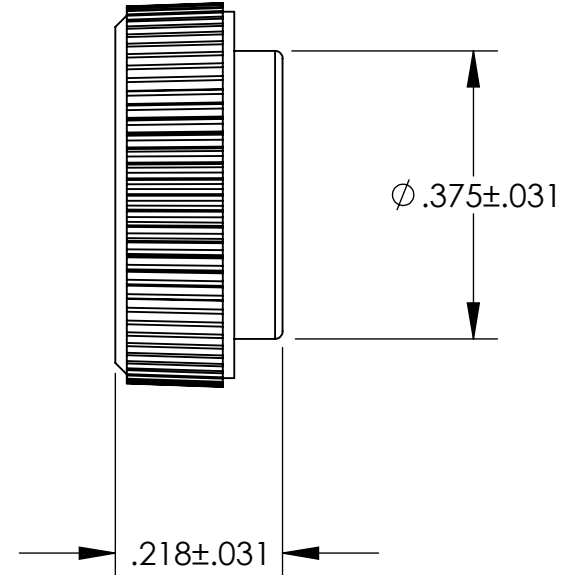
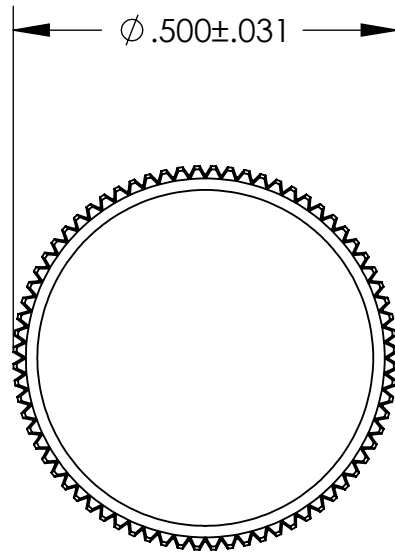


UNCONTROLLED DOCUMENT

NOTE:
PRESSES ONTO A #8 SOCKET HEAD CAP SCREW.



TOLERANCES UNLESS NOTED

- $\pm .005$ ON DIMENSIONS THRU $.625$
- $\pm .008$ ON DIMENSIONS $.626$ THRU 1.000
- $\pm .010$ ON DIMENSIONS 1.001 THRU 1.500
- $\pm .015$ ON DIMENSIONS LARGER THAN 1.500
- $\pm .015$ ON FRACTIONAL DIMENSIONS

WE RESERVE THE RIGHT
TO DISCONTINUE ITEMS,
CHANGE SPECIFICATIONS
OR DESIGN AT ANY TIME
WITHOUT NOTICE AND
WITHOUT INCURRING
ANY OBLIGATIONS

PROPERTY OF
MICRO PLASTICS INC.

CATALOG DRAWING
ROUND HEAD KNOB
MICRO P/N 29R008BL
DWG. # 29R008BL
FILE SERVER\ENG\WEB

MATERIAL: ACETAL; BLUE

DATE

SCALE
4:1

DB