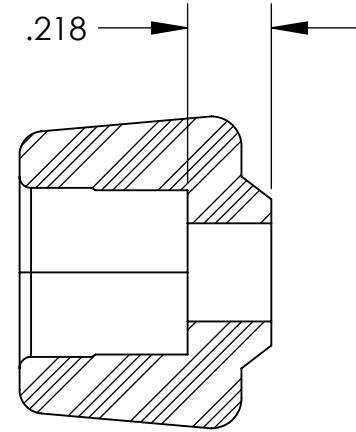
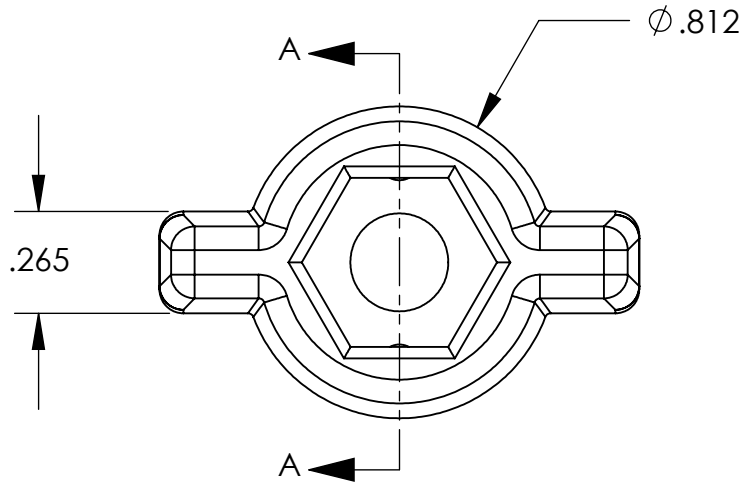
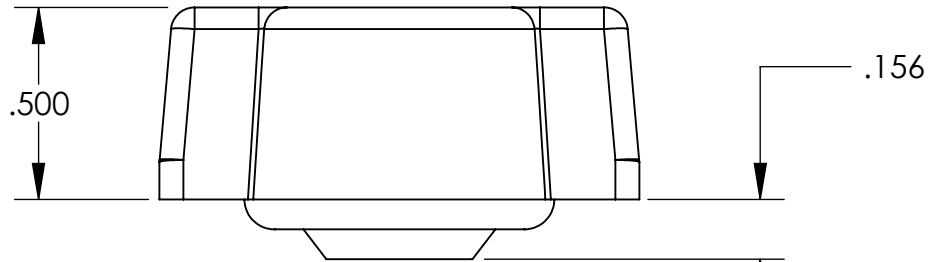


UNCONTROLLED DOCUMENT



SECTION A-A



NOTES:  
 TO FIT WITH A STEEL 1/4 - 20  
 HEX CAP SCREW AND A 1/4 - 20  
 STEEL HEX NUT.  
 ALL DIMENSIONS ARE REF.

TOLERANCES UNLESS NOTED

- $\pm .005$  ON DIMENSIONS THRU  $.625$
- $\pm .008$  ON DIMENSIONS  $.626$  THRU  $1.000$
- $\pm .010$  ON DIMENSIONS  $1.001$  THRU  $1.500$
- $\pm .015$  ON DIMENSIONS LARGER THAN  $1.500$
- $\pm .015$  ON FRACTIONAL DIMENSIONS

WE RESERVE THE RIGHT  
 TO DISCONTINUE ITEMS,  
 CHANGE SPECIFICATIONS  
 OR DESIGN AT ANY TIME  
 WITHOUT NOTICE AND  
 WITHOUT INCURRING  
 ANY OBLIGATIONS

PROPERTY OF		
<b>MICRO PLASTICS INC.</b>		
CATALOG DRAWING WING THUMB SCREW KNOB MICRO P/N 29WN014B DWG. # 29WN014B FILE SERVER\ENG\WEB		
MATERIAL:	NYLON 6/6; BLACK	
DATE	SCALE	<b>DB</b>
	2:1	