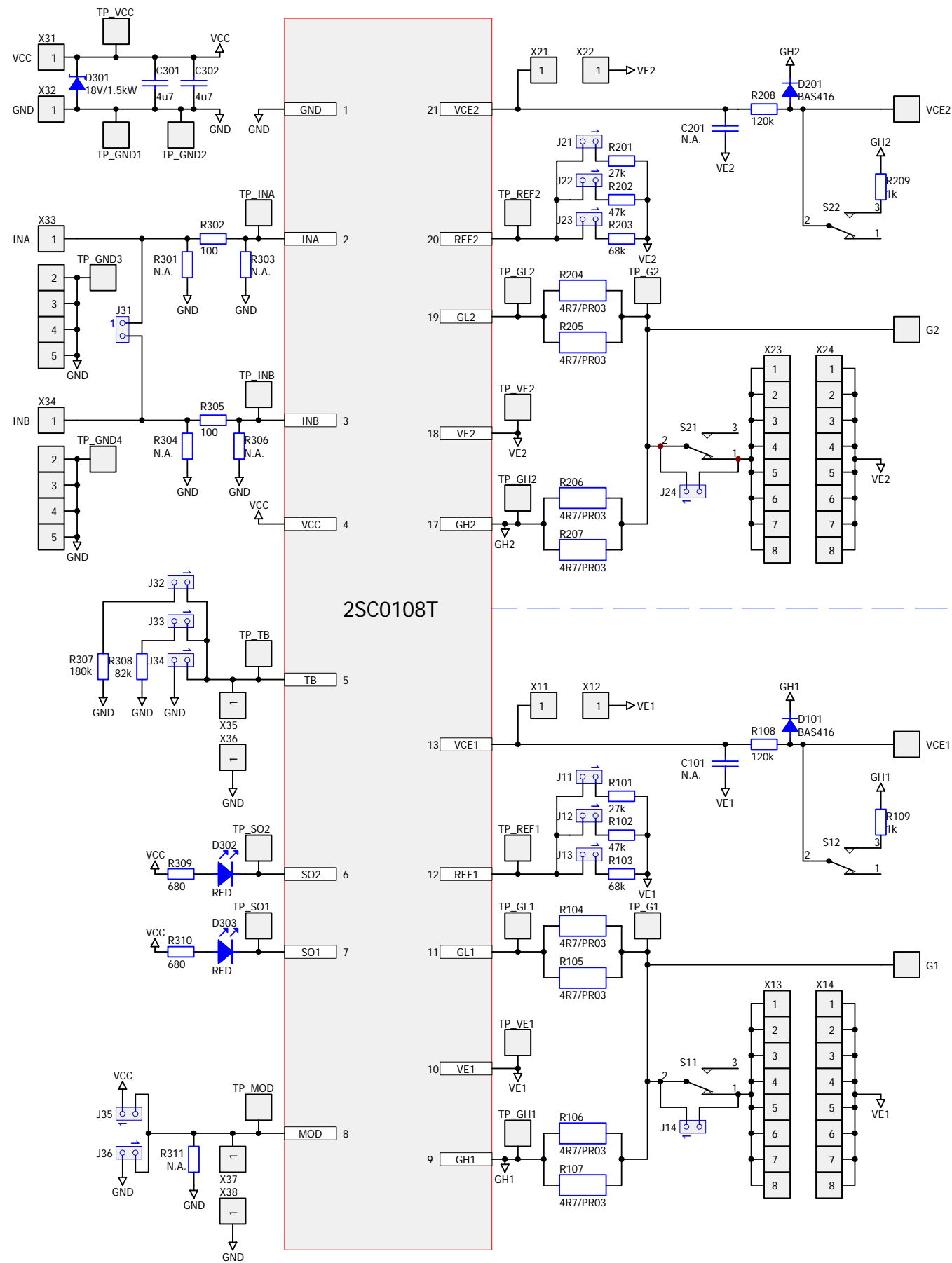


N.A. : Not Assembled

**CT-Concept Technologie AG, Switzerland**  
**www.igbt-driver.com**

This document contains intellectual property of CT-Concept Technologie AG,  
CH-2504 Biel-Bienne (Switzerland).



CHANNEL 2

CHANNEL 1

Title		
Evaluation Board for 2SC0108T		
Size	Number	Revision
A3	<b>2EB0108T</b>	V1.0
Date:	27-Jul-2011	Sheet of 1 / 2
File:	S:\Evaluation boards\2EB0108T\CT-237-K.DrivedByada@ctc.ddb	