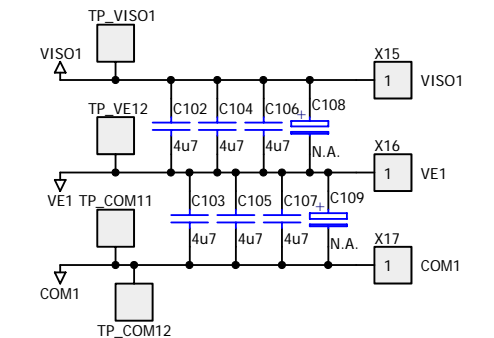


CHANNEL 2



CHANNEL 1

N.A. : Not Assembled

CT-Concept Technologie AG, Switzerland
www.igbt-driver.com

This document contains intellectual property of CT-Concept Technologie AG,
CH-2504 Biel-Bienne (Switzerland).

Title		
Evaluation Board for 2SC0435T		
Size	Number	Revision
A3	2EB0435T	V1.0
Date:	8-Jul-2011	Sheet of 1 / 2
File:	S:\Evaluation boards\WEB CT-239-2_2EB0435T\1.0.DR	