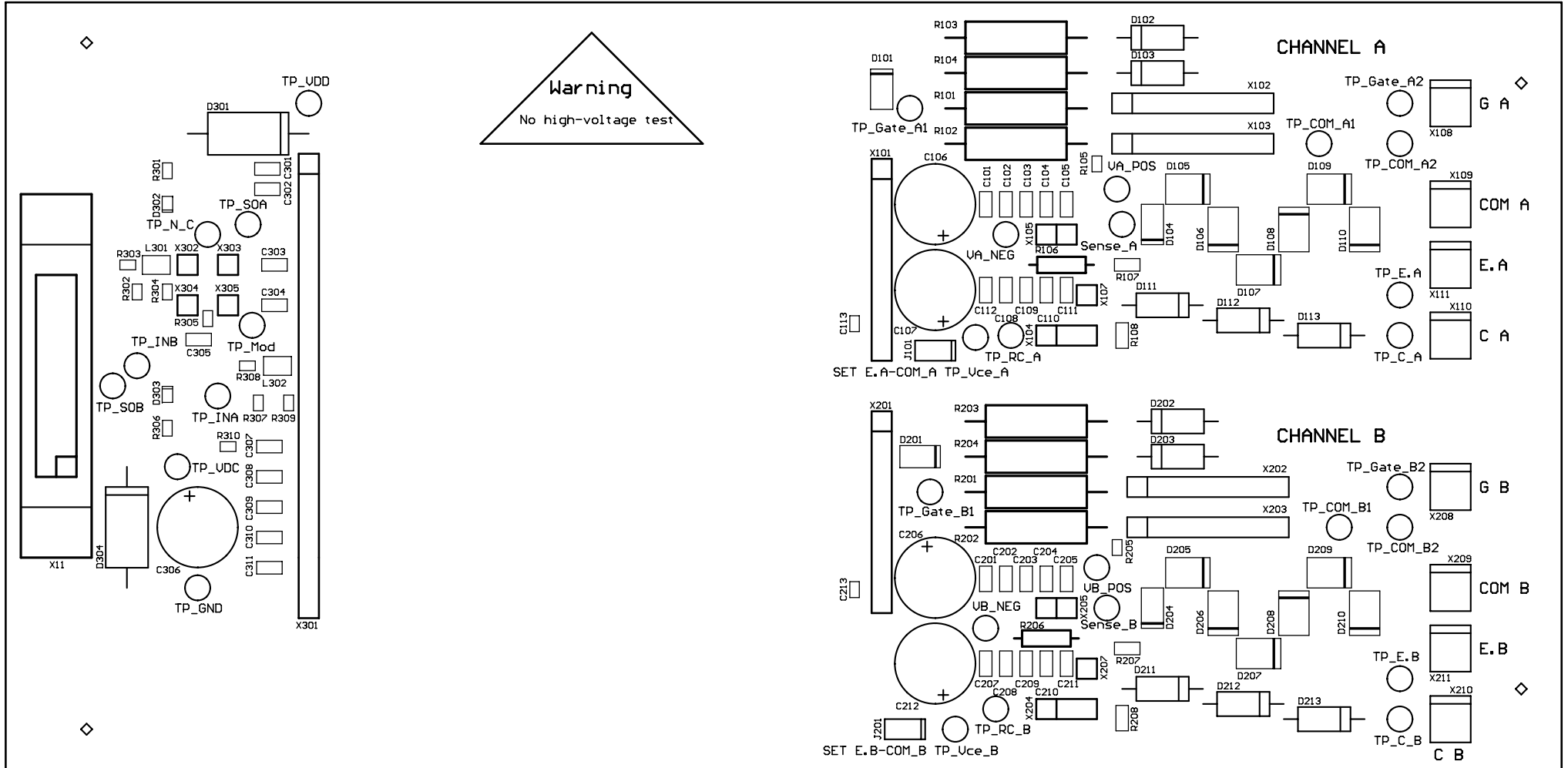
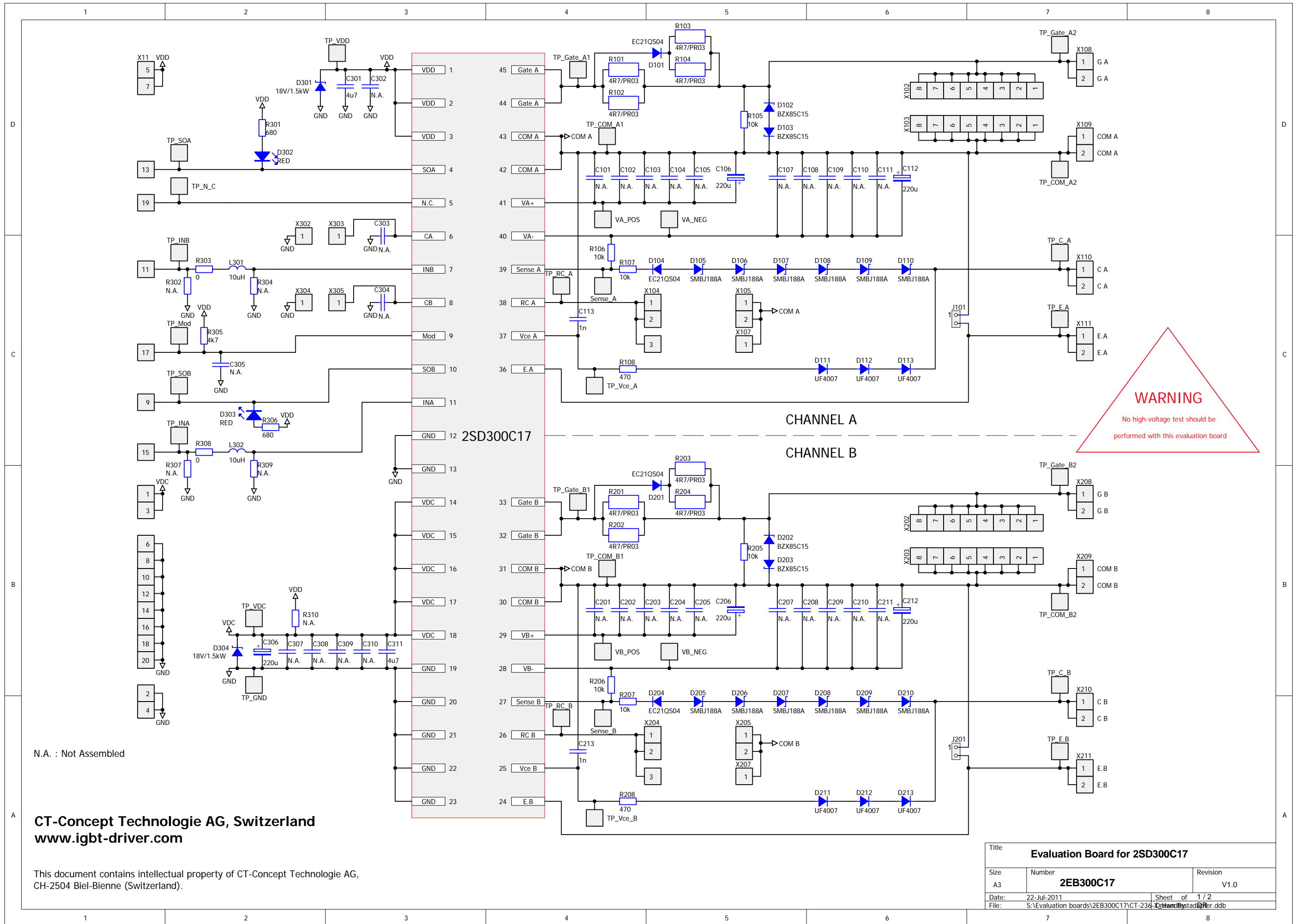


2EB300C17 Assembly Drawing (Top)

V1.0, 22-Jul-2011





WARNING
 No high-voltage test should be performed with this evaluation board

N.A. : Not Assembled

CT-Concept Technologie AG, Switzerland
www.igbt-driver.com

This document contains intellectual property of CT-Concept Technologie AG, CH-2504 Biel-Bienne (Switzerland).

| | | |
|---------------------------------------|--|----------------|
| Title | | |
| Evaluation Board for 2SD300C17 | | |
| Size | Number | Revision |
| A3 | 2EB300C17 | V1.0 |
| Date: | 22-Jul-2011 | Sheet of 1 / 2 |
| File: | S:\Evaluation boards\2EB300C17\CT-236-Order by Stadler.ddb | |