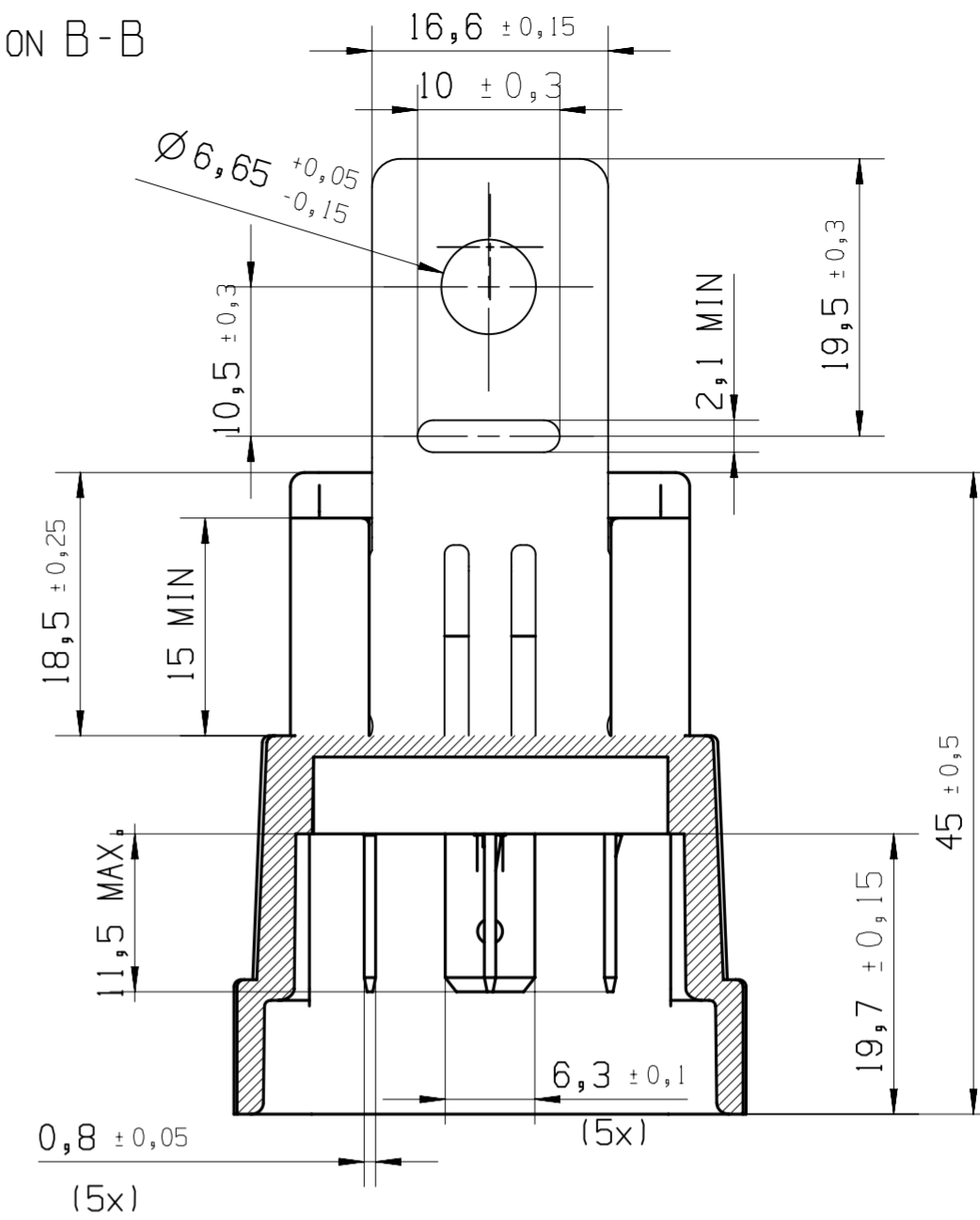


SECTION B-B

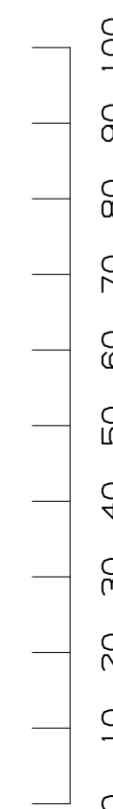


\* TERMINAL LOCATIONS APPLY AT THE BASE OF THE TERMINAL

MARKING LASER MARKED OR WITH INK PRINTED OR INJECTION MOLDED TO INCLUDE: MANUFACTURER'S NAME, MANUFACTURER'S PART NUMBER, SCHEMATIC, COIL VOLTAGE, COUNTRY OF ORIGIN AND DATE CODE

Part Names  
 Manufacturer Logo  
 Nominal Voltage  
 VF4-65H11-S08 0202202C PT  
 V23134-A4064-X551  
 TE Date Code  
 Country of Origin  
 Schematic Diagram  
 24VDC

TE P/N	PART NAME
3-1904131-7	V23134-A4064-X551



PROPRIETARY THE REPRODUCTION, TRANSMISSION OR USE OF THIS DOCUMENT OR IT'S CONTENTS IS NOT PERMITTED WITHOUT EXPRESSED WRITTEN AUTHORITY. OFFENDERS WILL BE LIABLE FOR ALL DAMAGES. ALL RIGHTS, INCLUDING RIGHTS CREATED BY REGISTERED PATENT(S) GRANTED FOR A UTILITY MODEL OR DESIGN, ARE RESERVED.		CHANGES TO THIS DRAWING MUST BE DONE ONLY IN CAD	PAPER SIZE <b>A2</b>
APPLICABLE SPEC.: Replacement for VF4-65H11-S08		FINISH DIMENSIONS APPLY PLATING	SCALE <b>2:1</b> WEIGHT
TOLERANCE UNLESS SPECIFIED OTHERWISE DIMENSIONS IN MM		MATERIAL	
DATE NAME DWN. 11NOV2016 L.Sandoval APP. REV.		PART NAME <b>POWER F RELAY CHANGE OVER</b>	
LOCATION PE EVORA		DWG NO. <b>C - V23134-A4064-X551</b>	
B ECO-19-010387 06FEB2019 L.Sand	A1 Initial Release 30NOV2016 L.Sand	SHT. 1 OF 1	
A --- 11NOV2016 L.Sand	REV. CHANGE ORDER DATE APP.	CUSTOMER DRAWING	

