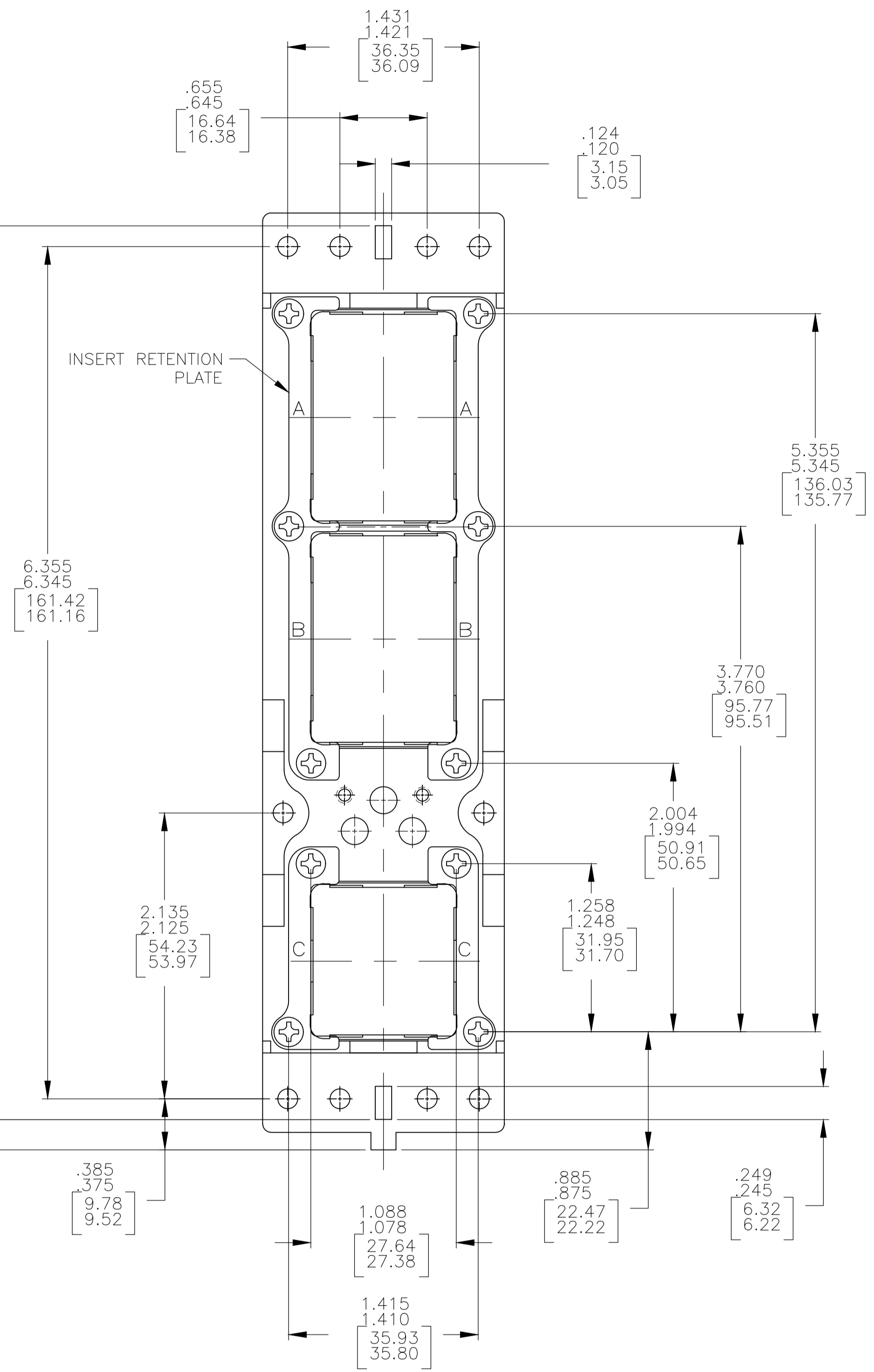
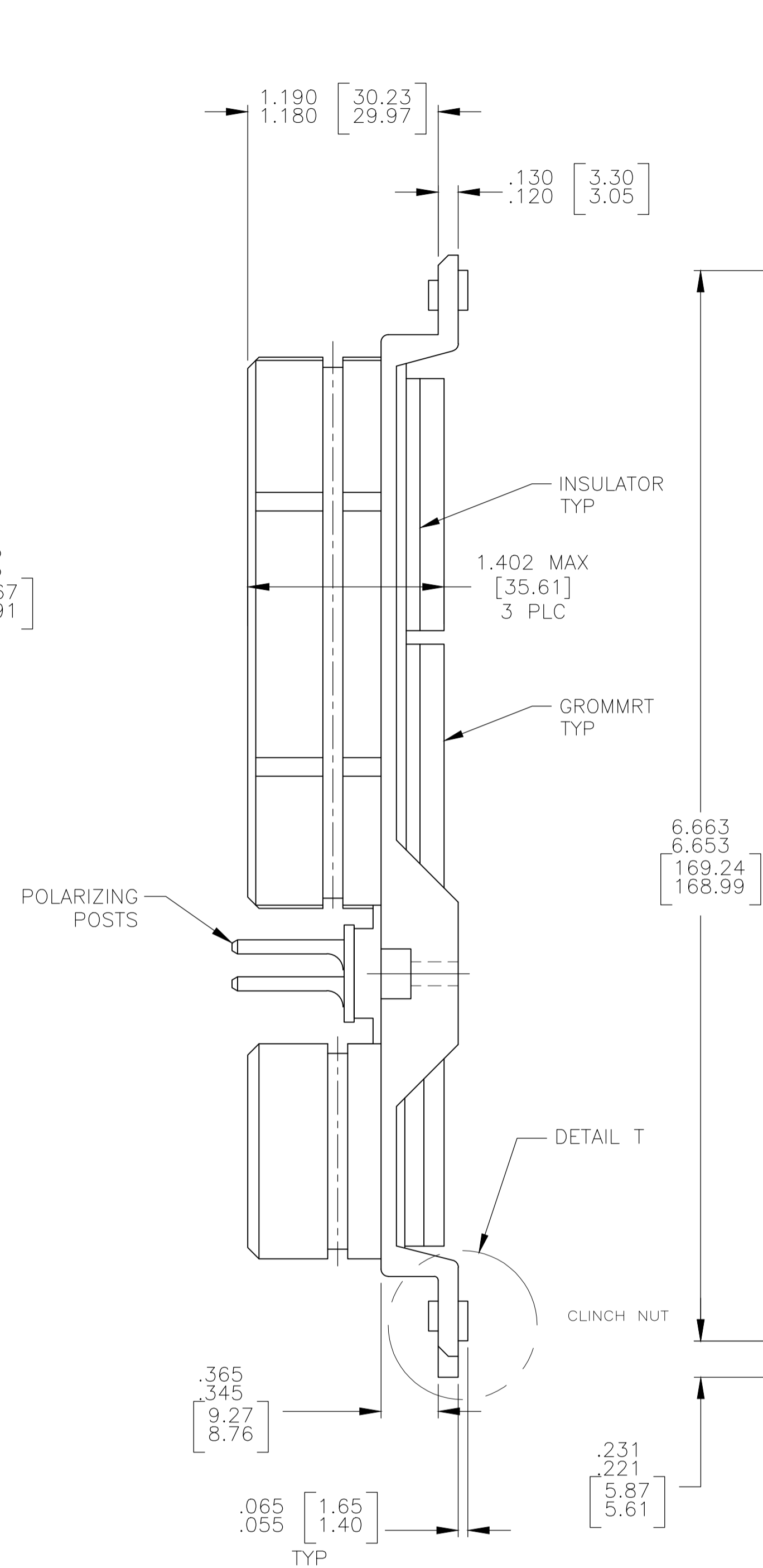
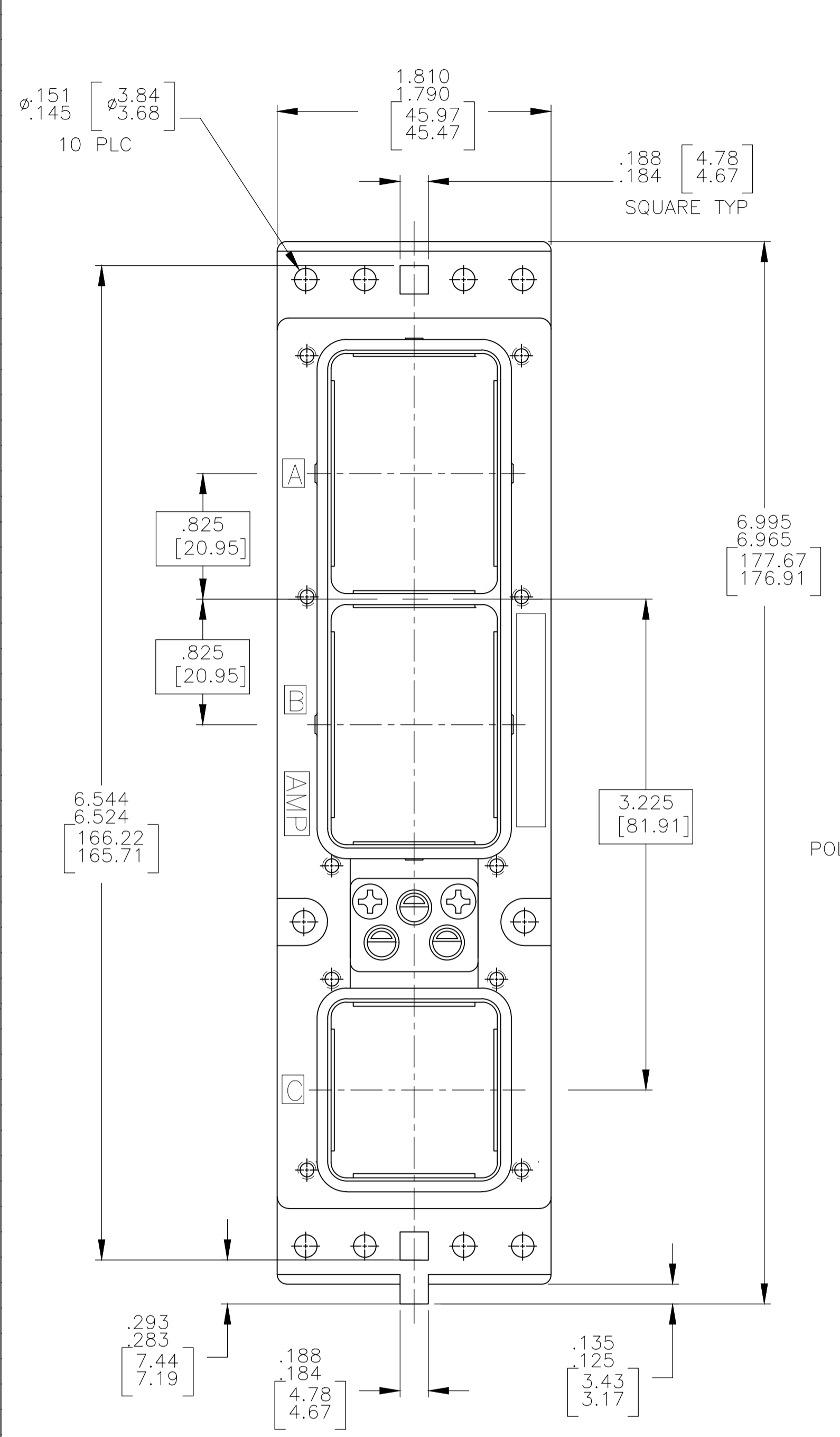
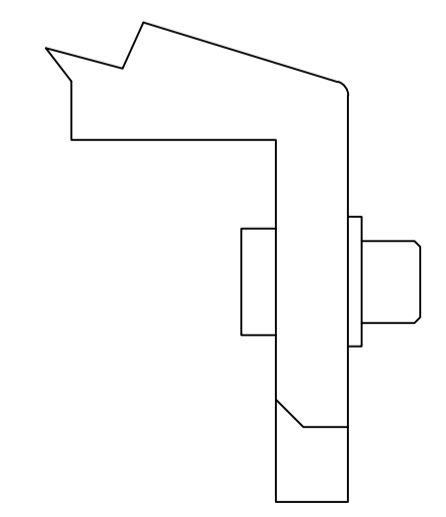


REVISIONS				
P	LTR	DESCRIPTION	DATE	APP'D
AE	REVISED PER ECO-17-018523		19JAN2018	PHM CT



BACC66H21C04AA01	4-208973-1
NIC66H52B03AA0	4-208973-0
NIC66H21B40AA1	3-208973-9
NIC66H20B40AA1	3-208973-8
INSERTS:150/OPEN/OPEN,STD MTG,NO CONTACTS	3-208973-7
INSERTS:150/150/OPEN,STD MTG,NO CONTACTS	3-208973-6
NIC66H21C06CD0	3-208973-5
NIC66H21B06CD1	3-208973-4
NIC66H21B06CD0	3-208973-3
NIC66H21C09AA0	3-208973-2
NIC66H20C00AA0	3-208973-1
NIC66H21C00AA0	3-208973-0
NIC66H20B08AA0	2-208973-9
NIC66H20B03AA0	2-208973-8
-	2-208973-7
CUST RESTRICTED DWG 2-208973-6	2-208973-6
CUST RESTRICTED DWG 2-208973-5	2-208973-5
NIC66H25B01AA1 W/ SPECIAL GROMMET	2-208973-4
NIC66H23B01AA1 W/ SPECIAL GROMMET	2-208973-3
NIC66H26B01AA1	2-208973-2
NIC66H25B03AA1 W/ SPECIAL GROMMET	2-208973-1
NIC66H21C29AA0	2-208973-0
NIC66H23B05AA1 W/ SPECIAL GROMMET	1-208973-9
NIC66H25B04AA1 W/ SPECIAL GROMMET	1-208973-8
CUST RESTRICTED DWG 1-208973-7	1-208973-7
CUST RESTRICTED DWG 1-208973-6	1-208973-6
CUST RESTRICTED DWG 1-208973-5	1-208973-5
NIC66H23B08AA0	1-208973-4
NIC66H21B04AA0	1-208973-3
NIC66H21B05AA0	1-208973-2
NIC66H26B02AA1	1-208973-1
NIC66H21B01AA1	1-208973-0
ADVANCE P/N	208973-9
NIC66H25C01AA1	208973-8
NIC66H25C01AA0	208973-7
NIC66H23C01AA1	208973-6
NIC66H23B01AA0	208973-5
ADVANCE P/N	208973-4
NIC66H21C01AA0	208973-3
ADVANCE P/N	208973-2
NIC66H21B01AA0	208973-1
DESCRIPTIVE NUMBER	
PART NUMBER	

- CONNECTOR DIMENSIONS ARE PER ARINC 600 SPECIFICATION
- KEYING SHOWN IN POSITION "01" FOR REFERENCE ONLY. CONNECTOR SHIPPED WITH KEYING PER ORDERING INSTRUCTIONS. FOR POSITION "00" KEYING SHIPPED UNASSEMBLED.
- FOR SHIPMENT CONTACTS (IF ORDERED) ARE INCLUDED IN A CONTAINER WITHIN THE CONNECTOR PACKAGE. COAX CONTACTS ARE NOT SUPPLIED AND MUST BE ORDERED SEPARATELY.
- SPECIAL WITH INSERTS 150/71C1/34 STANDARD MOUNTING. ALL CONTACTS ORDERED SEPARATELY. KEYED TO POSITION 01
- PRELIMINARY PART NUMBER, NOT RELEASED FOR PRODUCTION



DETAIL T  
CLINCH NUT  
8 PLC  
FOR -33, -34 AND -35 ONLY

COMPONENT	MATERIAL	FINISH
SHELL	DIE CAST ALUMINUM PER ASTM-B-85	CHROMATE CONVERSION PER MIL-C-5541, TYPE II, CLASS 3
RETENTION PLATES	ALUMINUM ALLOY PER ASTM-B-209	CHROMATE CONVERSION PER MIL-C-5541, TYPE II, CLASS 3
SCREWS	STEEL OR STAINLESS STEEL	STAINLESS STEEL OR PASSIVATED
POLARIZING POSTS	ZINC ALLOY PER ASTM-B-86	ELECTROLESS NICKEL PER MIL-C-26074 CLASS 4, GRADE B
INSERTS	THERMOSET	-
FILLER PLUG	TEFLON	-
POLARIZING POST RETAINING PLATE	ALUMINUM ALLOY PER ASTM-B-209	BLUE ANODIZED PER MIL-A-8625

THIS DRAWING IS A CONTROLLED DOCUMENT.

DIMENSIONS: INCHES	TOLERANCES UNLESS OTHERWISE SPECIFIED:	DIN C.C.THOMAS 7-2-91	7-16-91
0 PLC ± .005	1 PLC ± .005	2 PLC ± .005	3 PLC ± .005
4 PLC ± .005	ANGLES ± .005	APPROX GROSS 7-16-91	NAME
MATERIAL SEE TABLE	FINISH SEE TABLE	WEIGHT	RESTRICTED TO
CUSTOMER DRAWING		SCALE 1:1	SHEET 1 OF 1

STE TE Connectivity Ltd.  
CONNECTOR ASSY, SIZE 2, CLASS B/C, PLUG/ARINC 600  
A1 00779 ©=208973