

THIS DRAWING IS UNPUBLISHED. RELEASED FOR PUBLICATION 20  
 © COPYRIGHT 20 BY - ALL RIGHTS RESERVED.

| LOC |     | DIST                      |  | REVISIONS |     |      |  |
|-----|-----|---------------------------|--|-----------|-----|------|--|
| P   | LTR | DESCRIPTION               |  | DATE      | DWN | APVD |  |
|     | A4  | REVISED PER ECR-13-007047 |  | 16MAY2013 | RS  | DD   |  |
|     | A5  | REVISED PER ECR-15-003564 |  | 13MAR2015 | RS  | DD   |  |
|     | B   | REVISED PER ECR-15-004054 |  | 28JUL2015 | RS  | DD   |  |
|     | C   | REVISED PER ECR-15-017995 |  | 18DEC2015 | RS  | DD   |  |

1 MATERIALS AND FINISH:  
 - HOUSING: LCP, COLOR: NATURAL  
 - CONTACTS: COPPER ALLOY, FINISH: Sn OVER Ni

2. COMPLY WITH DIRECTIVE 2002/95/EC (ROHS).

3. 18-24AWG SOLID OR STRANDED WIRE.  
 PLEASE REFER TO APPLICATION SPEC 114-13266  
 FOR RECOMMENDED STRAND COUNT.  
 18AWG MAX INSULATION OD: 2.20  
 20AWG MAX INSULATION OD: 1.90  
 22AWG MAX INSULATION OD: 1.70  
 24AWG MAX INSULATION OD: 1.45

4. PACKAGE IN TAPE AND REEL. PER EIA-481 SPECIFICATION;  
 (EXCEPT 1 POSITION CONNECTOR).

5 WIRE SIZE MARKING IN APPROXIMATE LOCATION SHOWN.

6 DATUMS AND BASIC DIMENSIONS ESTABLISHED BY CUSTOMER.

7 COLOR CODE MARKING, STRAIGHT LINE.

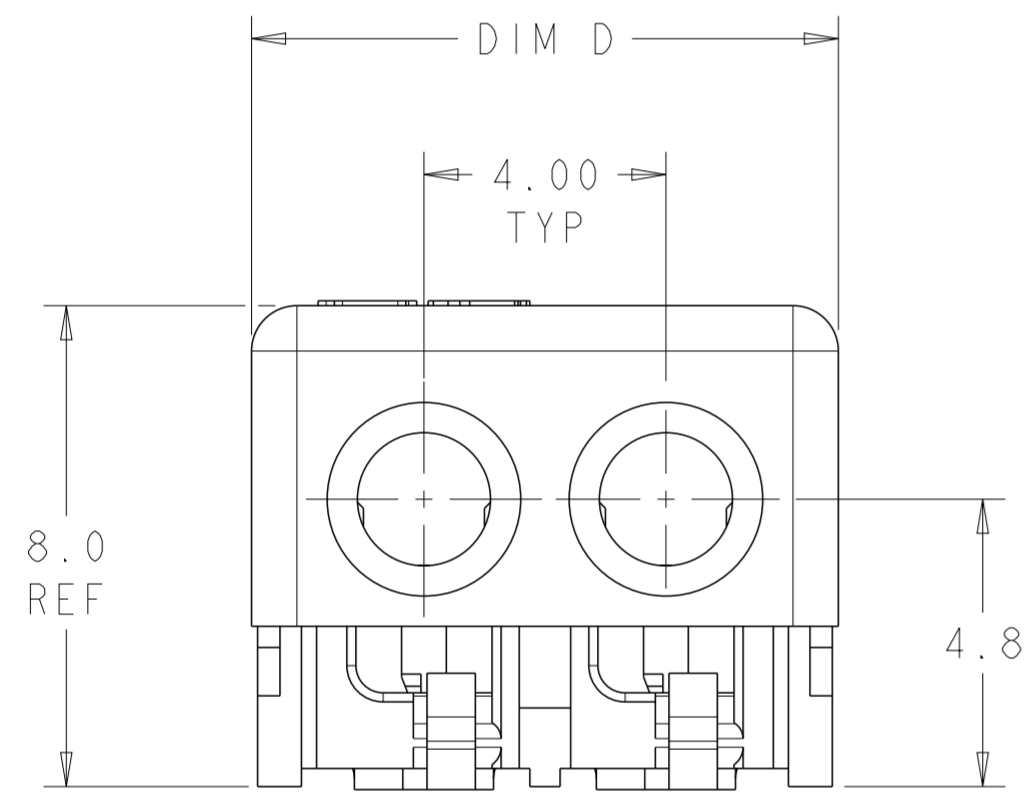
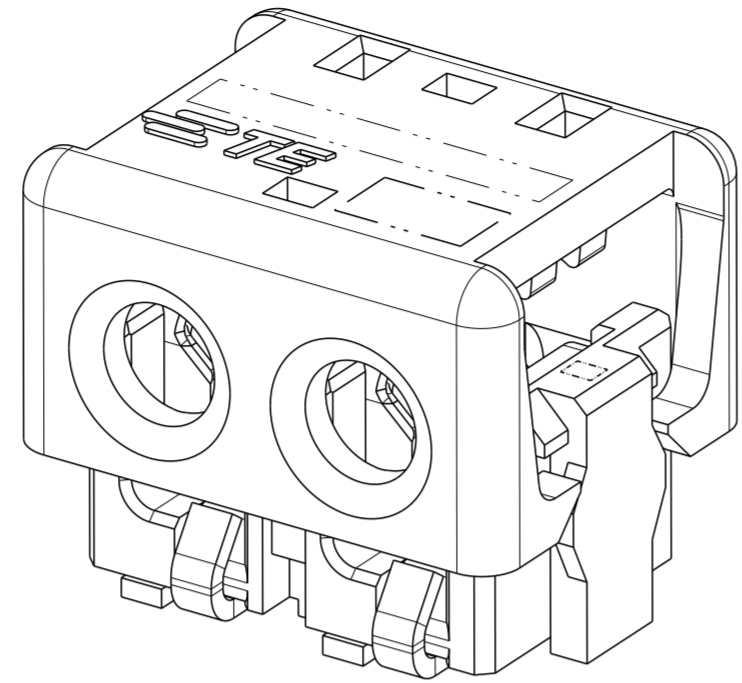
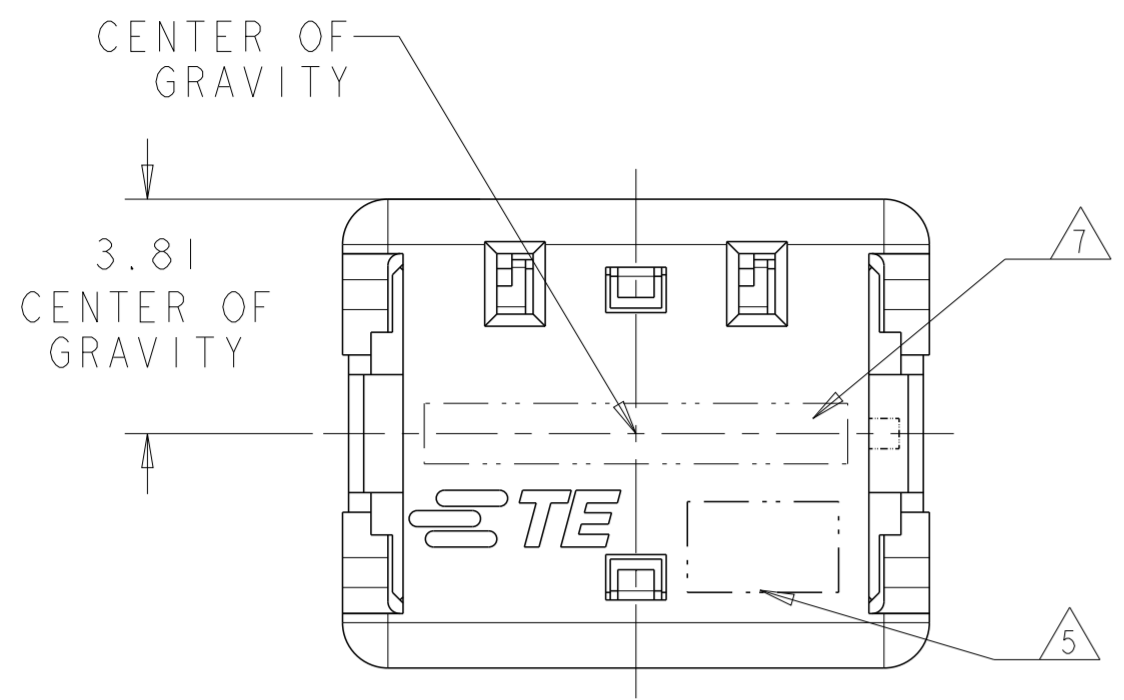
8 1 POSITION ASSEMBLY DOES NOT COMPLY WITH EIA 481 SPECIFICATION.

| COLOR CODE | DIM D | WIRE SIZE | POSN | COLOR   | PART NUMBER              |
|------------|-------|-----------|------|---------|--------------------------|
| RED        | 17.70 | 24 AWG    | 4    | BLACK   | 7-2106003-4              |
|            | 13.70 | 24 AWG    | 3    | BLACK   | 7-2106003-3              |
|            | 9.70  | 24 AWG    | 2    | BLACK   | 7-2106003-2              |
|            | 5.70  | 24 AWG    | 1    | BLACK   | 7-2106003-1 <sup>8</sup> |
| GREEN      | 17.70 | 22 AWG    | 4    | BLACK   | 6-2106003-4              |
|            | 13.70 | 22 AWG    | 3    | BLACK   | 6-2106003-3              |
|            | 9.70  | 22 AWG    | 2    | BLACK   | 6-2106003-2              |
|            | 5.70  | 22 AWG    | 1    | BLACK   | 6-2106003-1 <sup>8</sup> |
| BLUE       | 17.70 | 20 AWG    | 4    | BLACK   | 5-2106003-4              |
|            | 13.70 | 20 AWG    | 3    | BLACK   | 5-2106003-3              |
|            | 9.70  | 20 AWG    | 2    | BLACK   | 5-2106003-2              |
|            | 5.70  | 20 AWG    | 1    | BLACK   | 5-2106003-1 <sup>8</sup> |
| YELLOW     | 17.70 | 18 AWG    | 4    | BLACK   | 4-2106003-4              |
|            | 13.70 | 18 AWG    | 3    | BLACK   | 4-2106003-3              |
|            | 9.70  | 18 AWG    | 2    | BLACK   | 4-2106003-2              |
|            | 5.70  | 18 AWG    | 1    | BLACK   | 4-2106003-1 <sup>8</sup> |
| RED        | 17.70 | 24 AWG    | 4    | NATURAL | 3-2106003-4              |
|            | 13.70 | 24 AWG    | 3    | NATURAL | 3-2106003-3              |
|            | 9.70  | 24 AWG    | 2    | NATURAL | 3-2106003-2              |
|            | 5.70  | 24 AWG    | 1    | NATURAL | 3-2106003-1 <sup>8</sup> |
| GREEN      | 17.70 | 22 AWG    | 4    | NATURAL | 2-2106003-4              |
|            | 13.70 | 22 AWG    | 3    | NATURAL | 2-2106003-3              |
|            | 9.70  | 22 AWG    | 2    | NATURAL | 2-2106003-2              |
|            | 5.70  | 22 AWG    | 1    | NATURAL | 2-2106003-1 <sup>8</sup> |
| BLUE       | 17.70 | 20 AWG    | 4    | NATURAL | 1-2106003-4              |
|            | 13.70 | 20 AWG    | 3    | NATURAL | 1-2106003-3              |
|            | 9.70  | 20 AWG    | 2    | NATURAL | 1-2106003-2              |
|            | 5.70  | 20 AWG    | 1    | NATURAL | 1-2106003-1 <sup>8</sup> |
| YELLOW     | 17.70 | 18 AWG    | 4    | NATURAL | 2106003-4                |
|            | 13.70 | 18 AWG    | 3    | NATURAL | 2106003-3                |
|            | 9.70  | 18 AWG    | 2    | NATURAL | 2106003-2                |
|            | 5.70  | 18 AWG    | 1    | NATURAL | 2106003-1 <sup>8</sup>   |

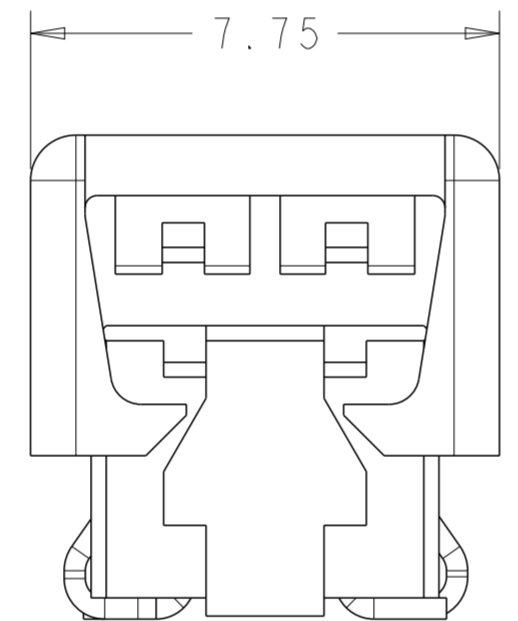
|  |  |                               |  |                         |
|--|--|-------------------------------|--|-------------------------|
| THIS DRAWING IS A CONTROLLED DOCUMENT. |  | DWN<br>C DAILY 09DEC2008      | <b>STE</b> TE Connectivity                                 |                         |
|  |  | CHK<br>J DYER 09DEC2008       |  |                         |
| DIMENSIONS:<br>mm                      | TOLERANCES UNLESS OTHERWISE SPECIFIED:                     | APVD<br>-                     | NAME<br>ASSEMBLY,<br>IDC SSL CONNECTOR,<br>SMT, CLOSED END |                         |
|  | 0 PLC ±<br>1 PLC ±0.5<br>2 PLC ±0.13<br>3 PLC ±<br>4 PLC ± | PRODUCT SPEC<br>108-2404      | SIZE<br>A2   |                         |
| MATERIAL                               | ANGLES ±<br>FINISH   | APPLICATION SPEC<br>114-13266 | CAGE CODE<br>00779   | DRAWING NO<br>C-2106003 |
|  |  | WEIGHT<br>-                   | RESTRICTED TO<br>-   | SCALE<br>2:1            |
| Customer Drawing                       |  |                               | SHEET<br>1   | OF 4                    |
|  |  |                               | REV<br>C   |                         |

THIS DRAWING IS UNPUBLISHED. RELEASED FOR PUBLICATION 20  
 © COPYRIGHT 20 BY - ALL RIGHTS RESERVED.

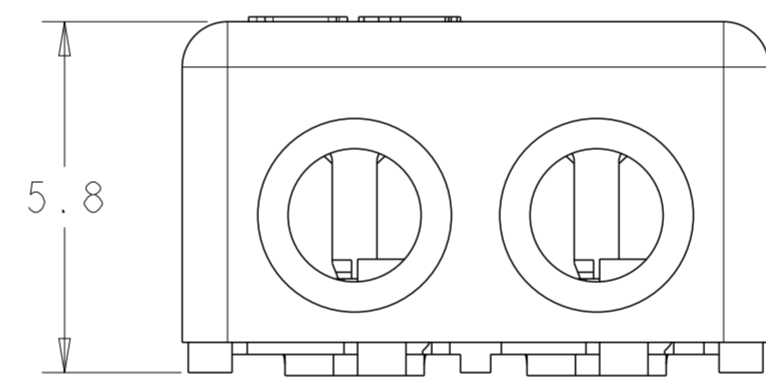
| LOC |     | DIST        |  | REVISIONS |     |      |  |
|-----|-----|-------------|--|-----------|-----|------|--|
| P   | LTR | DESCRIPTION |  | DATE      | DWN | APVD |  |
| -   | -   | SEE SHEET 1 |  | -         | -   | -    |  |
|     |     |             |  |           |     |      |  |
|     |     |             |  |           |     |      |  |



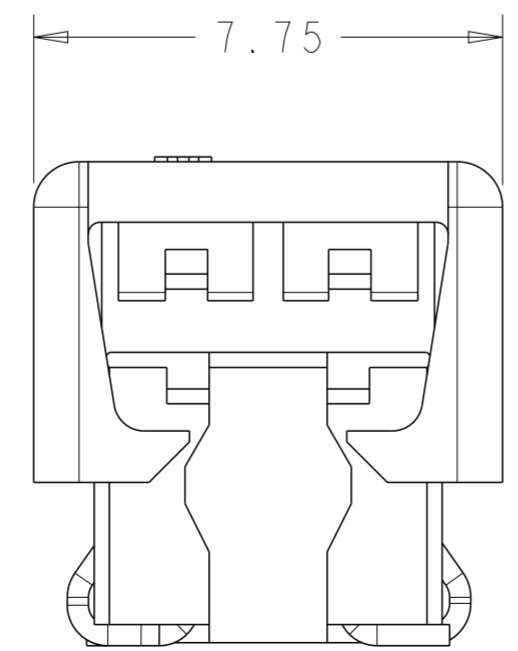
2 POSITION  
SHOWN AS SHIPPED



FOR 1 POSITION ONLY



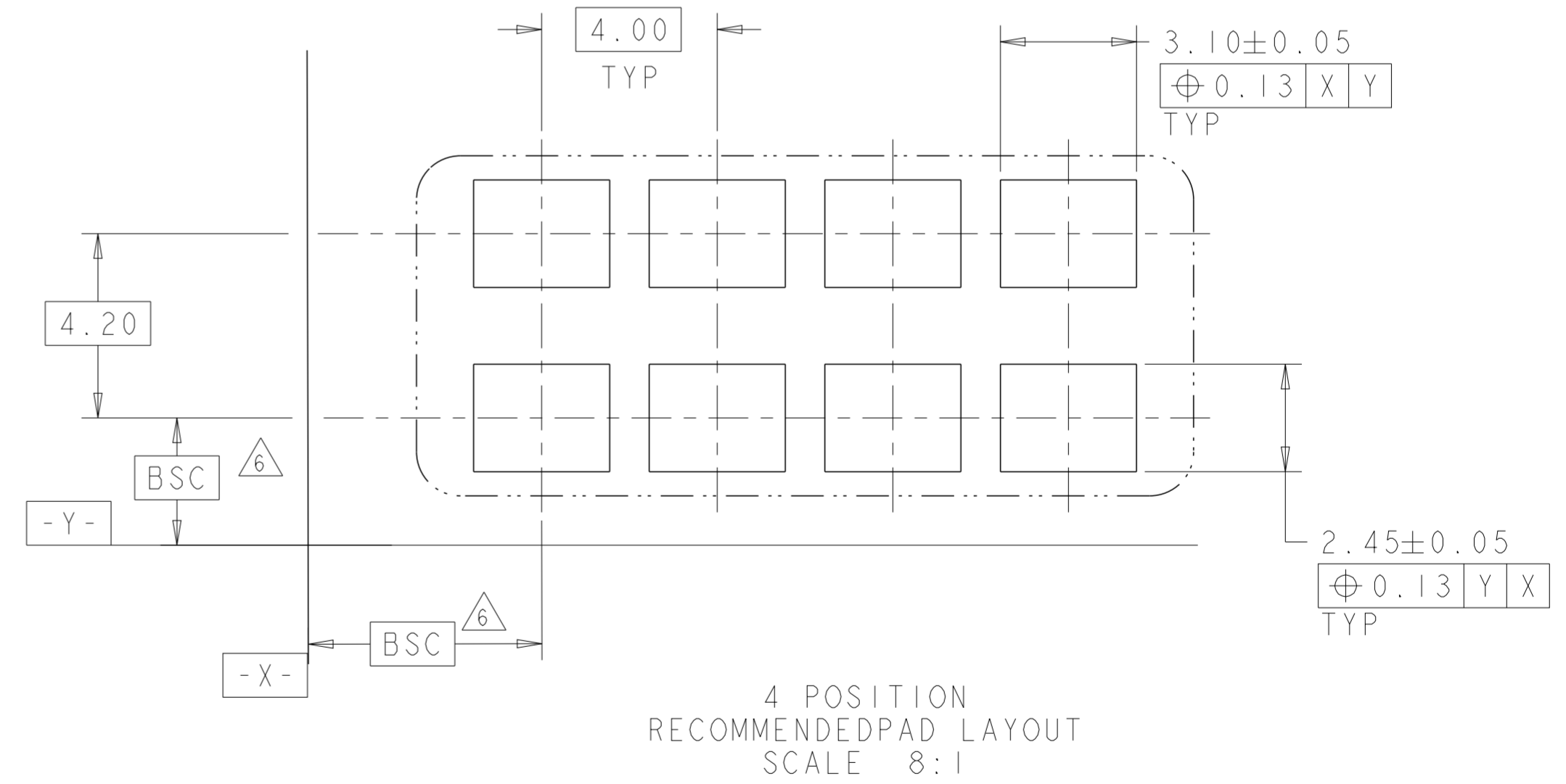
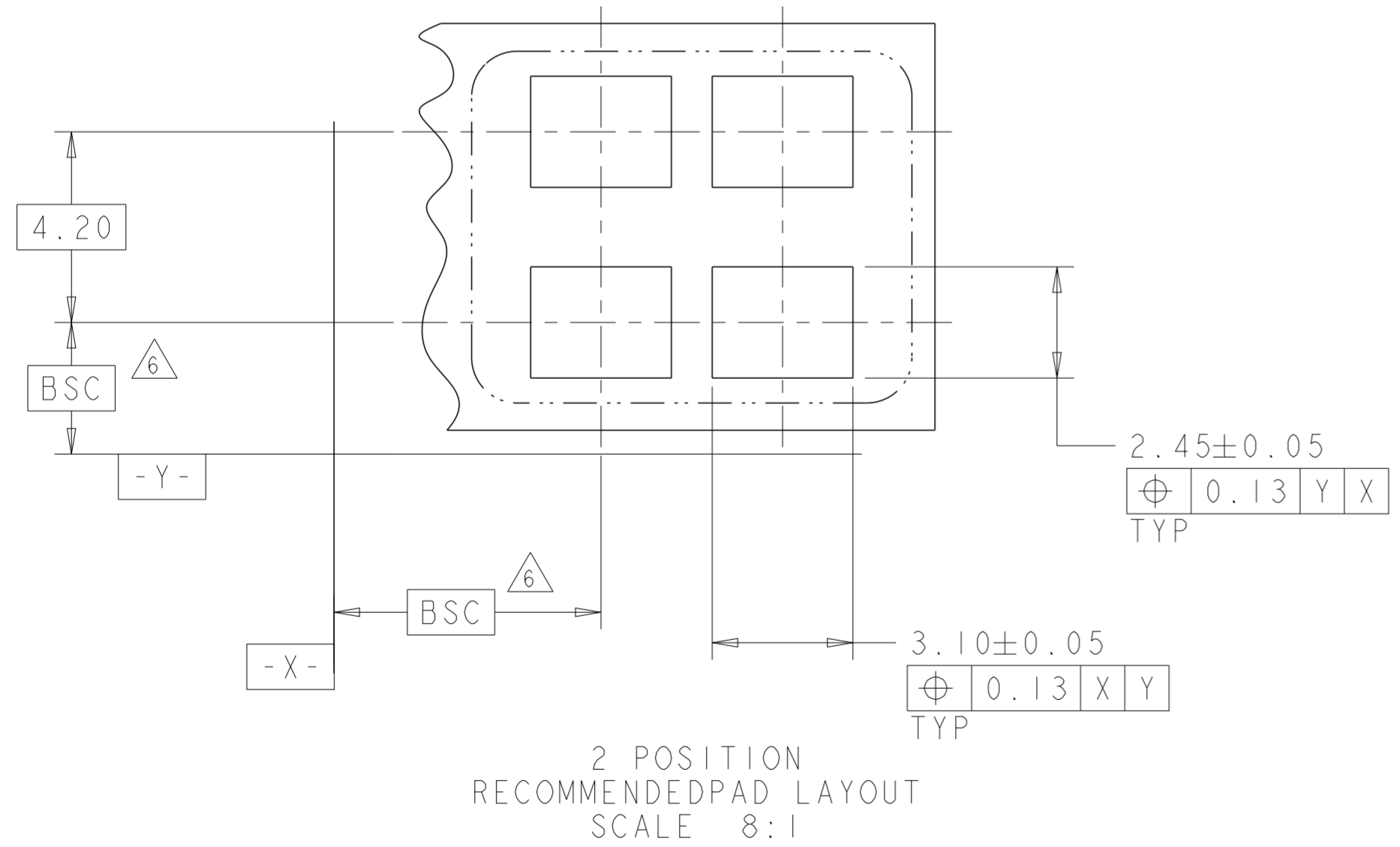
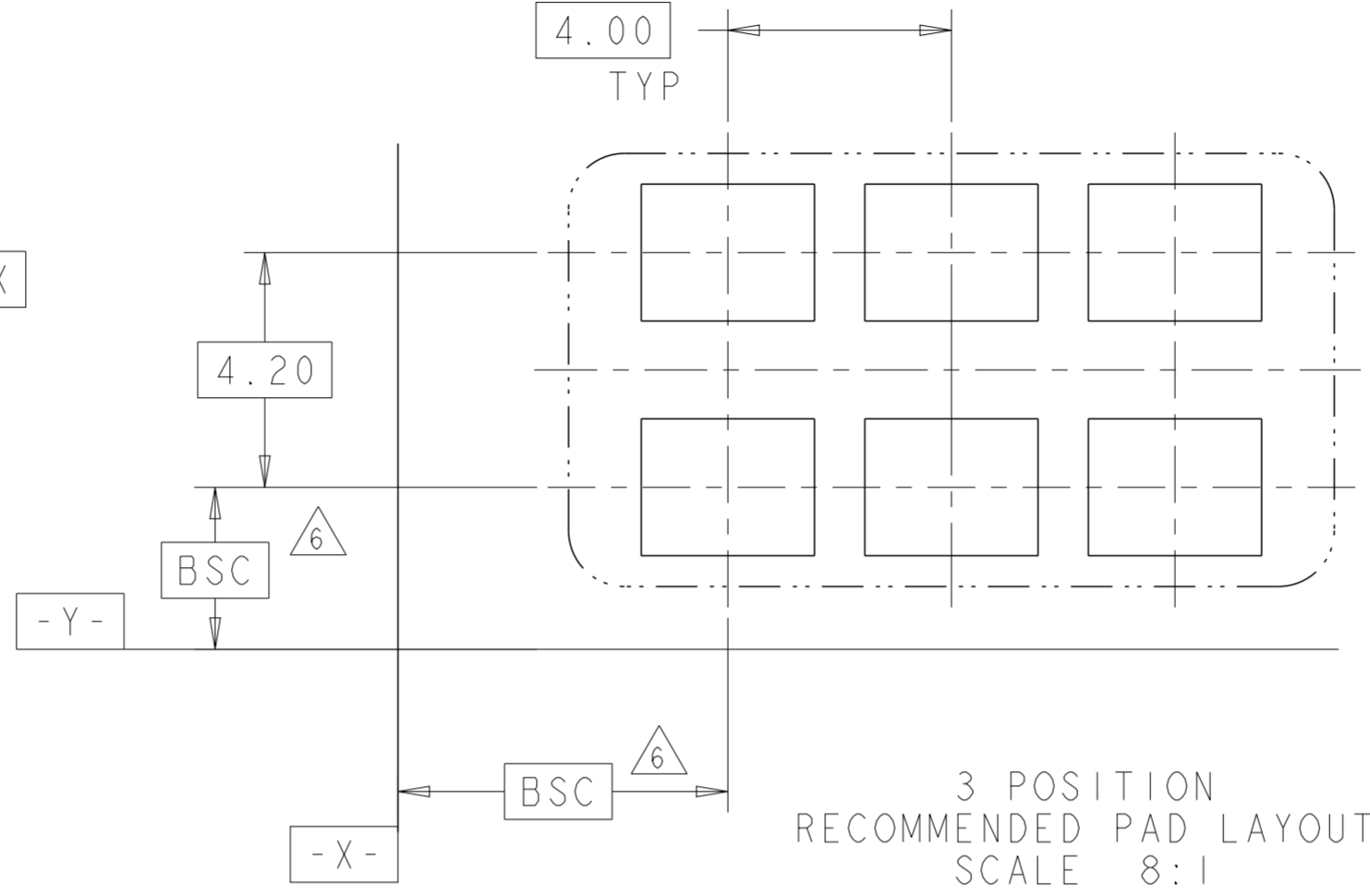
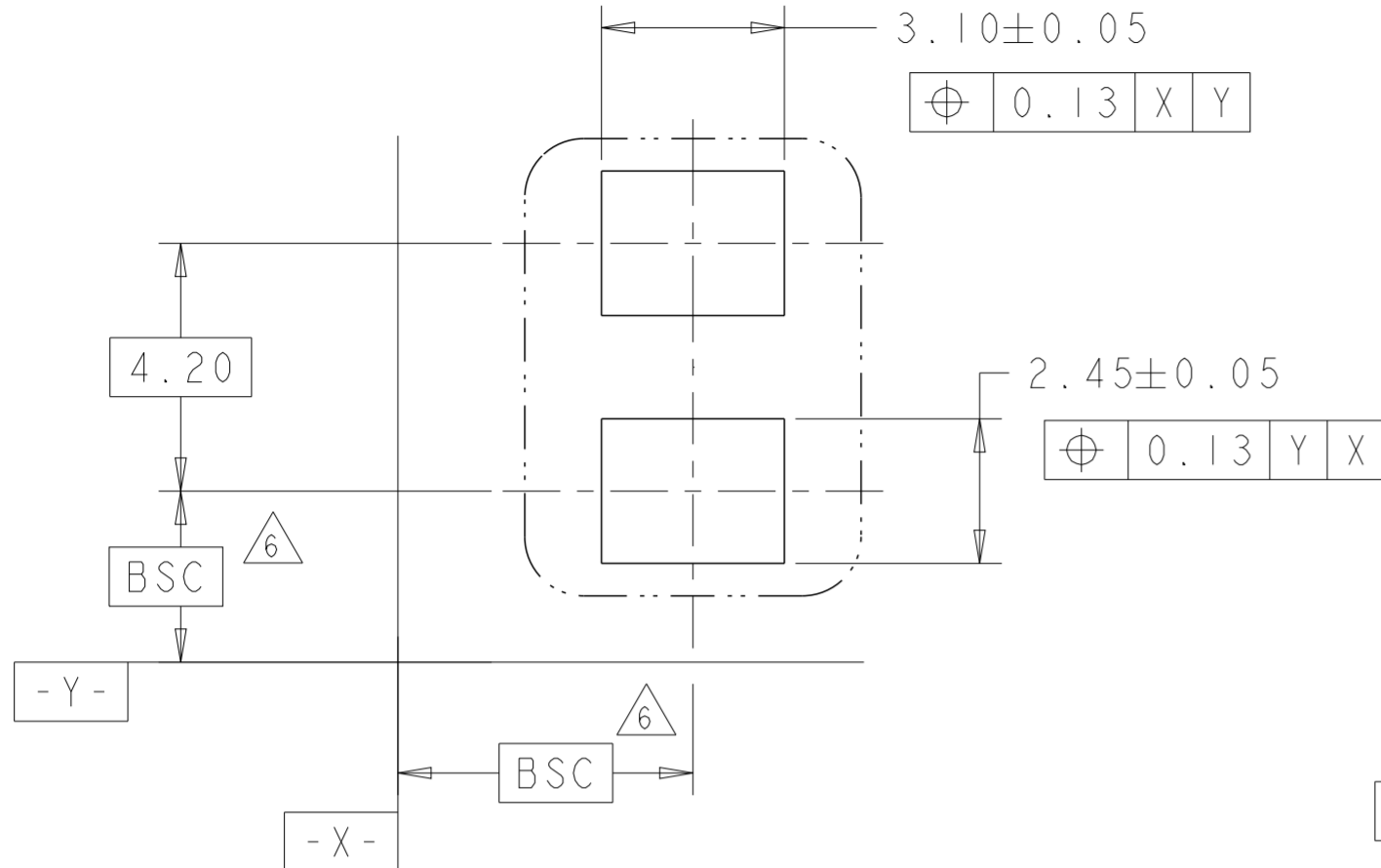
2 POSITION  
SHOWN CLOSED  
SCALE 8:1



FOR 2, 3 AND 4 POSITIONS

|  |  |                               |  |                    |
|--|--|-------------------------------|--|--------------------|
| THIS DRAWING IS A CONTROLLED DOCUMENT. |  | DWN<br>C DAILY<br>09DEC2008   | TE Connectivity  |                    |
|  |  | CHK<br>J DYER<br>09DEC2008    |  |                    |
| DIMENSIONS:                            |  | APVD<br>-                     | NAME<br>ASSEMBLY,<br>IDC SSL CONNECTOR,<br>SMT, CLOSED END |                    |
| mm                                     | TOLERANCES UNLESS OTHERWISE SPECIFIED: | PRODUCT SPEC<br>108-2404      | SIZE<br>A2   | CAGE CODE<br>00779 |
|  | 0 PLC ±                                | APPLICATION SPEC<br>114-13266 | DRAWING NO<br>C-2106003                                    | RESTRICTED TO<br>- |
|  | 1 PLC ±0.5                             | WEIGHT<br>-                   |  |                    |
|  | 2 PLC ±0.13                            | Customer Drawing              | SCALE<br>2:1   | SHEET<br>1 OF 4    |
|  | 3 PLC ±                                |                               |  | REV<br>C           |
|  | 4 PLC ±                                |                               |  |                    |
| MATERIAL                               | FINISH                                 |                               |  |                    |
| material_2                             | finish_spec_2                          |                               |  |                    |

| LOC |     | DIST        |  | REVISIONS |      |     |      |  |
|-----|-----|-------------|--|-----------|------|-----|------|--|
| P   | LTR | DESCRIPTION |  |           | DATE | DWN | APVD |  |
| -   | -   | SEE SHEET 1 |  |           | -    | -   | -    |  |
|     |     |             |  |           |      |     |      |  |
|     |     |             |  |           |      |     |      |  |



|  |  |                               |                 |  |
|--|--|-------------------------------|-----------------|--|
| THIS DRAWING IS A CONTROLLED DOCUMENT.   |  | DWN<br>C DAILY<br>09DEC2008   | TE Connectivity |  |
|  |  | CHK<br>J DYER<br>09DEC2008    |                 |  |
| DIMENSIONS:<br>mm  |  | APVD<br>-                     |                 | NAME<br>ASSEMBLY,<br>IDC SSL CONNECTOR,<br>SMT, CLOSED END |
| TOLERANCES UNLESS OTHERWISE SPECIFIED:<br>0 PLC ±<br>1 PLC ±0.5<br>2 PLC ±0.13<br>3 PLC ±<br>4 PLC ±<br>ANGLES ±<br>FINISH - |  | PRODUCT SPEC<br>108-2404      |                 | SIZE<br>114-13266  |
| MATERIAL<br>material_2   |  | APPLICATION SPEC<br>114-13266 |                 | RESTRICTED TO<br>-   |
| finish_spec_2  |  | WEIGHT<br>-                   |                 | SCALE<br>2:1   |
| Customer Drawing   |  | A200779C-2106003              |                 | SHEET 1 OF 4 REV C   |