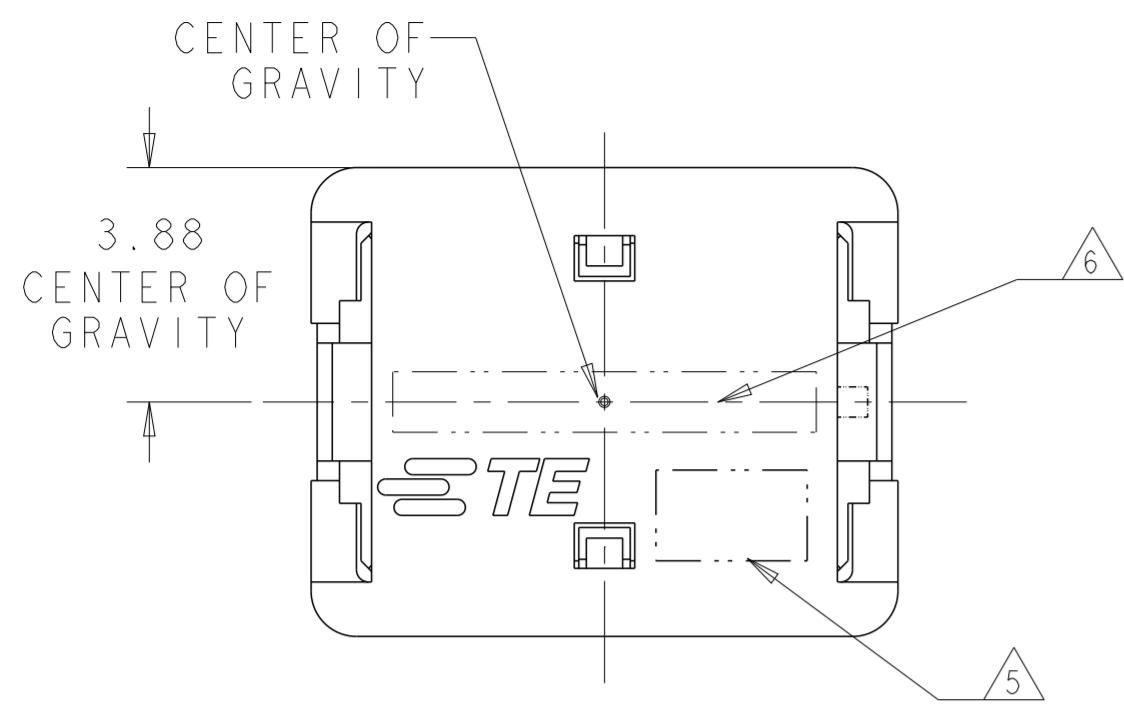


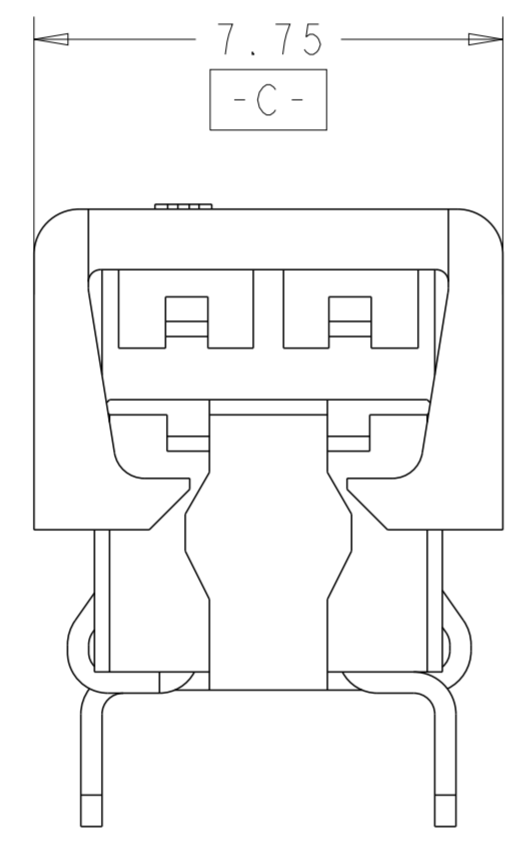
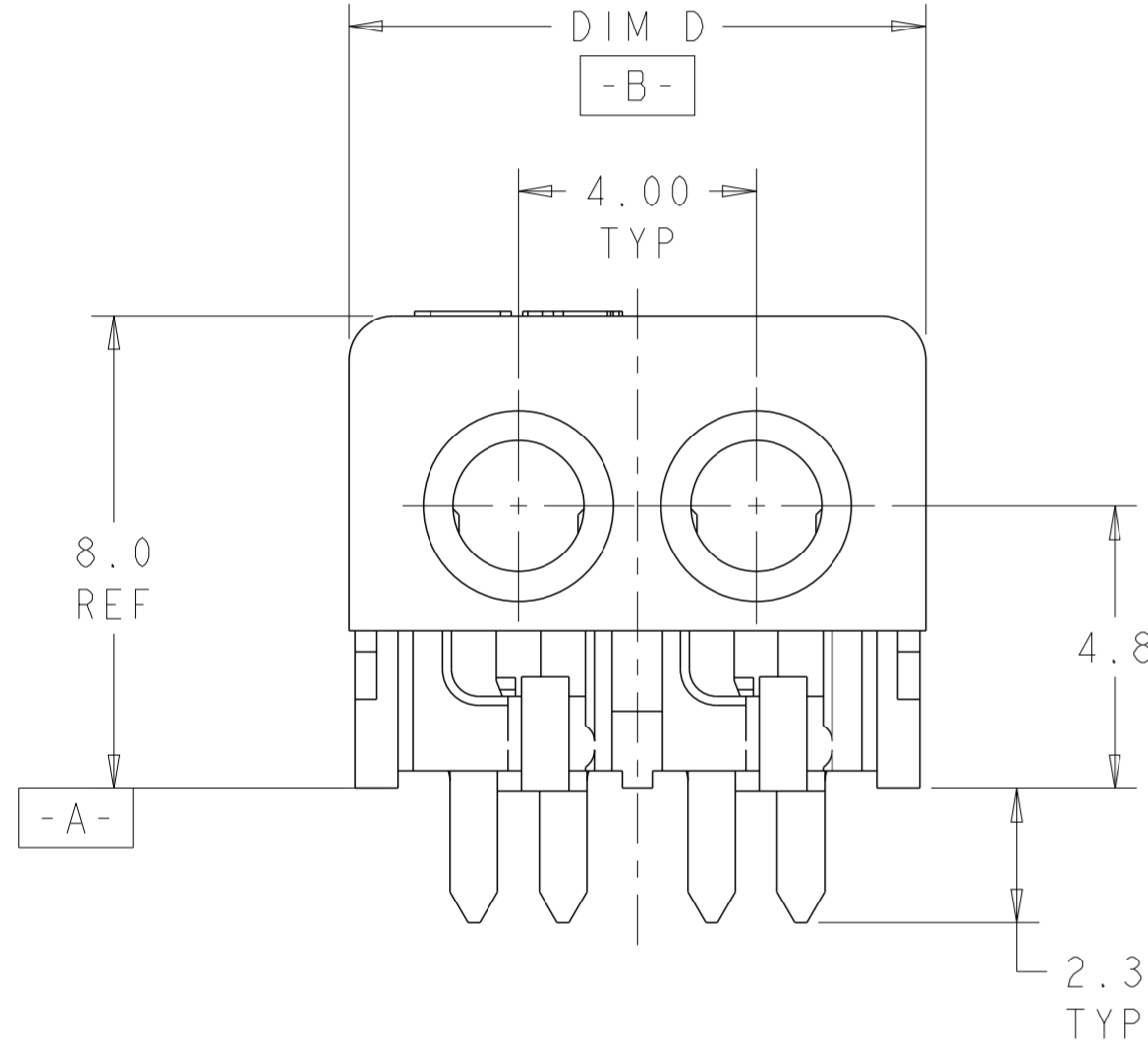
THIS DRAWING IS UNPUBLISHED. RELEASED FOR PUBLICATION 20
 © COPYRIGHT 20 BY - ALL RIGHTS RESERVED.

LOC		DIST		REVISIONS			
P	LTR	DESCRIPTION		DATE	DWN	APVD	
	AI	REVISED PER ECR-12-003555		19APR2012	RS	DD	
	A2	REVISED PER ECR-12-016877		20OCT2012	RS	DD	
	B	REVISED PER ECR-15-004054		28JUL2015	RS	DD	
	C	REVISED PER ECR-15-017995		18DEC2015	RS	DD	



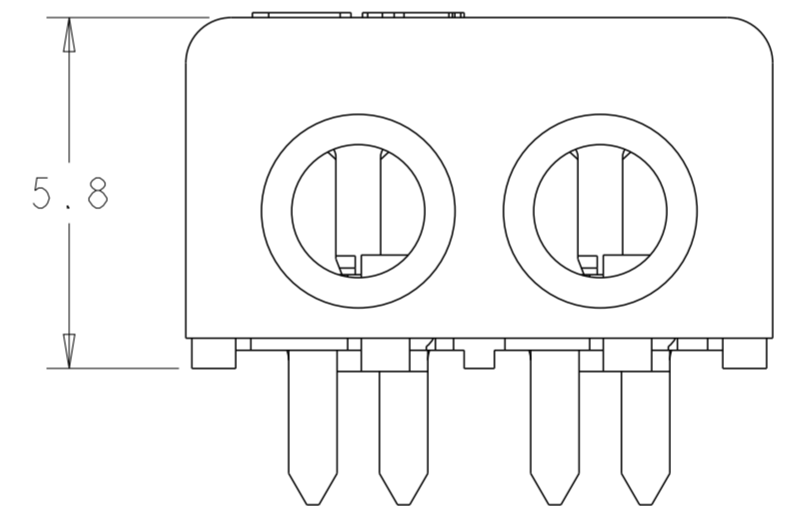
1. MATERIALS AND FINISH:
 - HOUSING: LCP, COLOR: NATURAL
 - CONTACTS: COPPER ALLOY, FINISH: Sn OVER Ni
2. COMPLY WITH DIRECTIVE 2002/95/EC (ROHS)
3. 18-24AWG SOLID OR STRANDED WIRE.
 PLEASE REFER TO APPLICATION SPEC 114-13266 FOR RECOMMENDED STRAND COUNT.
 18 AWG MAX INSULATION OD 2.20
 20 AWG MAX INSULATION OD 1.90
 22 AWG MAX INSULATION OD 1.70
 24 AWG MAX INSULATION OD 1.45

2 POSITION SHOWN AS SHIPPED

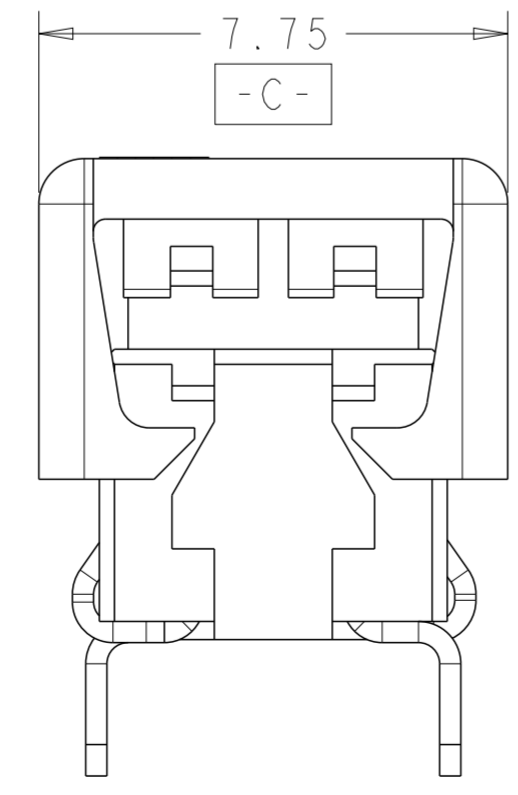
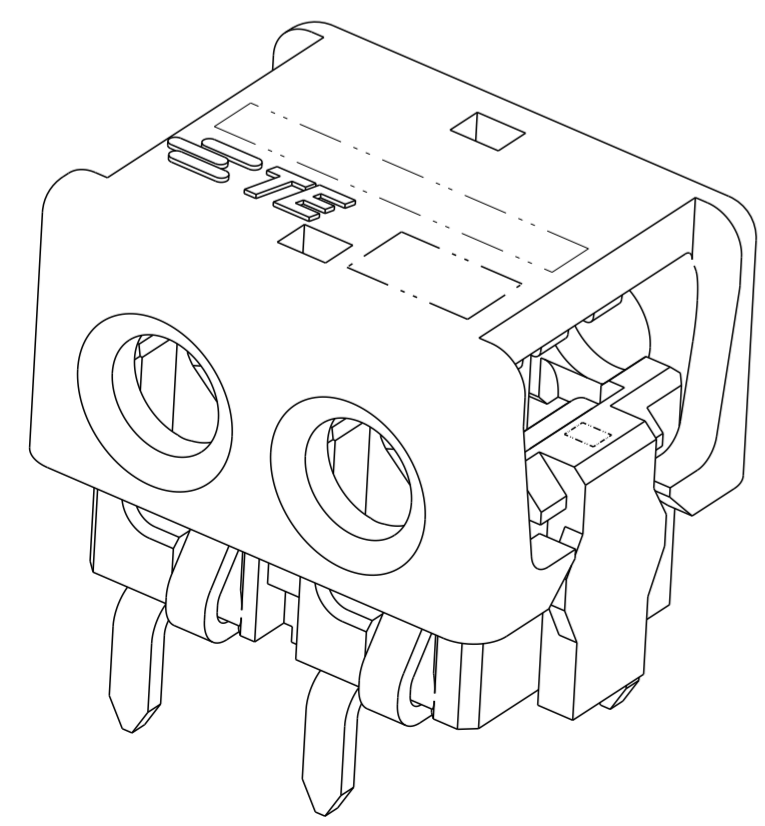


FOR 2, 3 AND 4 POSITIONS

4. PACKAGE IN TAPE AND REEL PER EIA-481 SPECIFICATION
5. WIRE SIZE MARKING IN APPROXIMATE LOCATION SHOWN.
6. COLOR CODE MARKING, STRAIGHT LINE.
7. ONE POSITION ASSEMBLY DOES NOT COMPLY WITH EIA 481 SPECIFICATION.



COLOR CODE	DIM D	WIRE SIZE	POSN	PART NUMBER
RED	17.70	24 AWG	4	3-2106751-4
	13.70	24 AWG	3	3-2106751-3
	9.70	24 AWG	2	3-2106751-2
	5.70	24 AWG	1	7 3-2106751-1
GREEN	17.70	22 AWG	4	2-2106751-4
	13.70	22 AWG	3	2-2106751-3
	9.70	22 AWG	2	2-2106751-2
	5.70	22 AWG	1	7 2-2106751-1
BLUE	17.70	20 AWG	4	1-2106751-4
	13.70	20 AWG	3	1-2106751-3
	9.70	20 AWG	2	1-2106751-2
	5.70	20 AWG	1	7 1-2106751-1
YELLOW	17.70	18 AWG	4	2106751-4
	13.70	18 AWG	3	2106751-3
	9.70	18 AWG	2	2106751-2
	5.70	18 AWG	1	7 2106751-1



FOR 1 POSITION ONLY

THIS DRAWING IS A CONTROLLED DOCUMENT.

DWN: WM VAN SCYOC 26AUG2009
 CHK: O. OSAGIE 26AUG2009

APVD: -

NAME: -

PRODUCT SPEC: 108-2404

APPLICATION SPEC: 114-13266

WEIGHT: -

Customer Drawing

SCALE: 8:1

SHEET 1 OF 3

REV C

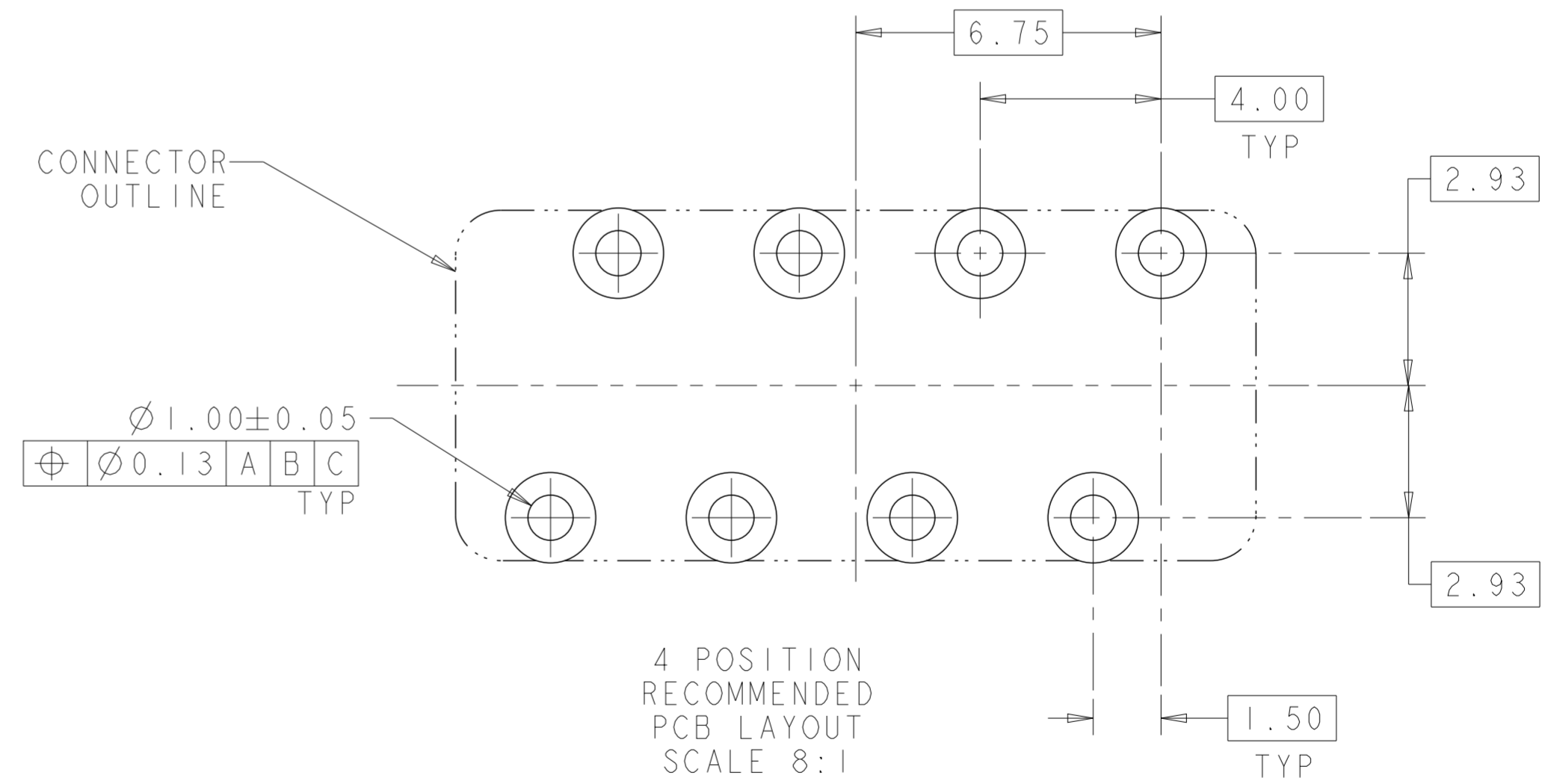
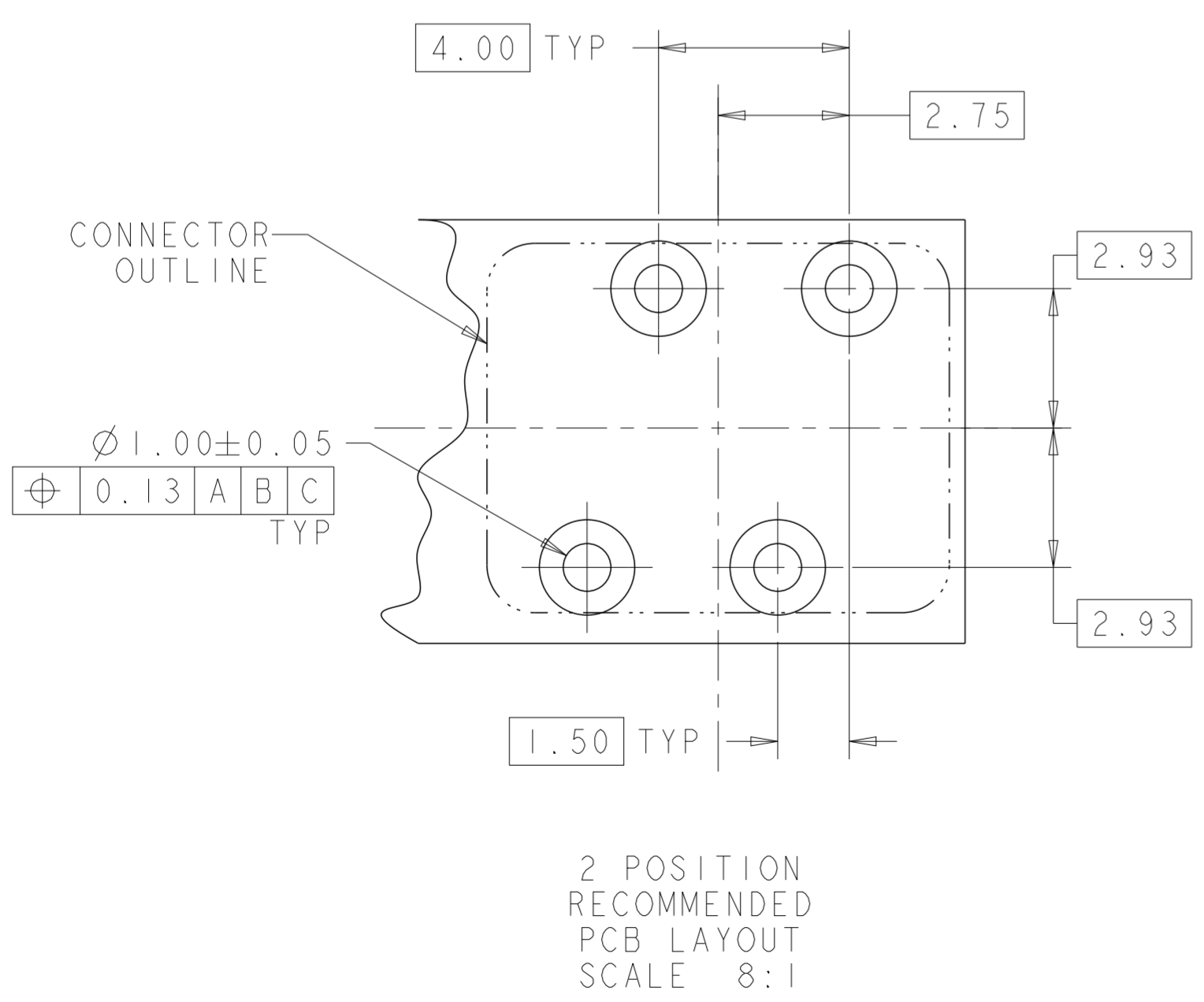
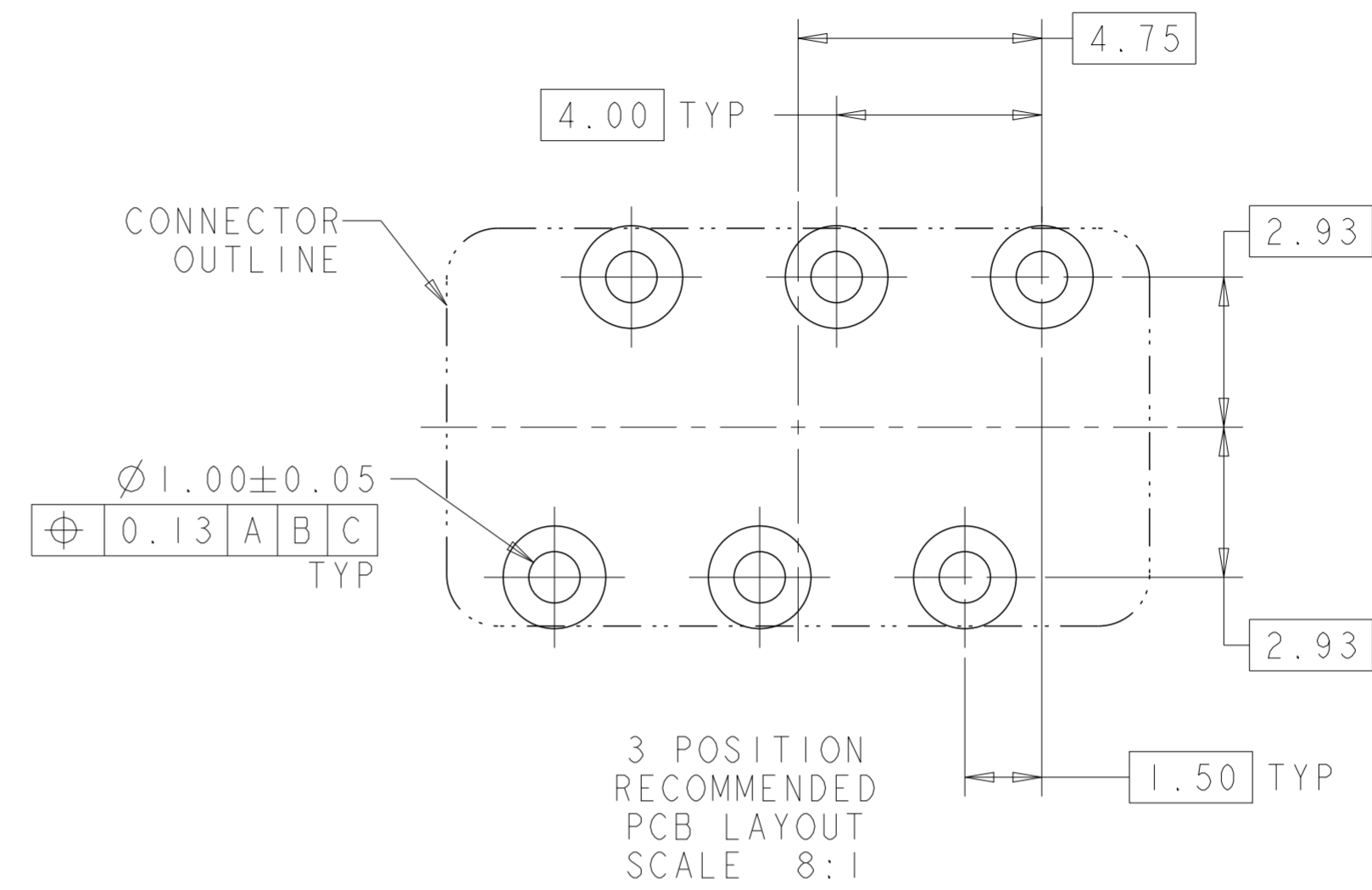
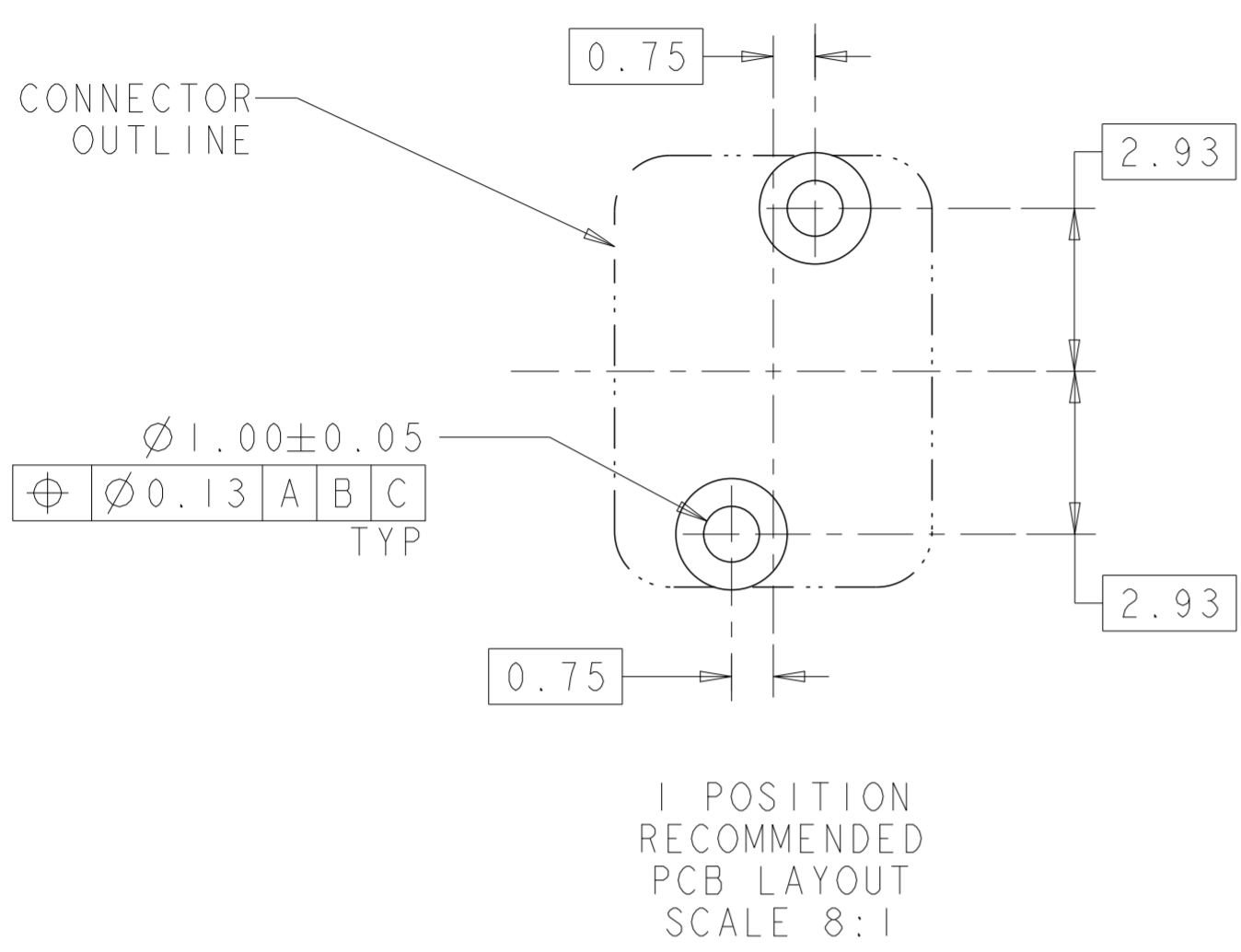
STE TE Connectivity

ASSEMBLY, IDC SSL CONNECTOR, THROUGH HOLE, PASS THRU

SIZE: A2 CAGE CODE: 00779 DRAWING NO: C-2106751 RESTRICTED TO: -

THIS DRAWING IS UNPUBLISHED. RELEASED FOR PUBLICATION 20
 © COPYRIGHT 20 BY - ALL RIGHTS RESERVED.

LOC		DIST		REVISIONS			
P	LTR	DESCRIPTION		DATE	DWN	APVD	
-	-	SEE SHEET 1		-	-	-	



THIS DRAWING IS A CONTROLLED DOCUMENT.		DWN 26AUG2009 WM VAN SCYOC	STE TE Connectivity	
		CHK 26AUG2009 O OSAGIE		
DIMENSIONS:	TOLERANCES UNLESS OTHERWISE SPECIFIED:	APVD -	NAME ASSEMBLY, IDC SSL CONNECTOR, THROUGH HOLE, PASS THRU	
mm	0 PLC ± 1 PLC ±0.5 2 PLC ±0.13 3 PLC ± 4 PLC ±	PRODUCT SPEC 108-2404	SIZE CAGE CODE DRAWING NO	
MATERIAL	FINISH	APPLICATION SPEC 114-13266	A200779 C-2106751	
material_2	finish_spec_2	WEIGHT -	RESTRICTED TO	
Customer Drawing			SCALE 8:1	SHEET 1 OF 3 REV C