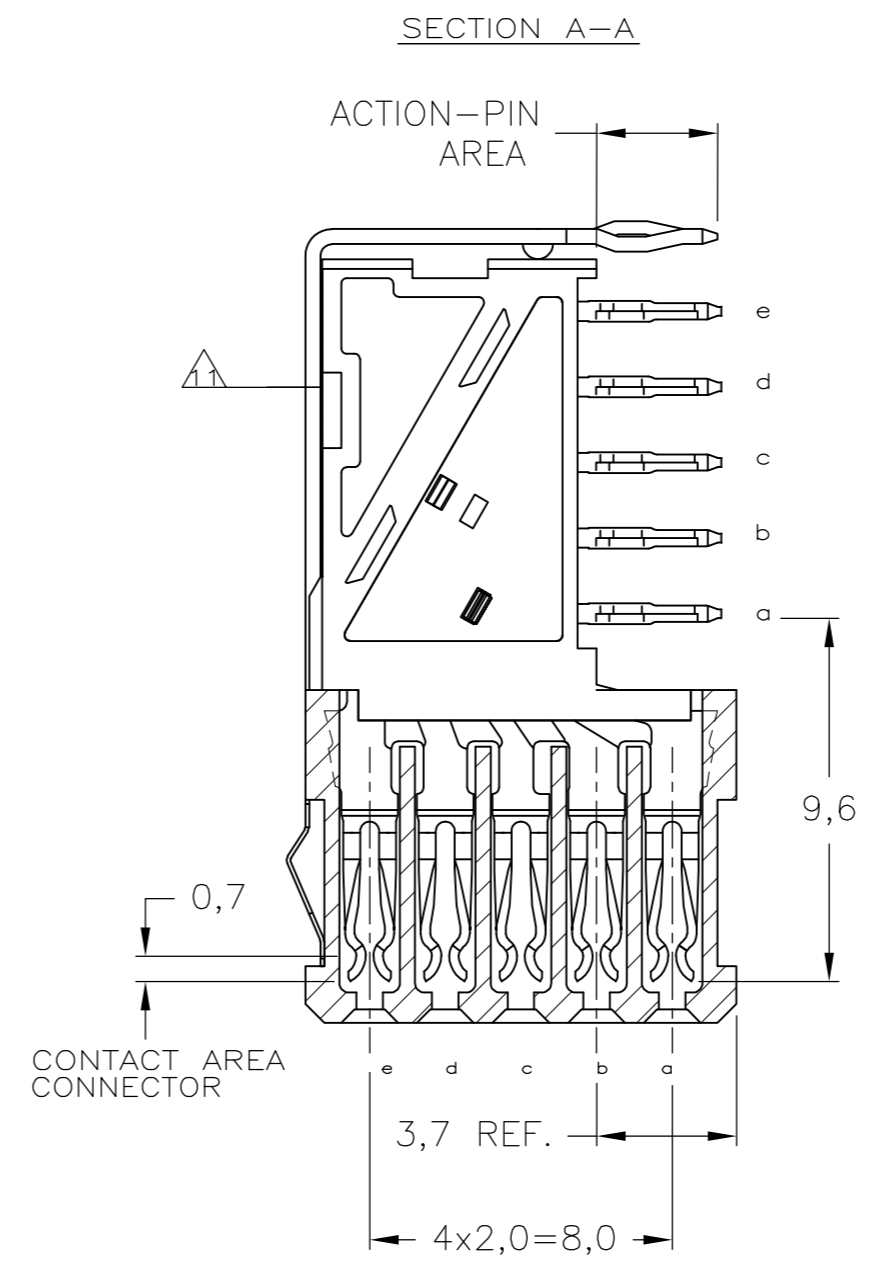
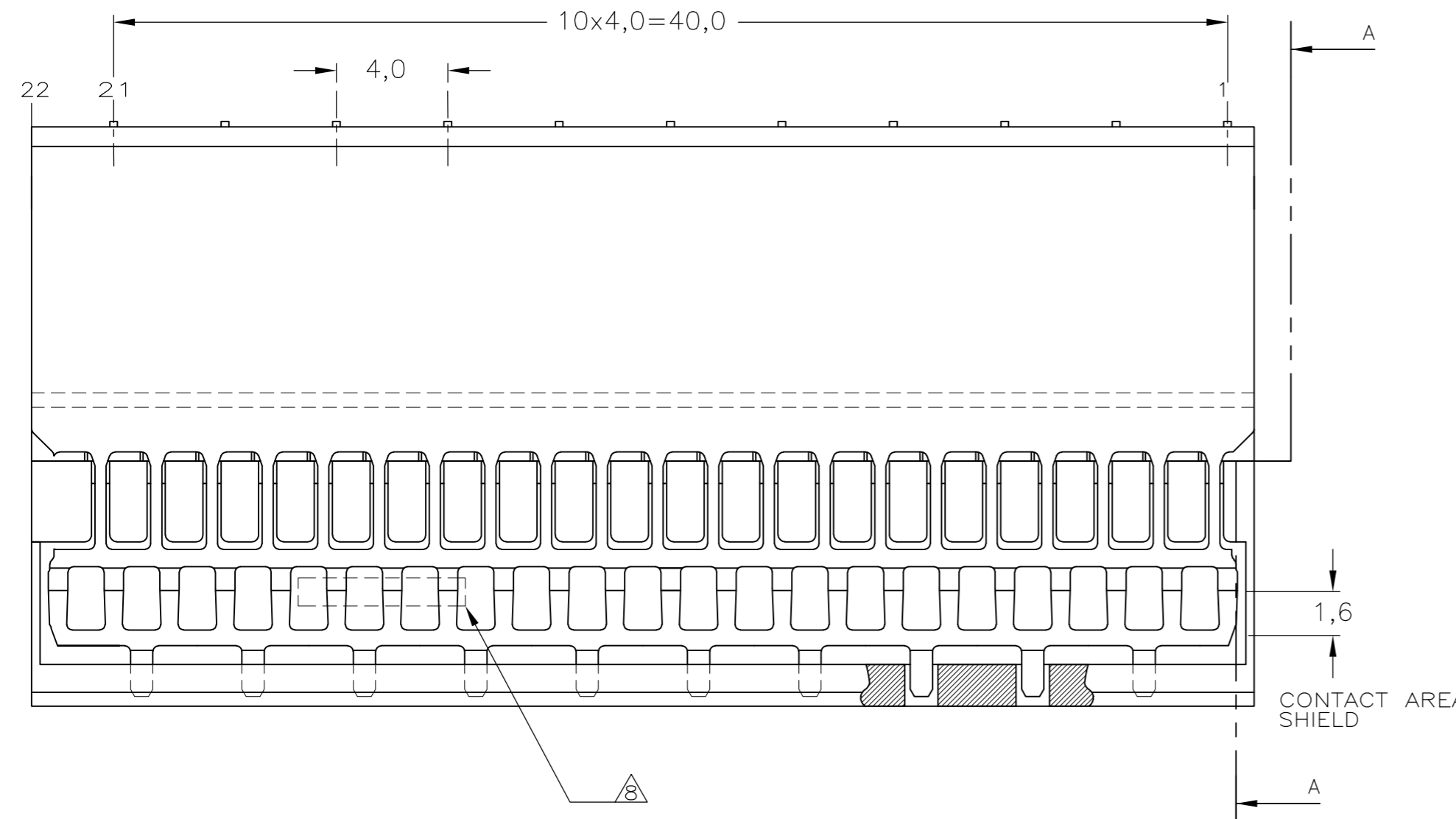
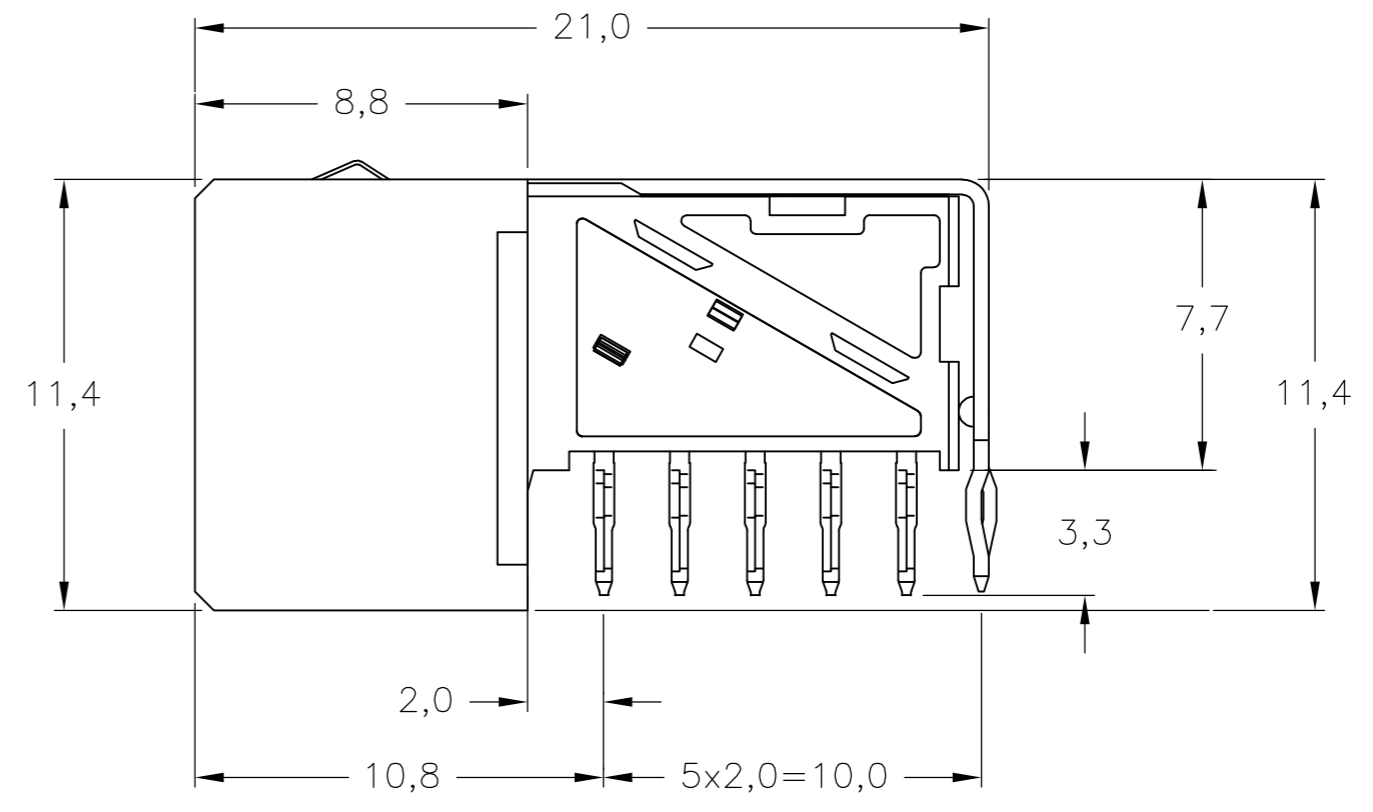
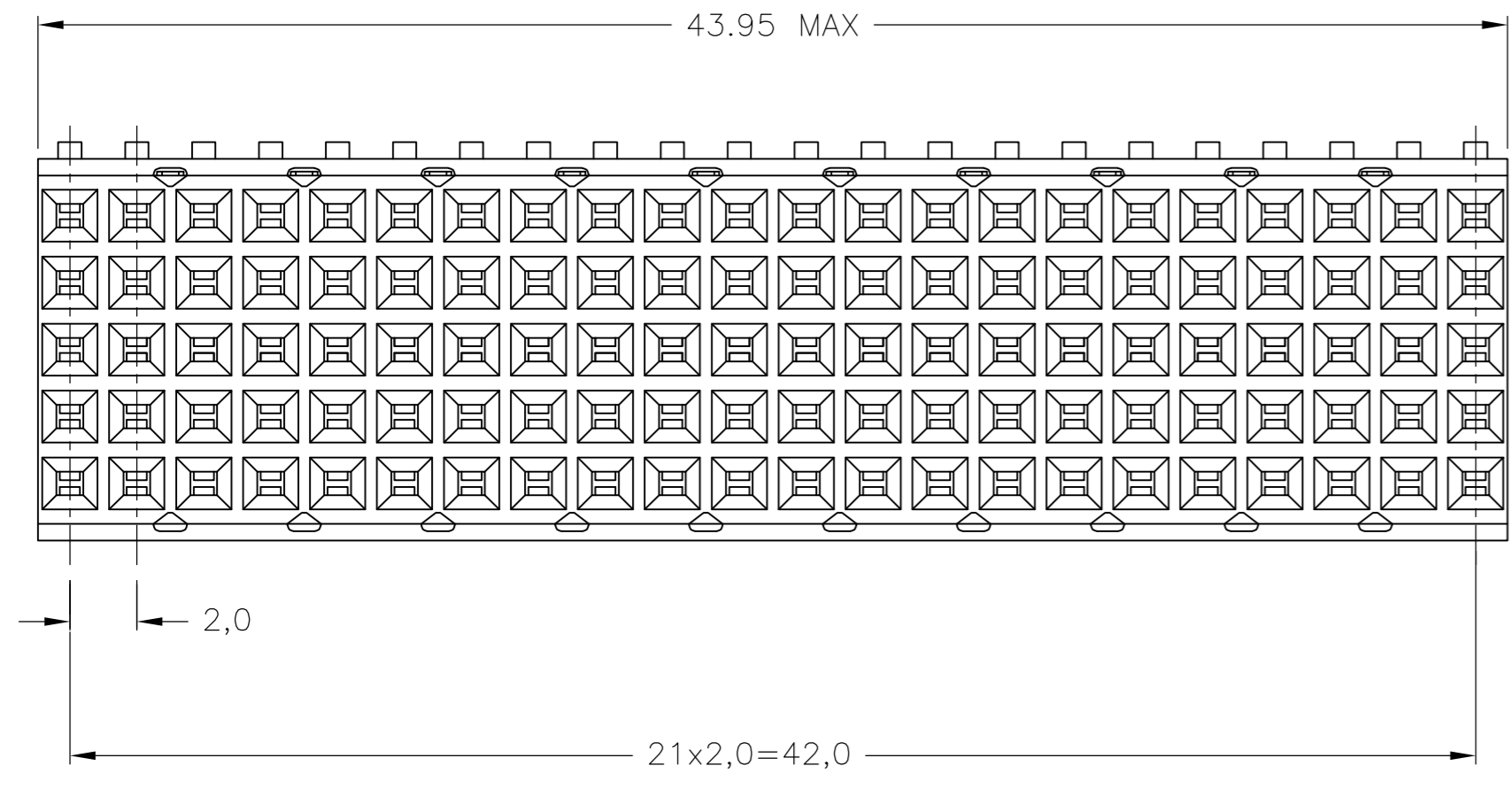


THIS DRAWING IS UNPUBLISHED. RELEASED FOR PUBLICATION
 © COPYRIGHT - By - ALL RIGHTS RESERVED.

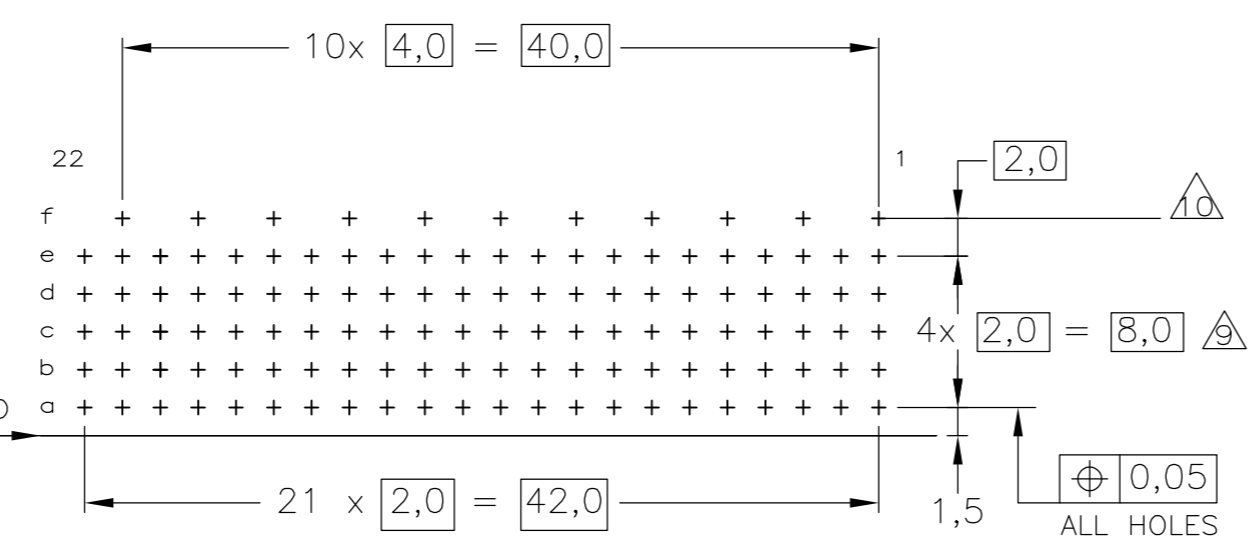
LOC		DIST		REVISIONS			
P	LTR	DESCRIPTION	DATE	DWN	APVD		
F		REVISED PER ECO-13-014710	08NOV2013	SY	FY		



- NOTES:
- ⚠ MATERIAL CONTACTS; PHOSPHORBRONZE
 - ⚠ MATERIAL HOUSING; GLASSFILLED POLYESTER (GRAY)
 - ⚠ GENERAL PLATING SPECIFICATION: UNDERPLATING (ENTIRE CONTACT): 1,27µm NICKEL MIN. AND ACTION PIN: 0,5µm TIN MIN. FOR PLATING OF MATING SURFACES SEE APPLICABLE SPECIFICATION REFERENCE FOR EACH DASH NUMBER.
 - ⚠ CONFORMS TO ALL TESTING ACCORDING IEC 61076-4-101 PERFORMANCE LEVEL 2.
 - ⚠ CONFORMS TO ALL TESTING ACCORDING IEC 61076-4-101 PERFORMANCE LEVEL 1.
 - ⚠ CONNECTOR TESTED AND QUALIFIED AGAINST TELCORDIA GR-1217-CORE QUALITY LEVEL III, CENTRAL OFFICE APPLICATIONS.
 - ⚠ CONNECTOR LUBRICATED WITH TELCORDIA GR-1217-CORE APPROVED LUBRICANT.
 - ⚠ ASSEMBLY PRINTED WITH P/N AND DATECODE
 - ⚠ THE MARKING CAN APPEAR ON THE FRONT SIDE OR BACK SIDE.
 - ⚠ HOLE PATTERN FOR FEMALE CONNECTOR TYPE B-22 COLUMNS
 - ⚠ 110 PLATED-THROUGH HOLES AT 2x2mm SQUARE GRID
 - ⚠ ROW "f" 11 PLATED THROUGH HOLES FOR UPERSHIELD
 - ⚠ SHIELD MOUNTED ON CONNECTOR WITH DOUBLE SIDED ADHESIVE TAPE OR ADHESIVE
 - 12 BASIC P.N. LOWERSHIELD : 5352468.
 - ⚠ OBSOLETE PARTS: OBSOLETE CIS STREAMLINING PER D.RENAUD/D.SINISI
 - ⚠ 0.76µm MIN GOLD PLATING AT MATING SURFACE



COMPONENT SIDE AS SHOWN
 RECOMMENDED PCB-HOLE LAY-OUT
 SCALE 2,5:1



P.C.B. HOLE DIM. ACTION PIN
 FOR DETAILS SEE
 APPLICATION SPECIFICATION

13	OBSOLETE	⚠⚠⚠	⚠	3-5352152-0
		⚠⚠⚠	⚠	5352152-9
		⚠⚠	⚠	5352152-4
		⚠⚠	⚠	5352152-1
		⚠⚠	⚠	
		FINISH	MATERIAL	PART NUMBER

THIS DRAWING IS A CONTROLLED DOCUMENT.

DIMENSIONS: mm	TOLERANCES UNLESS OTHERWISE SPECIFIED: ±0.2	DWN: K.N.KIRAN 20AUG2004	NAME: B.MOOIJ
		CHK: B.MOOIJ 27OCT2004	TE Connectivity
		APVD: B.MOOIJ 27OCT2004	Z-PACK 2mm HM
		PRODUCT SPEC: 108-19082	TYPE B - 22 COLUMNS
		APPLICATION SPEC: 114-19029	PRE-SHIELDED RECEPTACLE
MATERIAL: -	FINISH: -	WEIGHT: -	RESTRICTED TO: -
		CUSTOMER DRAWING	SCALE: 5:1 SHEET: 1 OF 1 REV: F