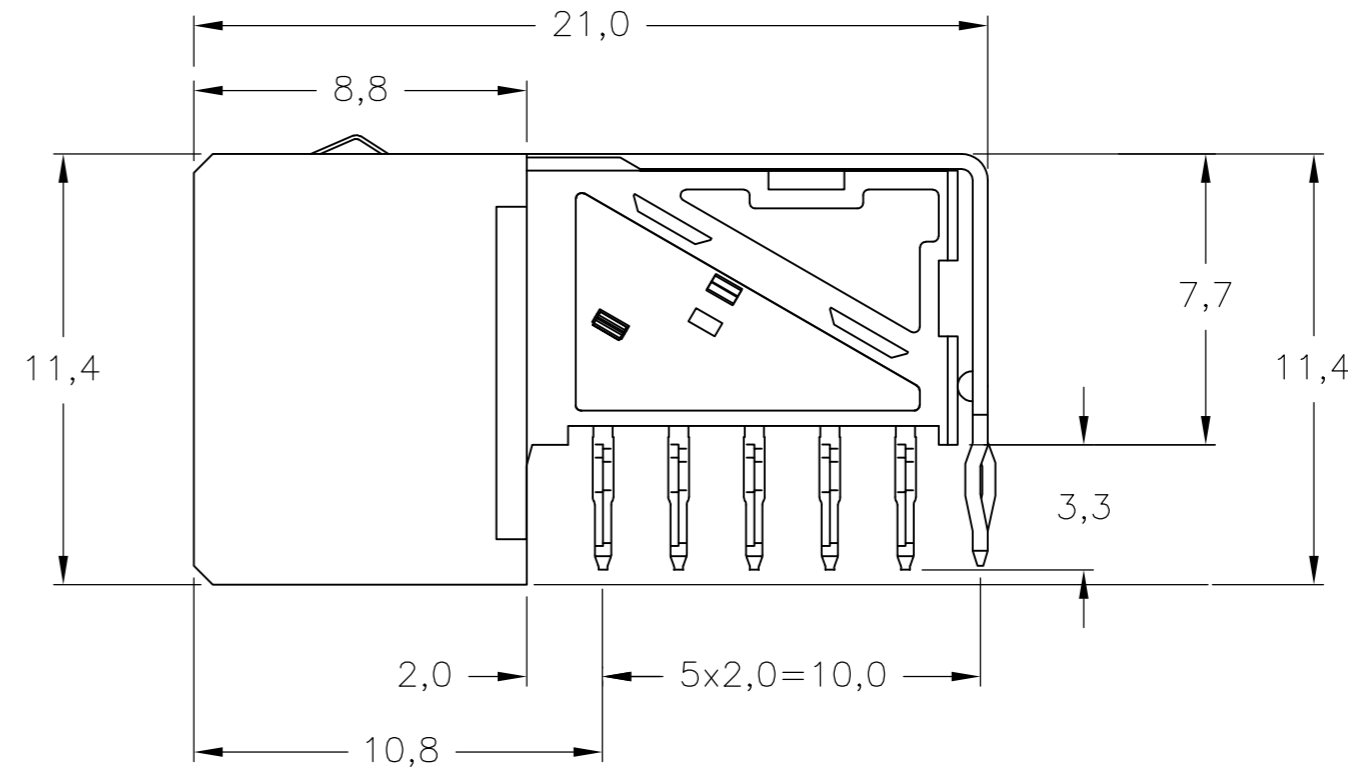
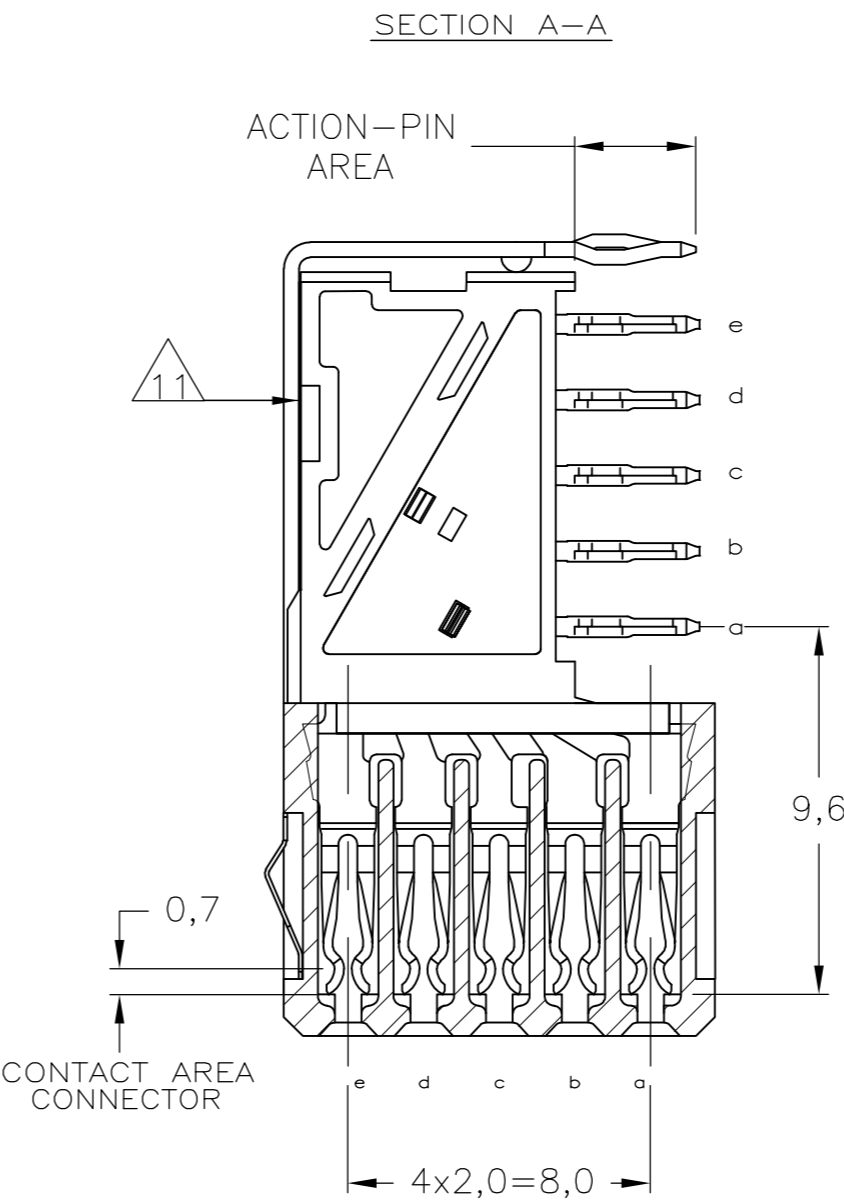
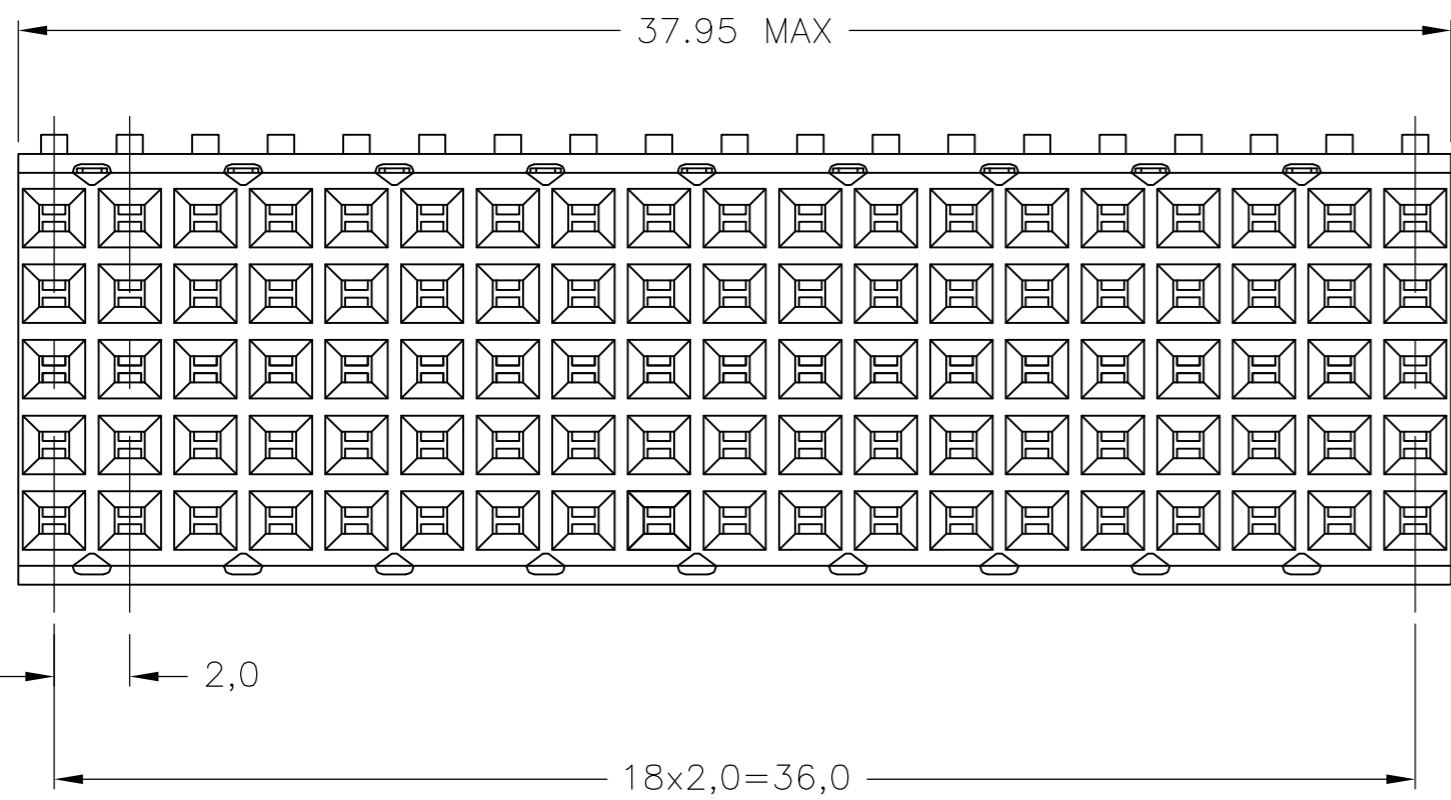
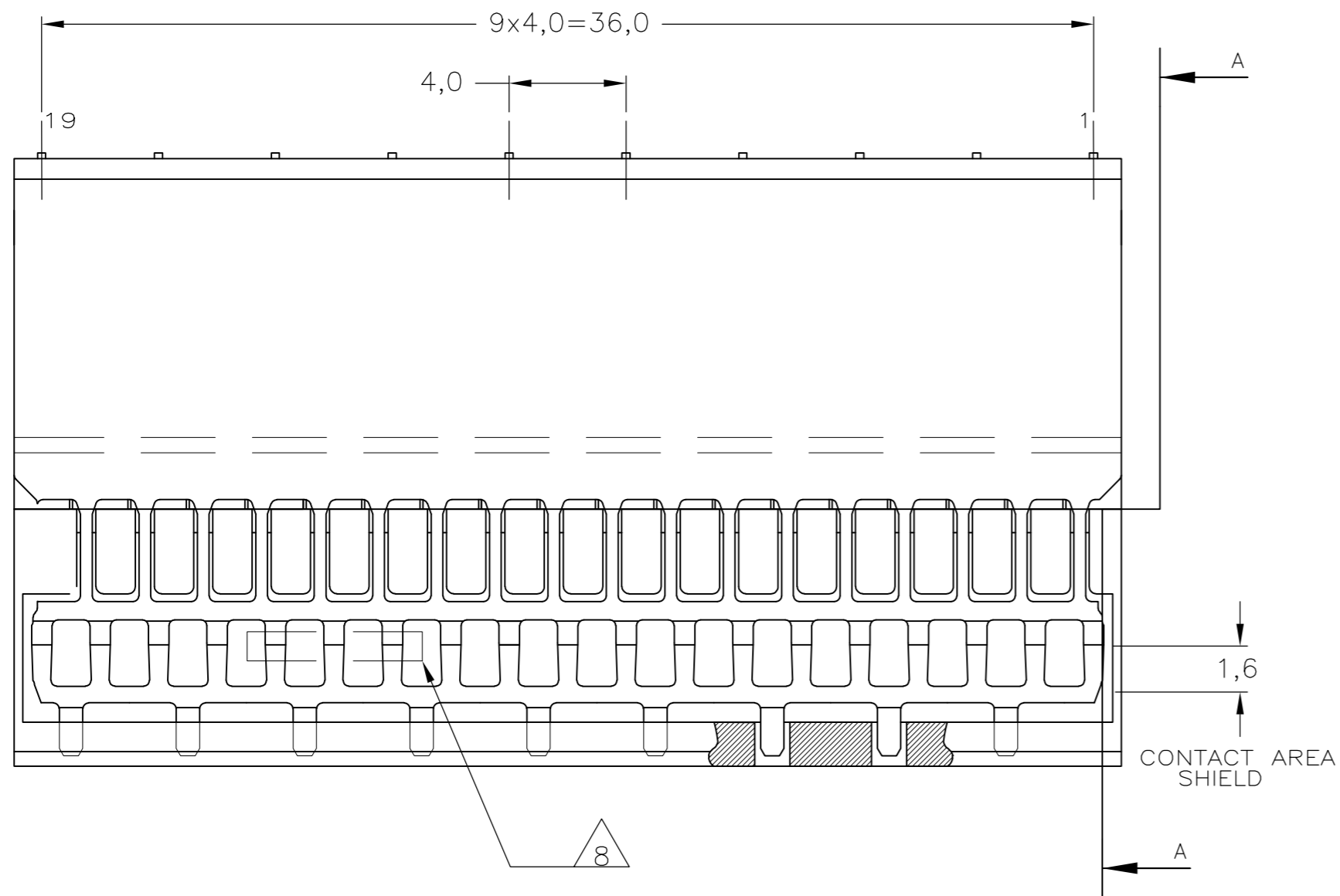


THIS DRAWING IS UNPUBLISHED. RELEASED FOR PUBLICATION
 © COPYRIGHT - By - ALL RIGHTS RESERVED.

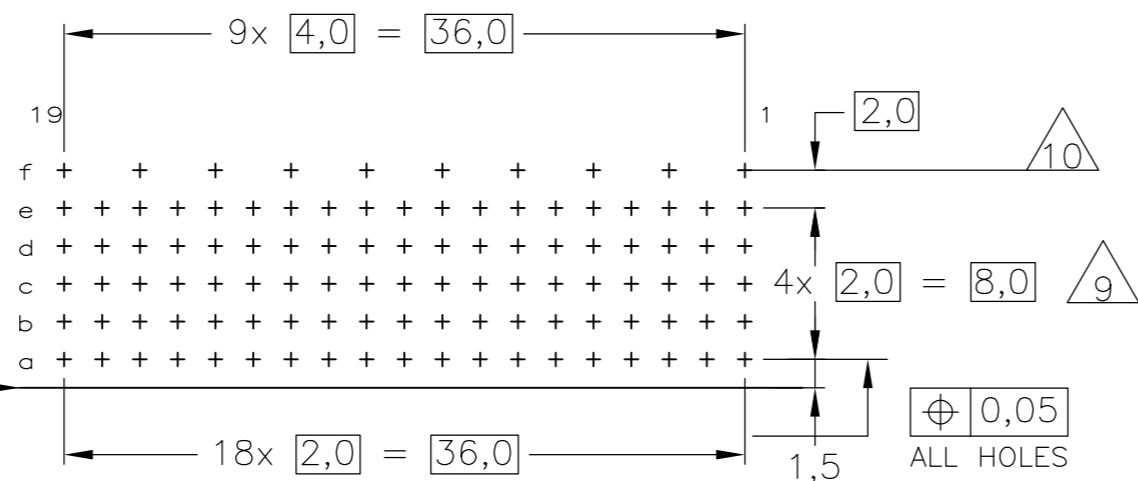
REVISIONS					
P	LTR	DESCRIPTION	DATE	DWN	APVD
F		REVISED PER ECR-16-013298	02JUN2017	FL	SY



NOTES:

- 1 MATERIAL CONTACTS; PHOSPHORBRONZE
- 2 MATERIAL HOUSING; GLASSFILLED POLYESTER (GRAY)
- 3 GENERAL PLATING SPECIFICATION: UNDERPLATING (ENTIRE CONTACT): 1,27µm NICKEL MIN. AND ACTION PIN: 0,5µm TIN MIN. FOR PLATING OF MATING SURFACES SEE APPLICABLE SPECIFICATION REFERENCE FOR EACH DASH NUMBER.
- 4 CONFORMS TO ALL TESTING ACCORDING IEC 61076-4-101 PERFORMANCE LEVEL 2.
- 5 CONFORMS TO ALL TESTING ACCORDING IEC 61076-4-101 PERFORMANCE LEVEL 1.
- 6 CONNECTOR TESTED AND QUALIFIED AGAINST TELCORDIA GR-1217-CORE QUALITY LEVEL III, CENTRAL OFFICE APPLICATIONS.
- 7 CONNECTOR LUBRICATED WITH TELCORDIA GR-1217-CORE APPROVED LUBRICANT.
- 8 ASSEMBLY PRINTED WITH P/N AND DATECODE
- 9 THE MARKING CAN APPEAR ON THE FRONT SIDE OR BACK SIDE.
- 10 HOLE PATTERN FOR FEMALE CONNECTOR TYPE B-19 COLUMNS
- 11 95 PLATED-THROUGH HOLES AT 2x2mm SQUARE GRID
- 12 ROW "f" 10 PLATED THROUGH HOLES FOR UPERSHIELD SHIELD MOUNTED ON CONNECTOR WITH DOUBLE SIDED ADHESIVE TAPE OR ADHESIVE
- 13 BASIC P.N. LOWERSHIELD : 5352029.
- 14 0.76mm MIN GOLD PLATING AT MATING SURFACE

COMPONENT SIDE AS SHOWN
 RECOMMENDED PCB-HOLE LAY-OUT
 SCALE 2,5:1



P.C.B. HOLE DIM. ACTION PIN
 FOR DETAILS SEE
 APPLICATION SPECIFICATION

EDGE OF P.C.BOARD

OBSOLETE	2 3 13	1	3-5352171-0
	2 5 6	1	5352171-9
	2 4	1	5352171-4
	2 3	1	5352171-1
	FINISH		MATERIAL

THIS DRAWING IS A CONTROLLED DOCUMENT.		DWN K.N.KIRAN 21AUG2004	TE Connectivity	
DIMENSIONS: mm		CHK B.MOOIJ 27OCT2004	NAME	
TOLERANCES UNLESS OTHERWISE SPECIFIED: ±0.2		APVD B.MOOIJ 27OCT2004	Z-PACK 2mm HM TYPE B - 19 COLUMNS PRE-SHIELDED RECEPTACLE	
MATERIAL		PRODUCT SPEC 108-19082	SIZE A2	RESTRICTED TO
FINISH		APPLICATION SPEC 114-19029	CAGE CODE 00779	DRAWING NO C=5352171
WEIGHT 0.000000		CUSTOMER DRAWING	SCALE 5:1	SHEET 1 of 1
REV F		REV		