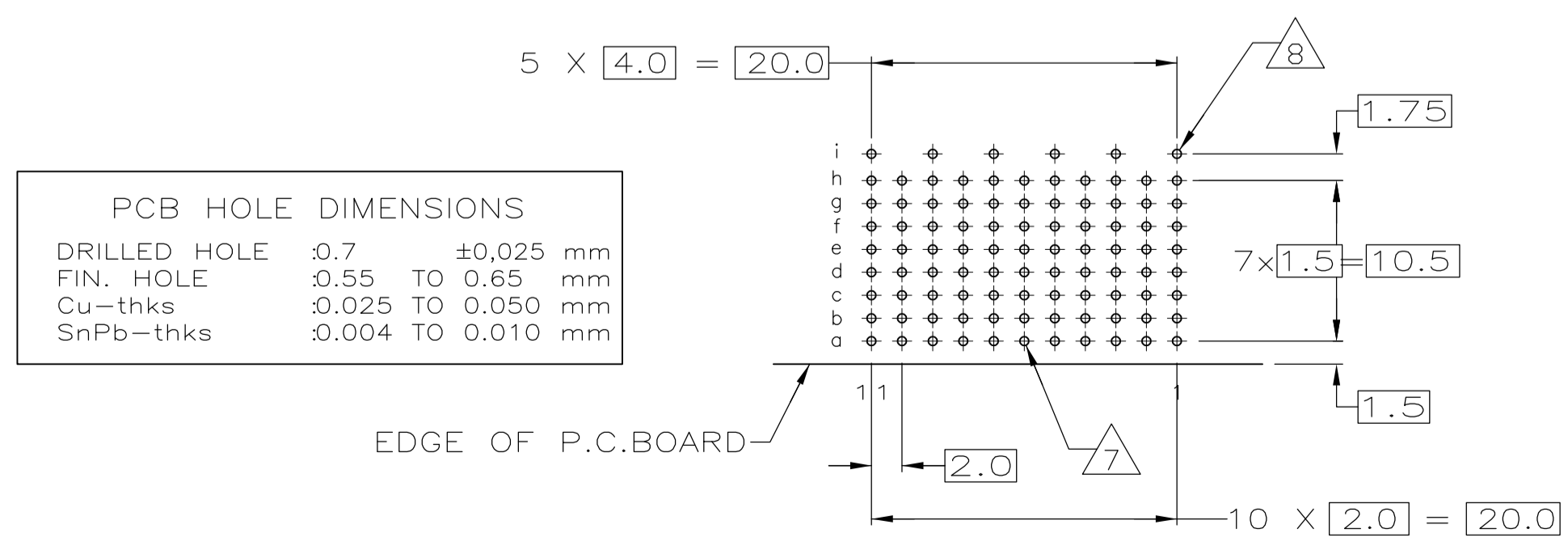
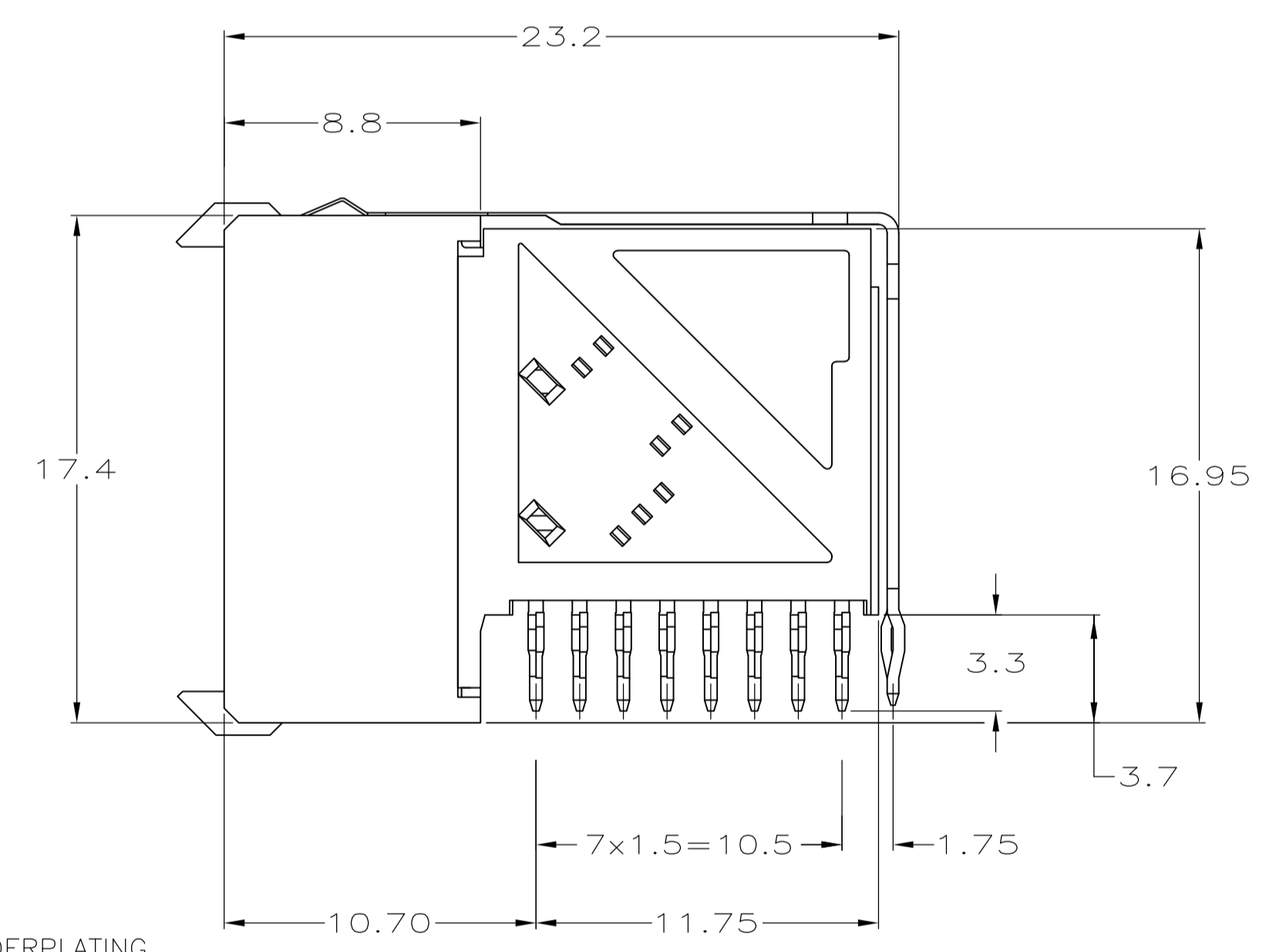
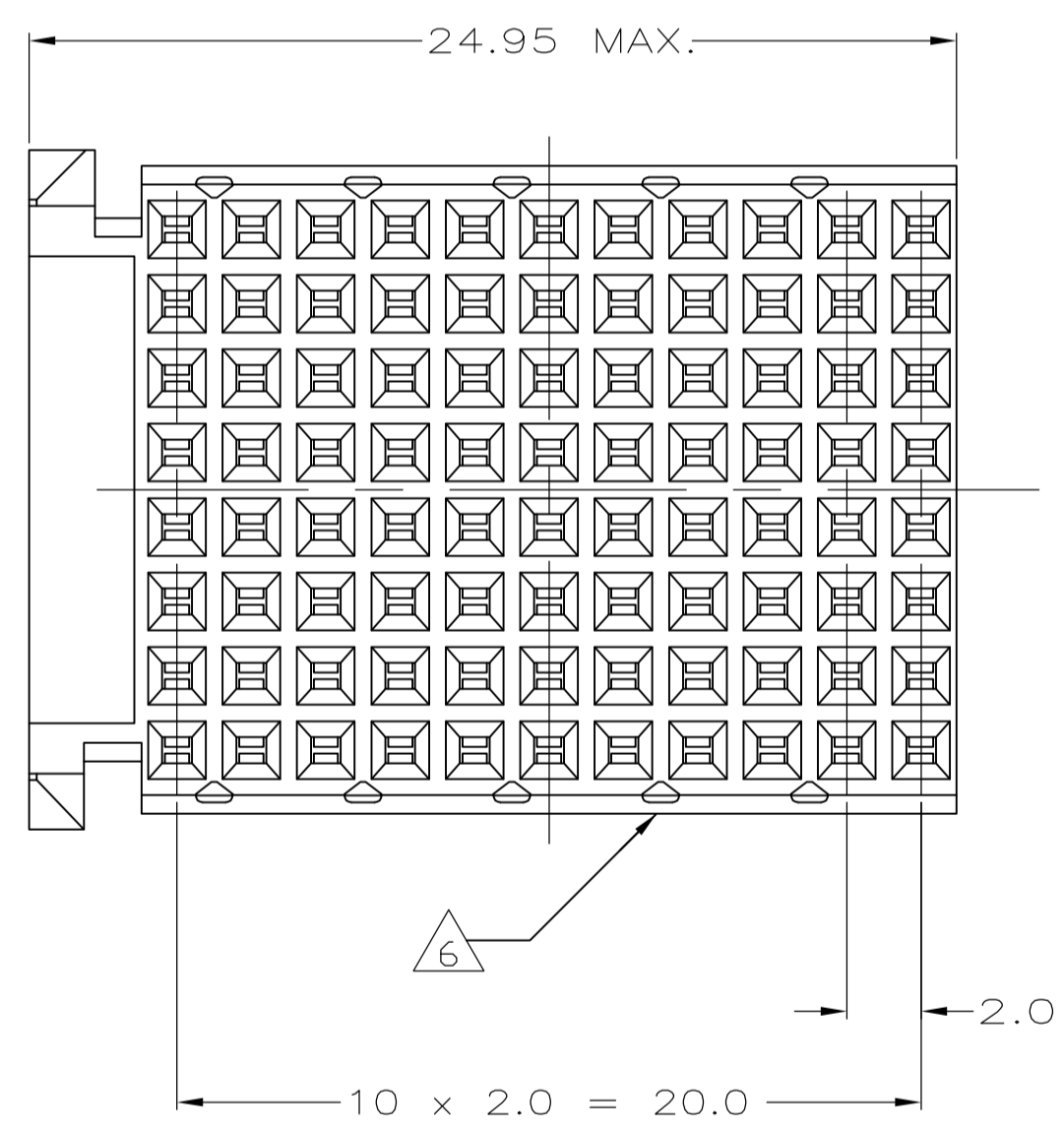
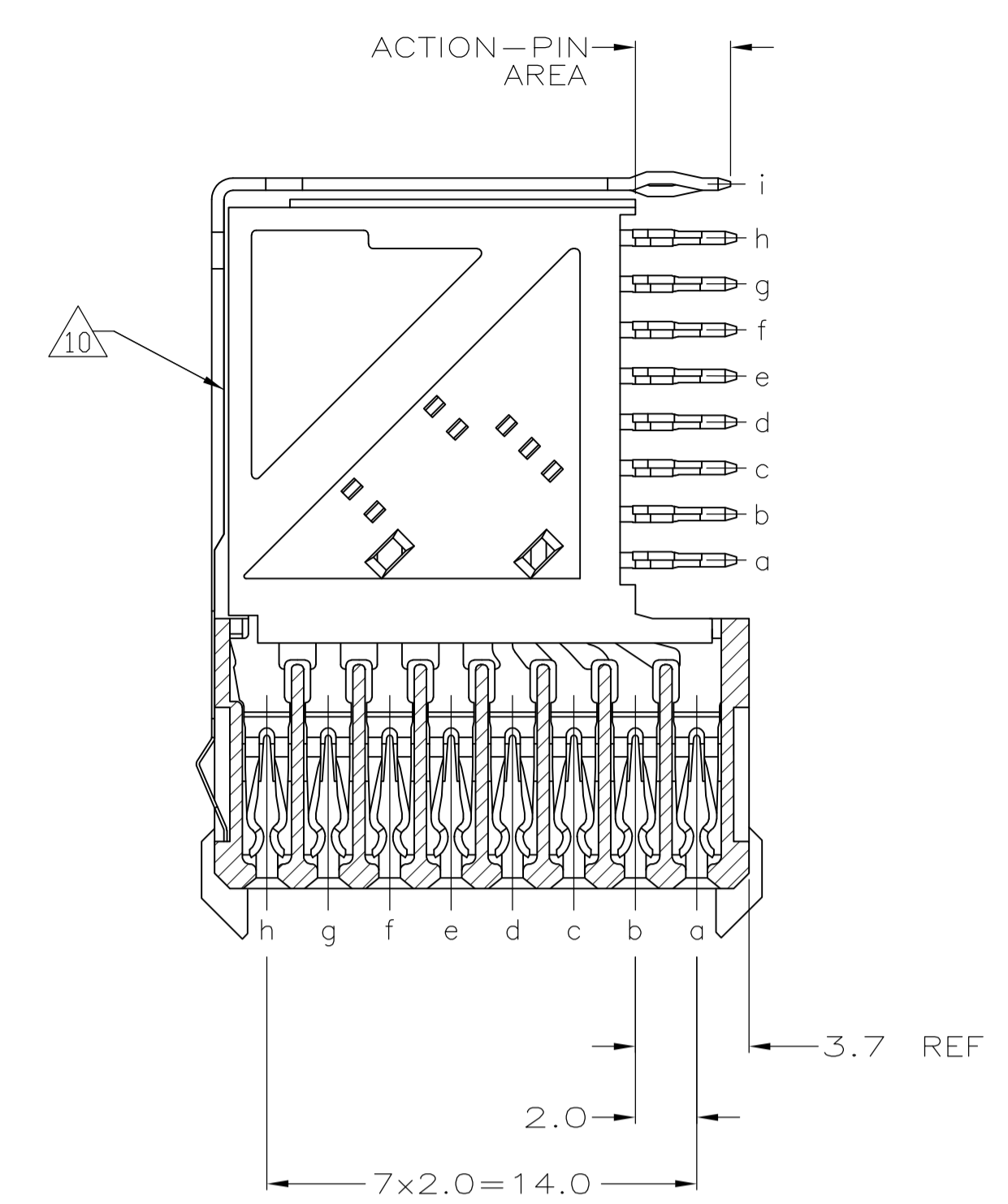
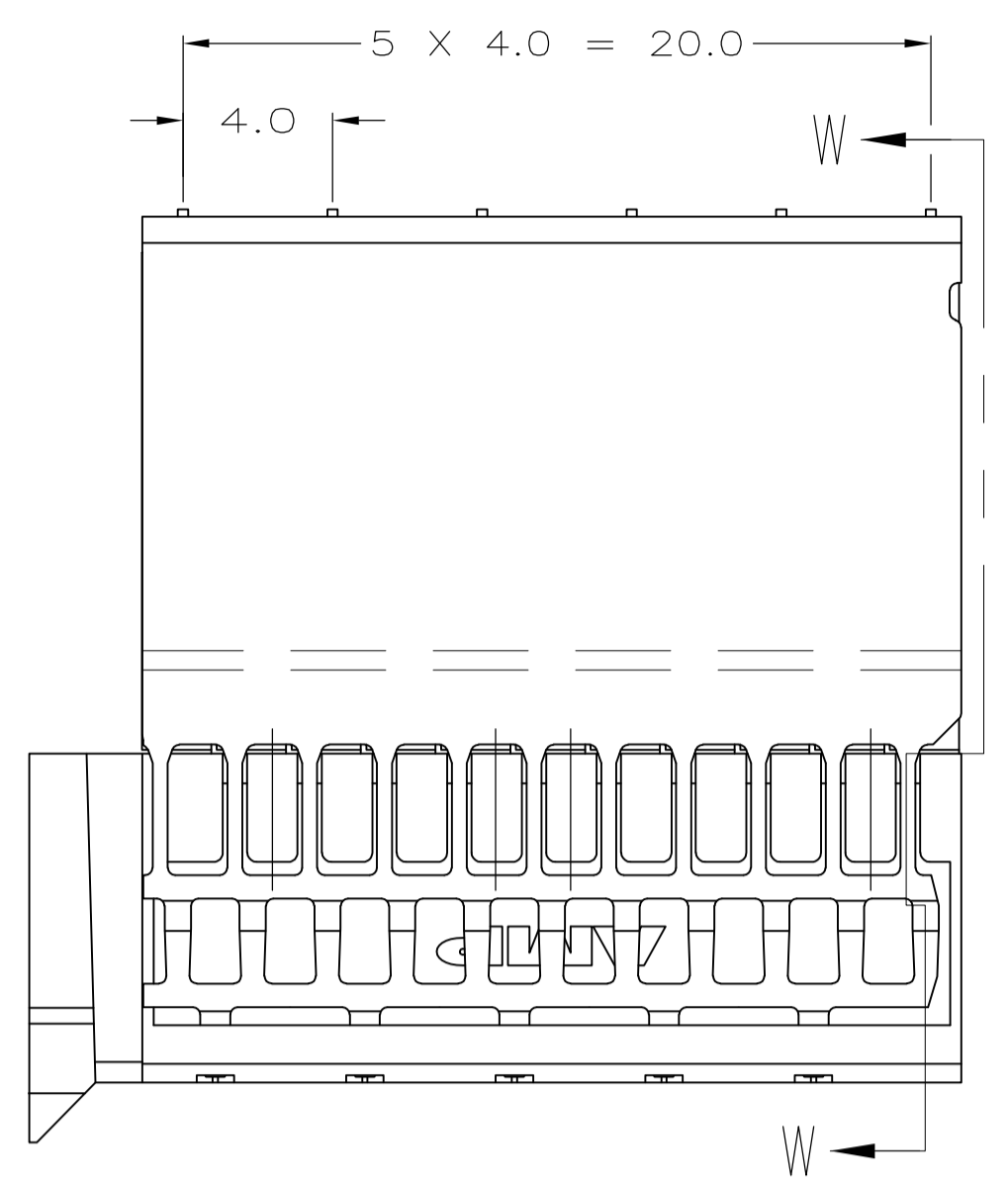


LOC		DIST		REVISIONS			
P	LTR	DESCRIPTION	DATE	DN	APVD		
J2		REVISED PER ECO-10-001916	09MAR2010	JY	SY		
K		ECR-10-018652	10SEP10	JS	MQW		
L		ECO-11-024491	13DEC11	SY	MQW		
M		ECR-12-010544	05DEC12	SY	AC		



PCB HOLE DIMENSIONS		
DRILLED HOLE	0.7	±0.025 mm
FIN. HOLE	0.55 TO 0.65	mm
Cu-thks	0.025 TO 0.050	mm
SnPb-thks	0.004 TO 0.010	mm

- 1 MATERIAL:  
CONTACT: PHOSPHOR BRONZE.  
HOUSING: GLASS-FILLED POLYESTER.
- 2 GENERAL PLATING SPECIFICATION: UNDERPLATING  
(ENTIRE CONTACT): 1.27µm MIN NICKEL AND ACTION  
PIN: 0.5µm MIN TIN/LEAD.  
FOR PLATING OF MATING SURFACES SEE APPLICABLE  
SPECIFICATION REFERENCE FOR EACH DASH NUMBER.
- 3 CONFORMS TO ALL TESTING ACCORDING TO IEC 61076-4-101  
PERFORMANCE LEVEL 2.
- 4 CONNECTOR TESTED AND QUALIFIED AGAINST TELCORDIA GR-1217-CORE QUALITY LEVEL 3,  
CENTRAL OFFICE APPLICATIONS.
- 5 CONNECTOR TESTED AND QUALIFIED AGAINST TELCORDIA GR-1217-CORE QUALITY LEVEL 3,  
UNCONTROLLED ENVIROMENT APPLICATIONS.
- 6 CONNECTOR MARKED WITH PART NUMBER AND DATE CODE.  
ADDITIONAL CHARACTERS OR MARKINGS, AS WELL AS THE LOCATION OF THE MARKINGS,  
MAY BE ADDED FOR TRACEABILITY BASED UPON MANUFACTURERS DISCRETION.
- 7 PLATED-THROUGH HOLES AT 2x1.5mm GRID  
88 TOTAL HOLES.
- 8 ROW "i" 6 PLATED THROUGH HOLES FOR UPPERSHIELD.
- 9 CONNECTOR & SHIELD LUBRICATED WITH BELCORE APPROVED LUBRICANT,  
TECHNICAL REFERENCE: TR-NWT-001217 ISSUE 1, SEP 1992.
- 10 SHIELD MOUNTED ON CONNECTOR WITH DOUBLE SIDED ADHESIVE TAPE  
OR ADHESIVE.
- 11 0.76µm MIN GOLD PLATING AT MATING SURFACES.

	2 3 11	3-646492-0
OBSOLETE	2 5 9	1-646492-9
OBSOLETE	2 4 9	646492-9
OBSOLETE	2 3	646492-1
	FINISH	PART NUMBER

THIS DRAWING IS A CONTROLLED DOCUMENT.

DIMENSIONS: mm	TOLERANCES UNLESS OTHERWISE SPECIFIED:	DIN B. CARBO 06DEC05	G. SKIPPER 06DEC05	Tyco Electronics Corporation Harrisburg, PA 17105-3608
0-PLC ±	1-PLC ±0.1	APVD G. SKIPPER 06DEC05	NAME	R/A RECEPTACLE ASSY, 88 POSN, TTR 8 ROW, TYPE F, Z-PACK 2mm HM
2-PLC ±	3-PLC ±	APPLICATION SPEC	SIZE	A1
4-PLC ±	ANGLES	WEIGHT	CAGE CODE	00779
MATERIAL 1	FINISH SEE TABLE	CUSTOMER DRAWING	DRAWING NO	646492
			SCALE	5:1
			SHEET	1 of 1
			REV	M