

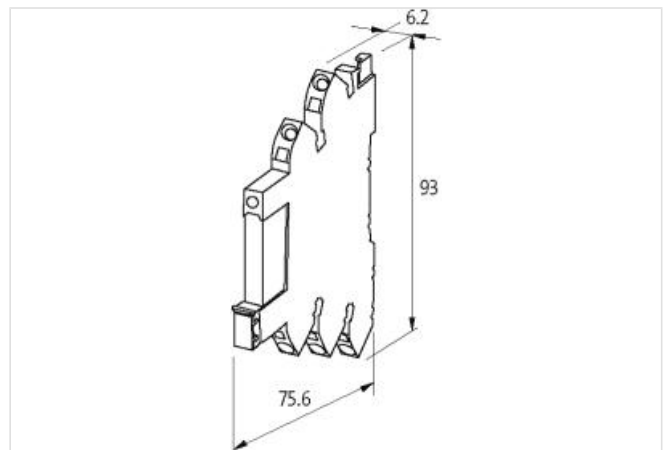
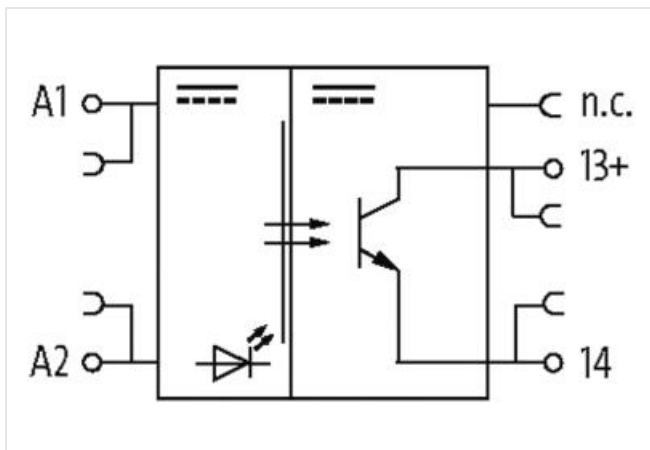
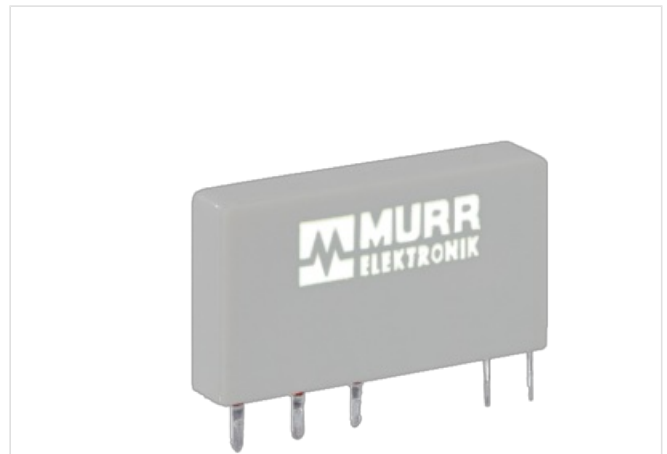
MIRO 6.2 pluggable compl. Module Optocoupler

IN: 24 VDC - OUT: 24 VDC / 6 A

Transistor 6 A
 Transistor 6 A
 24 V DC
 24 V DC
 Spring clamp terminals
 Complete module

Link to Product

Illustration



Product may differ from Image

General data

Mounting method	pluggable
Temperature range	-25...+50 °C
Test isolation voltage	50 V
Surge voltage resistance	2.5 kV
Protection	IP20

Output

Switching time ON/OFF	15/31 μ s
Saturation voltage (across output)	max. 240 mV

Switching voltage	3...30 V DC
Switching frequency	max. 500/50 Hz (resist./ind.)
Switching current per output	10 mA...6 A
Input	
Connection voltage - current	24 V DC (18...30 V DC) - 9 mA
LED display	LED (yellow)