

MAS: Agent Release/Fire Suppression Pull and Abort Station



Ordering Information

MAS-R: Red Agent Release Pull Station	3001010
MAS-Y: Yellow Fire Suppression Pull Station	3001011
MAS-MP: Mounting Plate for Manual Station	3001012
-Includes Abort Switch and backbox suitable for RMS pullstations identified below.	
Accessory: Flush Mount Bezel	5370559

Description

The Potter MAS Switch is designed to be used with any releasing system. The device consists of a manual pull station and a push button abort switch. This device is designed for indoor use only.

The MAS-Agent Release/Fire Suppression & Abort Station was developed as a way to mount manual pull stations and abort buttons in a convenient and attractive NEMA 1 rated metal enclosure. This unit is capable of being surface mounted or flush mounted (using 5370559 Bezel)

The RMS-1T Release Pull Station (Red, As Shown) and RMS-1T (Yellow) are single pole, single throw die-cast aluminum electrical switch. This pull station has a 0.5-amp snap action switch and dedicated terminal block for the ease of wire connections. All of the metal is completely coated to inhibit corrosion and provide for a uniform and quality finish. The standard model has a hex key reset. Electrical wiring diagrams are included with the product.

There are other Listed pull stations available upon request.

RMS-1T
RMS-2T
RMS-3T
RMS-6T

Contact Potter for available models.

The abort switch is a normally open, momentary type.

Operation

The Potter single action series of pull stations operate by pulling the white operating handle straight down and the handle will lock into place. The station is reset by opening the front and placing the handle in the normal non-pulled position. The abort switch is a momentary push button.

UL and cUL Listed & CSFM Listed

Dimensions: 6" x 6" x 3"
NEMA 1 Indoor Use Only
All Wiring Power Limited

Pull Station Specifications:

0.5 Amp @ 30 VDC
Single Pull Action
Double Action models are available
Terminal Connectors
Optional Use Glass break rod

Abort Push Button Specifications:

2.5 Amps @ 24 VDC (5 mA minimum)
Normally Open, Momentary Type

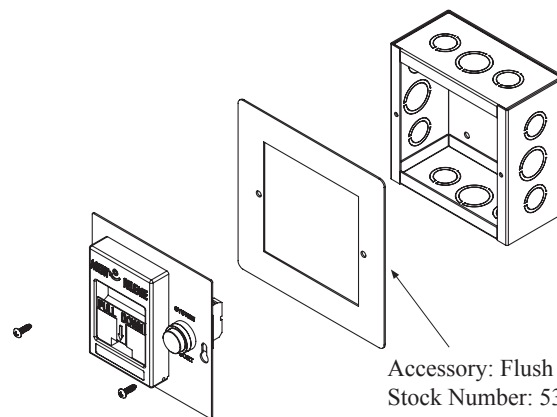
Engineering Specifications

The contractor shall furnish and install a combination Agent Release/Fire Suppression pull station and abort switch. The pull station shall be die cast metal with a "T" type pull handle that is ADA compliant. Once activated, the handle cannot be restored to the normal position without opening the front of the pull station. Opening the pull station in a normal state shall cause the device to activate. The abort button shall be a momentary push button type switch. The pull station and abort switch shall be combined on a single stainless steel plate. The unit shall come with a back box for surface mounting and shall be capable of being flush mounted with an available bezel.

Mounting

Surface Mount: Electrical Box (NEMA 1 screw cover): 6" X 6" X 3"

Flush Mount Bezel: 7 1/2" x 7 1/2"



Accessory: Flush Mount Bezel
Stock Number: 5370559