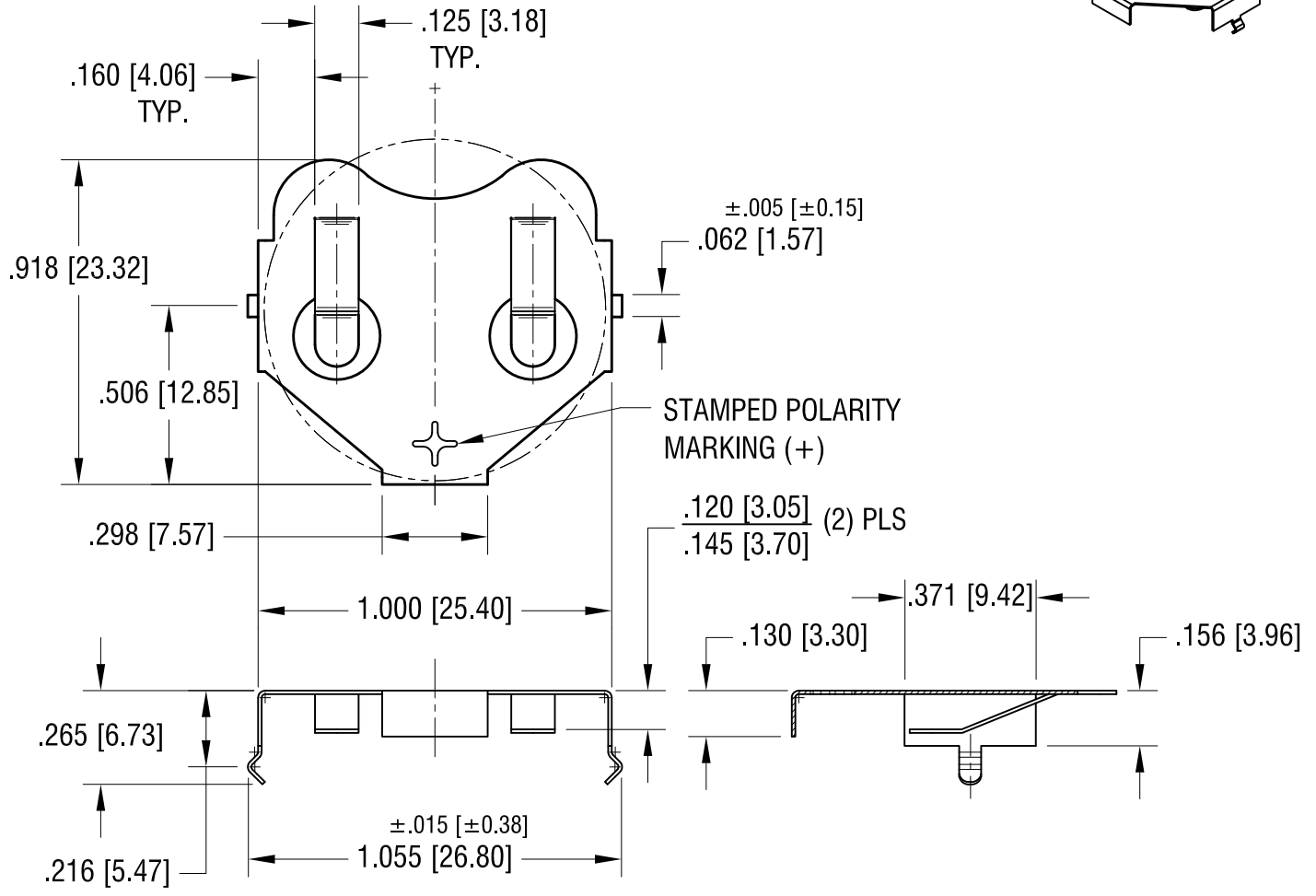
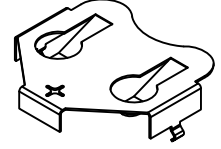
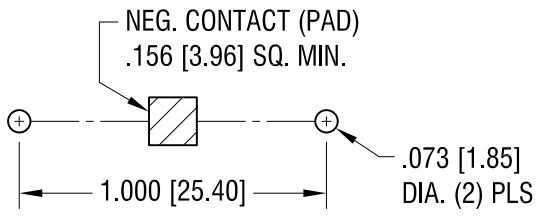


THIS DOCUMENT IS THE PROPERTY OF
KEYSTONE ELECTRONICS CORP. AND
SHALL NOT BE REPRODUCED, DISTRIBUTED
OR USED AS A BASIS FOR MANUFACTURE
WITHOUT PRIOR WRITTEN PERMISSION
FROM KEYSTONE ELECTRONICS CORP.

ACTUAL SIZE



1.31.23	CHANGE AS PER ECN 23-011	N
12.07.22	CHANGE AS PER ECN 22-176	M
11.09.17	CHANGE AS PER ECN 17-065	L
12.16.16	CHANGE AS PER ECN 16-103	K
1.28.08	CHANGE AS PER ECN 08-057	J
DATE	DESCRIPTION	REV.

KEYSTONE ELECTRONICS CORP.			
www.keyelco.com • NEW HYDE PARK, NY 11040 • Tel (516) 328-7500			
PART NAME		24mm PC COIN CELL CLIP	
MATERIAL		.010 [0.25] TH'K PHOSPHOR BRONZE	
FINISH		DRN BY	DATE
TIN NICKEL PLATE		BOONE	10.14.94
		APP'D	SCALE
		RH	2X
TOLERANCES	INCH [MM]	CODE	DWG NO.
DECIMAL	$\pm .010 [\pm .025]$	C	3007
ANGULAR	$\pm 1^\circ$		
UNLESS OTHERWISE SPECIFIED			