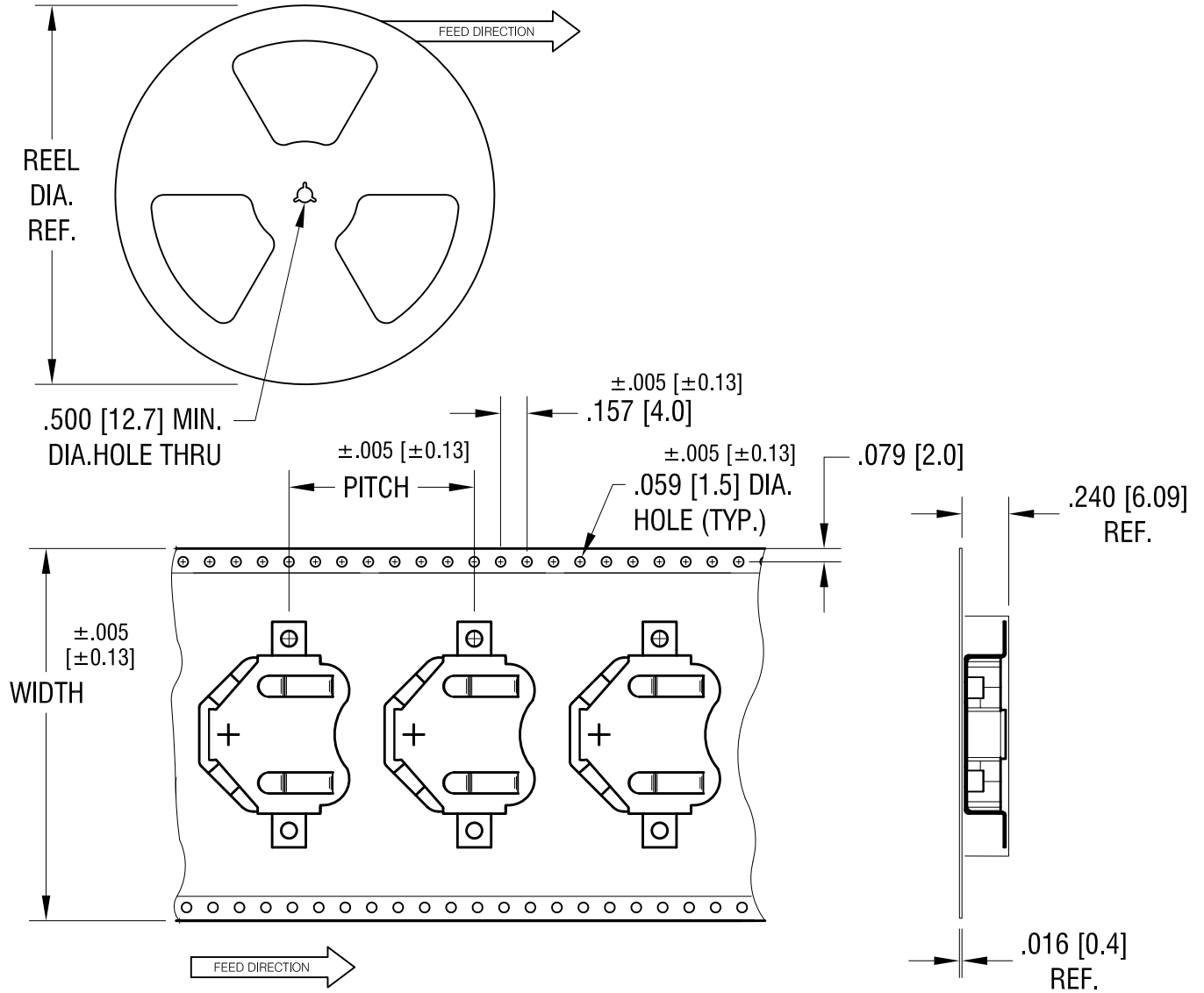


THIS DOCUMENT IS THE PROPERTY OF KEYSTONE ELECTRONICS CORP. AND SHALL NOT BE REPRODUCED, DISTRIBUTED OR USED AS A BASIS FOR MANUFACTURE WITHOUT PRIOR WRITTEN PERMISSION FROM KEYSTONE ELECTRONICS CORP.



**NOTES:**

**TAPE AND REEL SPECIFICATIONS:**

**1. TAPE:**

MAT'L - ALL CONDUCTIVE POLYSTYRENE CARRIER  
 ANSI/EIA-481 STANDARD  
 2.20 [56.0] WIDE; 1.10 [28.00] PITCH

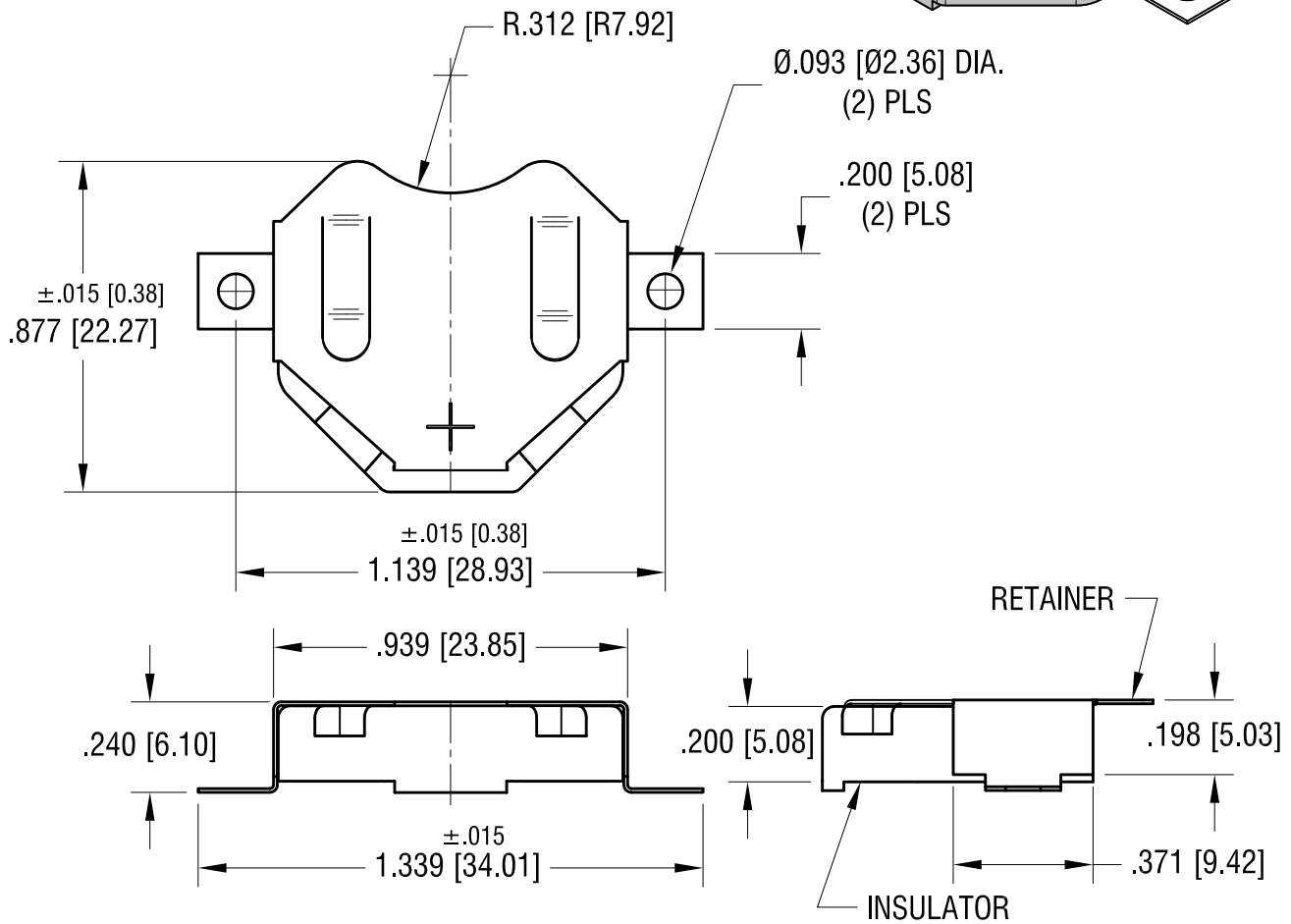
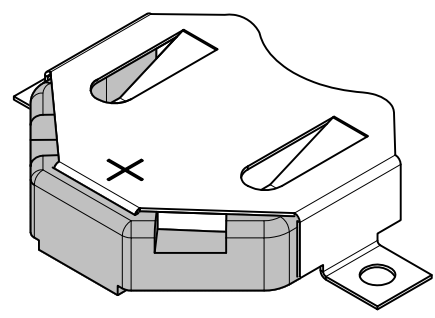
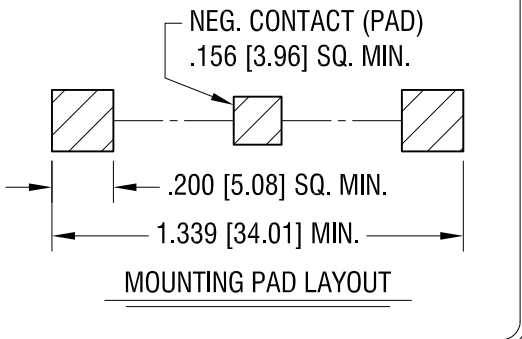
**2. REEL:**

13.0 [330.2] DIA. 250 PIECES OF  
 PART NO. 3022 PER REEL.

12.27.11	CHANGE AS PER ECN 11-168	A
DATE	DESCRIPTION	REV.

<b>KEYSTONE ELECTRONICS CORP.</b>			
www.keyelco.com • ASTORIA, N.Y. 11105-2017 • Tel (718) 956-8900			
PART NAME		SM RETAINER ON TAPE	
MATERIAL		AS NOTED	
FINISH		DRN BY	DATE
AS NOTED		NT	6.15.10
		APP'D	SCALE
		LN	X
TOLERANCES	INCH [MM]	CODE	DWG NO.
DECIMAL	± .015 [± 0.38]	C	3022TR
ANGULAR	± 1°		
UNLESS OTHERWISE SPECIFIED			

THIS DOCUMENT IS THE PROPERTY OF KEYSTONE ELECTRONICS CORP. AND SHALL NOT BE REPRODUCED, DISTRIBUTED OR USED AS A BASIS FOR MANUFACTURE WITHOUT PRIOR WRITTEN PERMISSION FROM KEYSTONE ELECTRONICS CORP.



**NOTE:**

1. CLIP MAT'L: .010 TH'K FULL HARD PHOSPHOR BRONZE  
INSULATOR MAT'L: HIGH TEMPERATURE NYLON, UL 94V-0  
COLOR: WHITE
2. CLIP FINISH: TIN-NICKEL PLATE

<b>KEYSTONE ELECTRONICS CORP.</b>			
www.keyelco.com • ASTORIA, N.Y. 11105-2017 • Tel (718) 956-8900			
PART NAME			
SM COIN CELL CLIP FOR TWO 2020 OR 2025			
MATERIAL			
AS NOTED			
FINISH		DRN BY	DATE
AS NOTED		NT	11.17.09
		APP'D	SCALE
		LN	2X
TOLERANCES	INCH	[MM]	CODE
DECIMAL	± .010	[± 0.25]	C
ANGULAR	± 1°		DWG NO.
UNLESS OTHERWISE SPECIFIED			<b>3022</b>

DATE	DESCRIPTION	REV.