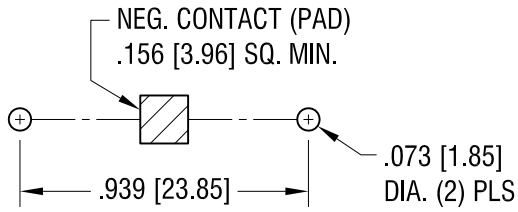
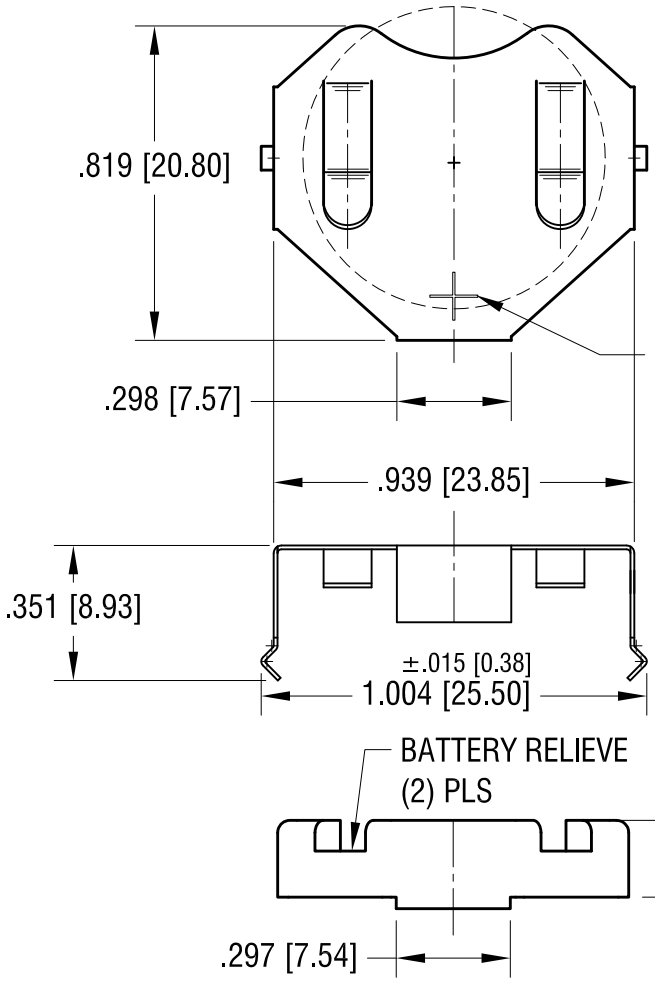
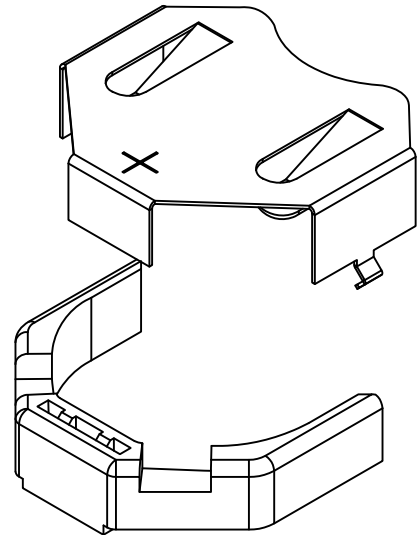


THIS DOCUMENT IS THE PROPERTY OF KEYSTONE ELECTRONICS CORP. AND SHALL NOT BE REPRODUCED, DISTRIBUTED OR USED AS A BASIS FOR MANUFACTURE WITHOUT PRIOR WRITTEN PERMISSION FROM KEYSTONE ELECTRONICS CORP.

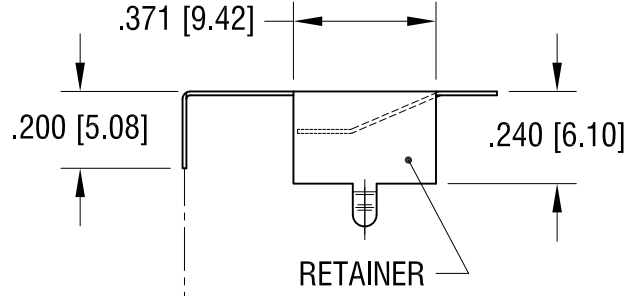


MOUNTING DETAIL



±.005 [0.15]
.062 [1.57]
(2) PLS

STAMP POLARITY (+)
AS SHOWN



NOTE:

1. CLIP MAT'L: .010 TH'K FULL HARD PHOSPHOR BRONZE
INSULATOR MAT'L: HIGH TEMPERATURE NYLON, UL 94V-0
2. CLIP FINISH: TIN NICKEL PLATE
3. PART SUPPLIED UNASSEMBLED

KEYSTONE ELECTRONICS CORP.

www.keyelco.com • ASTORIA, N.Y. 11105-2017 • Tel (718) 956-8900

PART NAME
PC COIN CELL CLIP FOR TWO 2020 OR 2025

MATERIAL
AS NOTED

FINISH AS NOTED	DRN BY NT	DATE 4.21.11
	APP'D LN	SCALE 2X

TOLERANCES DECIMAL ANGULAR ± 1° UNLESS OTHERWISE SPECIFIED	INCH [MM] ±.010 [±0.25]	CODE C	DWG NO. 3023-2
---	----------------------------	-----------	-------------------

DATE	DESCRIPTION	REV.