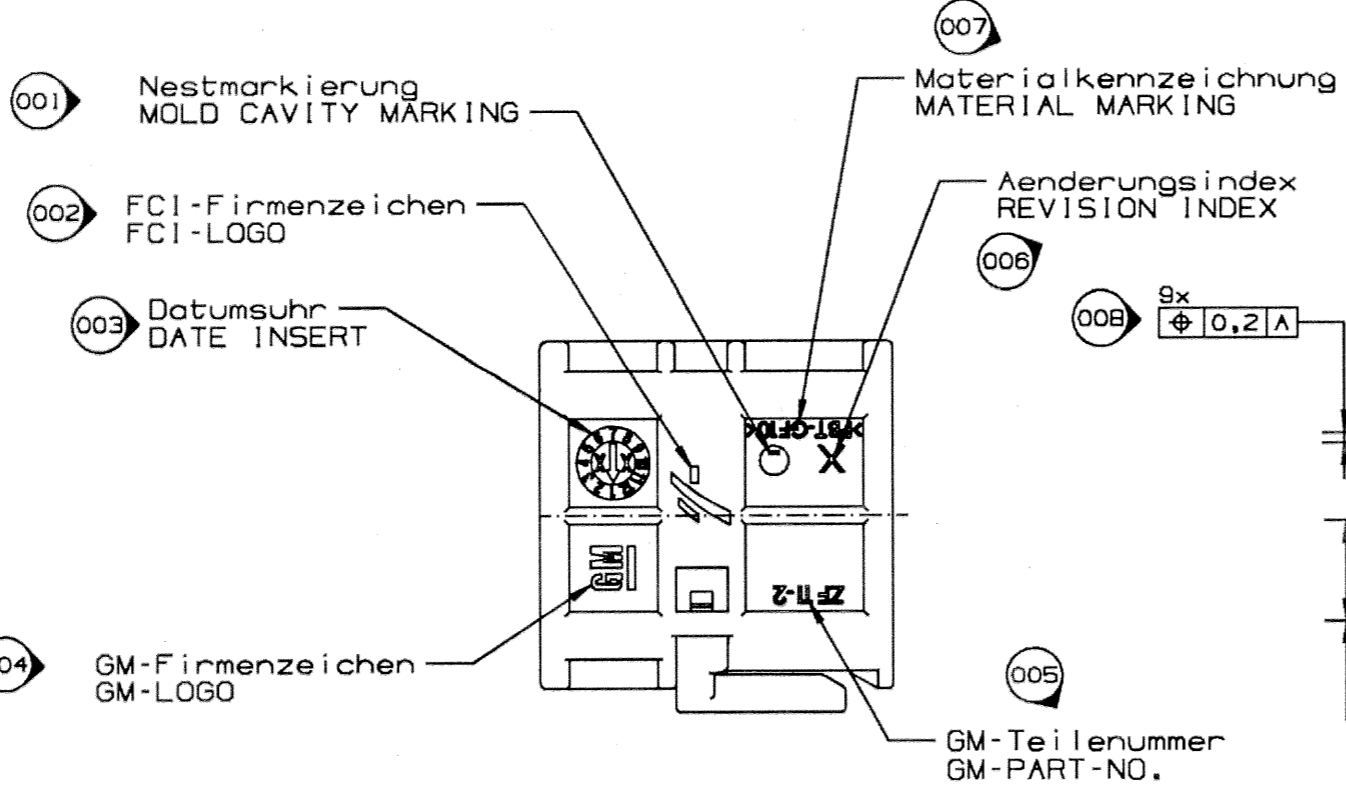
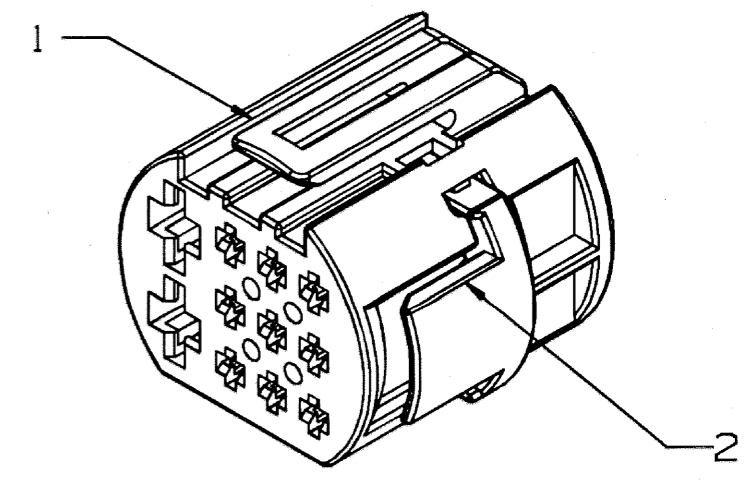
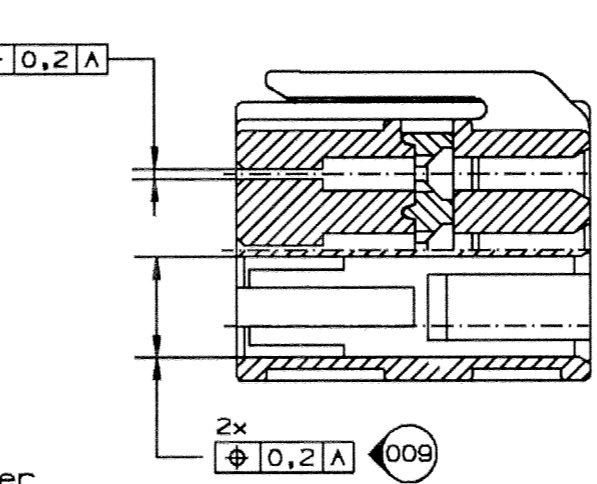
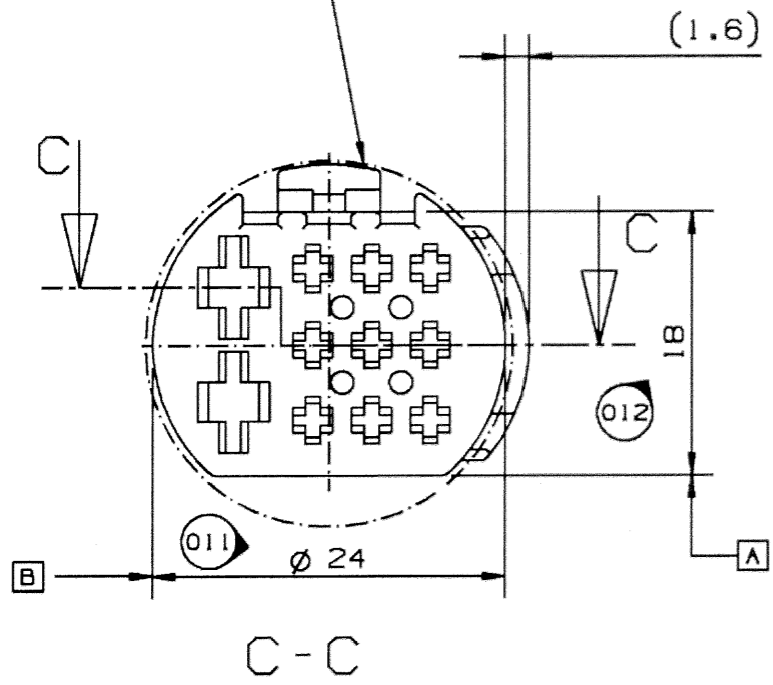


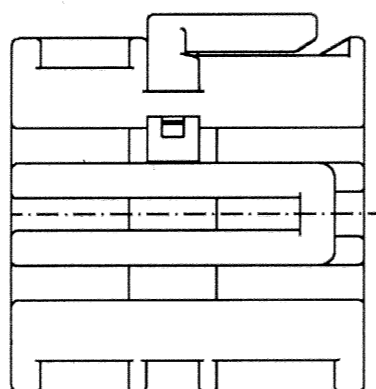
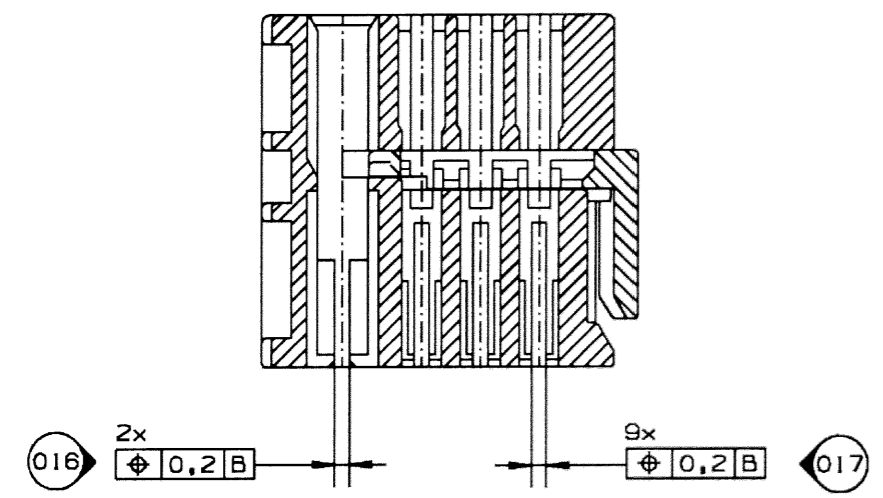
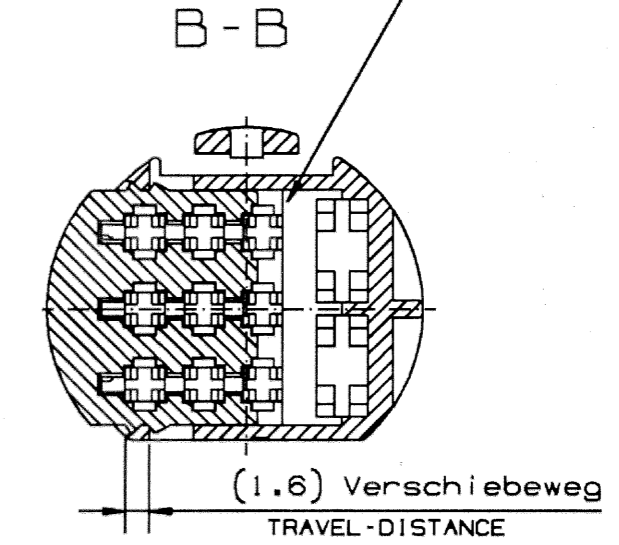
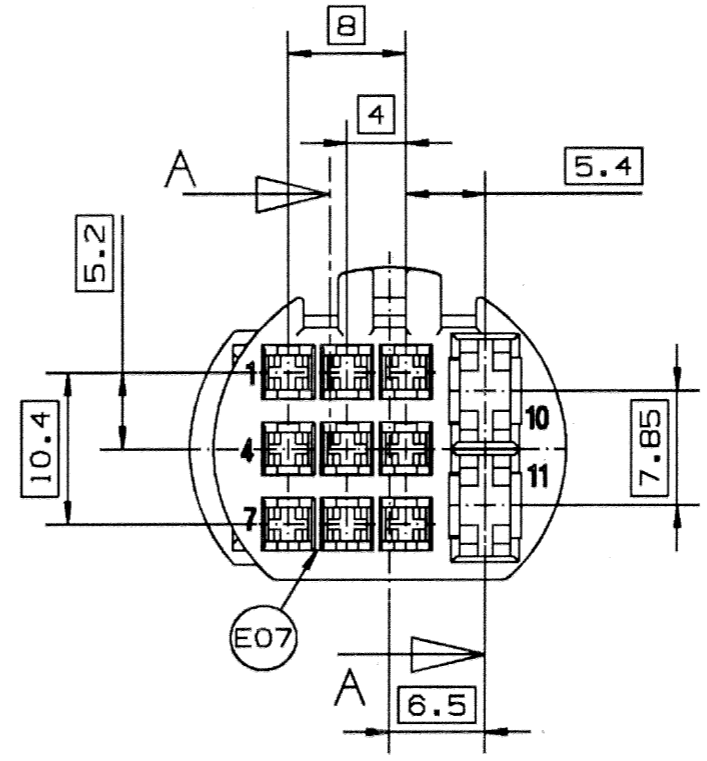
H
G
F
E
D
C
B



Durchfuehrungsoeffnung $\varnothing 25$ mm
(Verriegelung in
'Endraststellung')
FEED THROUGH $\varnothing 25$ MM
(SPACER IN 'END-POSITION')



Lieferzustand
TPA in Vorraststellung
CONDITION BY DELIVERY
TPA IN PRELOCKED POSITION



POS	OPEL-DRAWING-NO. OPEL-Zeichnungs-Nr.	OPEL-PART-NO. OPEL-Teile-Nr.	FCI-NO. FCI-Nr.	NAME Benennung	REV.IND. Aend.Ind.	WEIGHT Gewicht	MATERIAL Material	COLOUR Farbe	COMPONENTE FRAME Gegenstueck
2				11pol. Verriegelung 11POS SPACER	C	ca.7.7g	PBT-GF10	violett VIOLET	3 033 11 18
1	13 143 123	ZF 11-3	3 023 40 18	11pol. Buchsengehäuse 11POS FEMALE HOUSING	E	ca.7.7g	PBT-GF10	grau GRAY	3 033 11 21
2				11pol. Verriegelung 11POS SPACER	C	ca.7.7g	PBT-GF10	violett VIOLET	3 033 11 01
1	24 432 513	ZF 11-2	3 023 40 01	11pol. Buchsengehäuse 11POS FEMALE HOUSING	E	ca.7.7g	PBT-GF10	schwarz BLACK	3 033 11 51

REV./Ind.	DESCRIPTION/Beschreibung	DATE/Datum	NAME	APP/Gen.	DESCRIPTION/Beschreibung	WIRE SIZE Draht- groessen- bereich(mm ²)	MATERIAL Material	SURFACE Oberflaeche
337/06	E08 component frame added	11.5.06	wei		5.8 MM FEMALE AMP-NO. 964 328-1	>2.5-4.0	CONTACTBODY Grundfeder CuFe2P F42	SN Sn BLANK blank
277/05	E07 in E5 bild.Kammerwaende verstaerkt, in Tabelle Pos.1 Aend.Index E war C	11.4.05	nue		5.8 MM FEMALE AMP-NO. 964 326-1	>1.0-2.5	LOCKING SPRING Ueberfeder X12CrNi177K	SN Sn BLANK blank
565/02	B06 Bemerk.Steckkraft geaend.	26.8.02	wei		DCS-2 1.5MM FEMALE TERM. 6 000 05 41	>1.0-1.5	CONTACTBODY Grundfeder CuFe2P F49 Rm >490 N/mm2	SN Sn BLANK blank
132/02	B05 30331121, Test hinzu	31.7.02	wei		DCS-2 1.5MM FEMALE TERM. 6 000 05 31	0.5-1.0	LOCKING SPRING Ueberfeder X12CrNi177K Rm 1450-1650 N/mm2	SN Sn BLANK blank
492/02	B04 Opel Mio-Nr.hinzu	17.7.02	wei		DCS-2 1.5MM FEMALE TERM. 6 000 05 11	0.22-0.35		
388/02	B03 farbliche Variante hinzu	11.6.02	wei					
013/01	A02 kontakt hinzu,AMP geaend.	6.2.01	we					
557/00	A01 3x: in A10 ; B2; B3	31.10.00	mzu					
287/00	A00 Erstausgabe	29.5.00	mzu					

MATING FORCE MAX.100N IS ALLOWED
Steckkraft max.100N zulassig

These drawings are the property of the company and are not to be reproduced, stored in a retrieval system, or transmitted in any form or by any means, electronic, mechanical, photocopying, recording, or by any information storage and retrieval system, without the prior written permission of the company. The reproduction of these drawings in any form or by any means, without the prior written permission of the company, is prohibited. This document is the property of the company and is not to be reproduced, stored in a retrieval system, or transmitted in any form or by any means, electronic, mechanical, photocopying, recording, or by any information storage and retrieval system, without the prior written permission of the company.

TOLERANCES/Toleranzen
±0.2MM
±1*

DO NOT SCALE PRINT
Ausdruck nicht vermassen

DATE/Datum Name
29.5.00 mzu

CHK/Gepr. 2.8.02 Nue

APPR/Gen. 2.8.02 M.Hopf

MATERIAL/Werkstoff
SEE TABLE
SIEHE TABELLE

SURFACE FINISH/Oberflaeche
SEE TABLE
SIEHE TABELLE

WEIGHT/Gewicht
SCALE/Massstab

TITLE/Benennung
11 pos. FEMALE HSG.
11 pol. Buchsengeh.

DRZ/Dr.-Nr.
3 023 40 01

PROJ. NR. 99/166

FILE NAME ent/opel/au.99188/3.

LOC. CODE
Lander/C.

SAS-Nr.
Ers./Ver

6 023 18 01

FRAMATOME CONNECTORS
DAUT + RETZ

ISO PROJECTION
DIMENSIONS
IN
MILLIMETERS

CAD UNIGRAPHICS
SIZE/
Grösse
A2

SHEET/Blatt
1
of/ von
1