

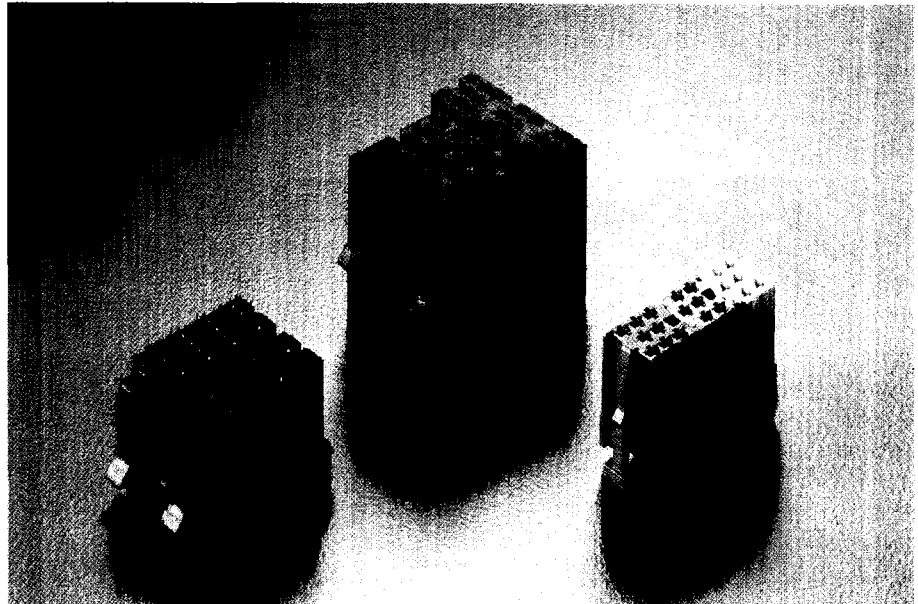
# Car radio connectors

DCS-2

## 36 way modular connector system for car radio : Female housings for 2.8 & 1.5 mm terminals

### Features

- Connector system compatible with ISO standards for car radio
- 6-8-16 and 36 position housings available
- High density female housings matable with :
  - Cavity A+B+C in male connector for 36 position female housing
  - Cavity A+B in male connector for 16 position female housings
  - Cavity C in male connector for 6+6+8 position female housings
- Mechanical polarization
- Blue-Green-Yellow colour codings for 8+6+6 female housings
- Different versions available for fixed assembly or quick out system



Part Numbers	No. of Position	Cavity	Terminal size	Fixed / Quick out	Colour
3 023 21 01	36	A+B+C	2.8 mm + 1.5 mm	Q	Black
3 024 00 01	16	A+B	2.8 mm	Q	Black
3 024 01 01	16	A+B	2.8 mm	F	Black
3 022 02 xx	8	C	2.8 mm	F	Blue
3 022 03 xx	6	C	1.5 mm	F	Green
3 022 04 xx	6	C	1.5 mm	F	Yellow

### Performance characteristics

- Temperature range :  
from -40°C to +85°C

### Construction

- Housing material :
  - Polyamide for 16 pos. housings
  - PBT for 8 & 6 pos. housings

### Connector compatibility

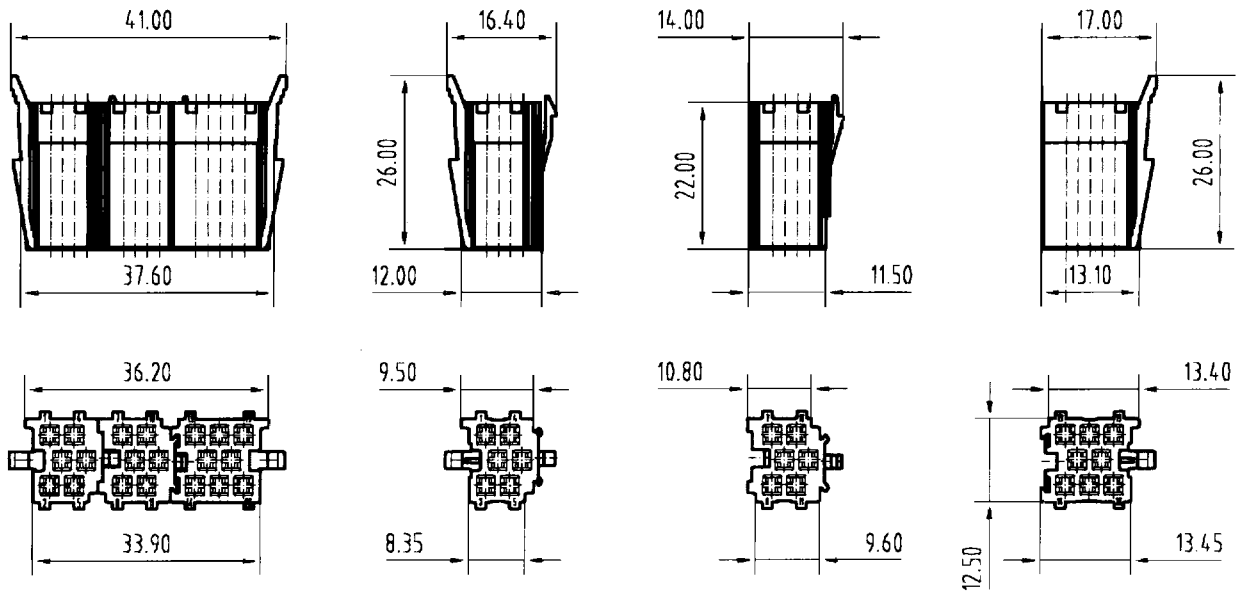
- Usable terminals :
  - DCS-2 1.5 mm female terminals
  - DCS-2 2.8 mm female terminals

# Car radio connectors

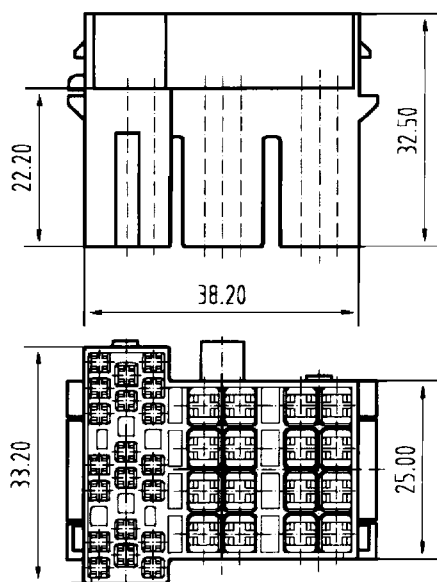
## DCS-2

### Dimensional characteristics

#### Cavity C housing



#### Cavity A+B+C housing



#### Cavity A+B housing

