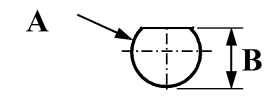
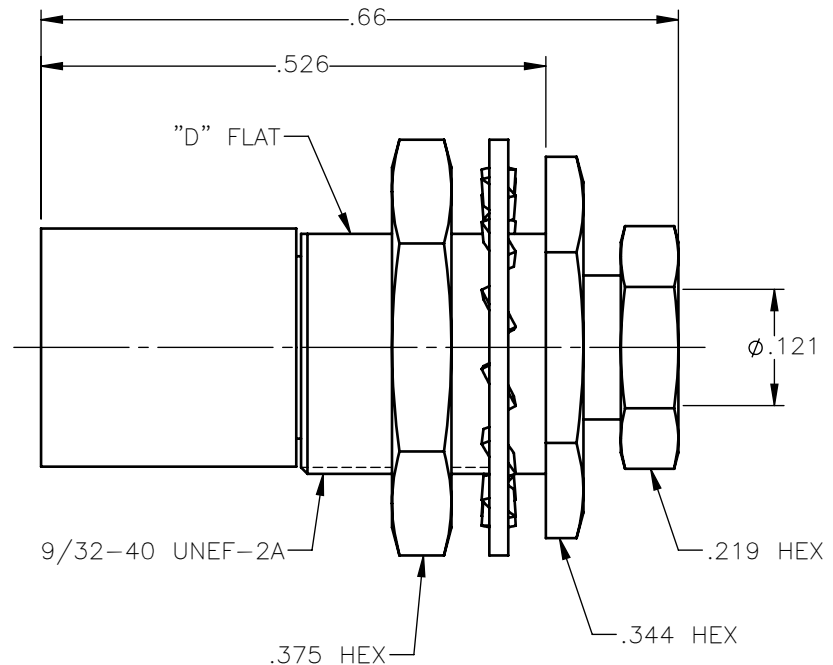


PANEL CUT OUT



inches		
	Maxi	mini
A	.290	.284
B	.262	.256

REVISIONS			
REV.	DESCRIPTION	DATE	APPROVED
A	INITIAL RELEASE	04/17/2018	C.E.





NOTES:

MATERIALS:

1. INSULATORS = VIRGIN WHITE TEFLON PER ASTM D1710, GRADE 1, TYPE I, CLASS "B".
2. CONTACT & SPRING = BERYLLIUM COPPER PER ASTM B196, ALLOY C17300, TEMPER TD04.
3. LOCKWASHER = PHOSPHOR BRONZE PER ASTM B139, COPPER ALLOY C53400, TEMPER H04.
4. SLEEVE = BRASS PER C36000, ANNEALING 1H AT 500°C, HARDNESS 80-120 HV.
5. ALL OTHER METAL PARTS = BRASS PER ASTM B16, ALLOY C36000, TEMPER H02.

FINISHES:

1. CONTACT = GOLD PLATE PER ASTM B488-11, TYPE II, 50 μ in MIN, GRADE C, OVER 100 TO 200 μ in STRESS FREE SULFAMATE NICKEL PER AMS-QQ-N-290.
2. SPRING = NICKEL PLATE PER AMS-QQ-N-290, CLASS 1, GRADE G, EXCEPT 100 TO 200 μ in THICK OVER 50 TO 100 μ in THICK COPPER PER AMS 2418.
3. ALL OTHER METAL PARTS = GOLD PLATE PER ASTM B488-11, TYPE II, 30 μ in MIN, GRADE C OVER 100 TO 200 μ in COPPER STRIKE PER AMS 2418.

UNLESS OTHERWISE SPECIFIED DIMENSIONS ARE IN INCHES TOLERANCES ON	DWN: C.E.	DATE: 04/17/18	 Property of Radiall This document cannot be reproduced or communicated to a third party without prior written permission of RADIALL.			
	CHKD: J.M.	DATE: 04/17/18				
DECIMAL	ANGLE	D.N.	SLB STRAIGHT FEMALE PLUG BULKHEAD MOUNT CLAMP TYPE FOR RG-316 & SIMILAR CABLES			
		APVD: J.M.				
REFERENCE:	MATERIALS & FINISHES: SEE NOTES		SIZE: A	FSCM NO.: 19505	DWG NO.: 3028-1551-003	REV: A
ORIGINATED: C.E. DATE: 04/17/18			SCALE: 4:1	THIRD ANGLE PROJECTION		SHEET 1 OF 1

3028-1551-003