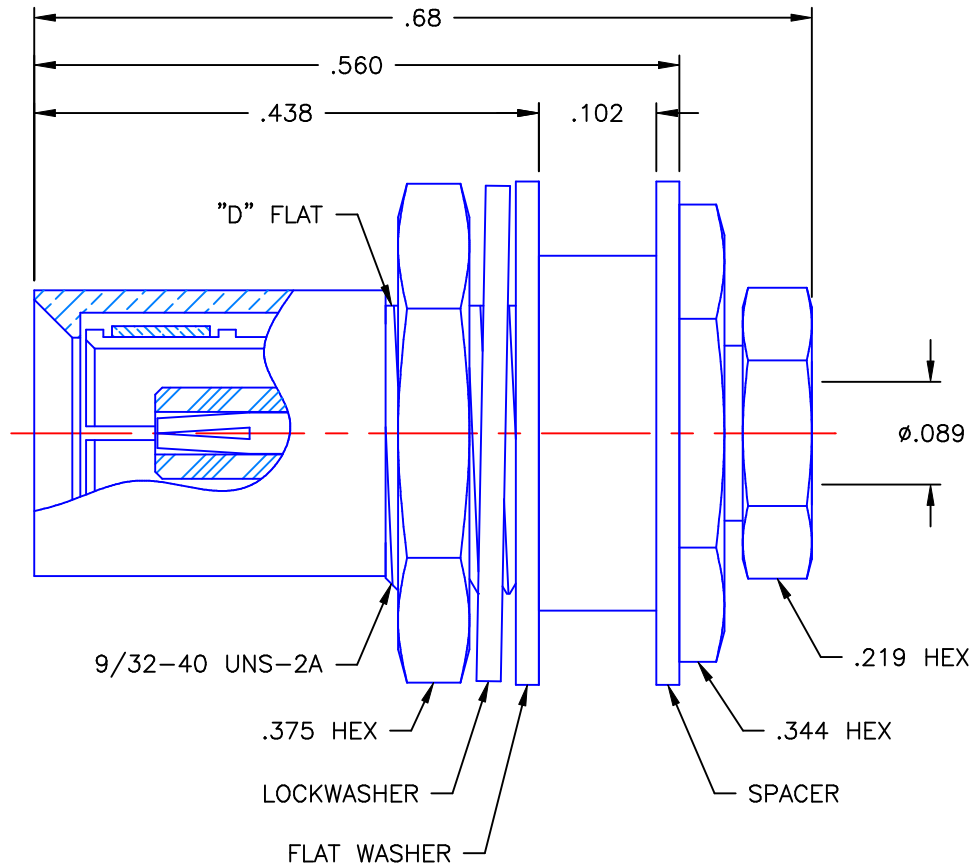


PROPRIETARY INFORMATION
 NOT TO BE RELEASED
 WITHOUT WRITTEN PERMISSION
 FROM AN AUTHORIZED
 REPRESENTATIVE OF
 APPLIED ENGINEERING PRODUCTS

REVISIONS			
REV	DESCRIPTION	DATE	APPROVED
A	INITIAL RELEASE	04/23/07	D.N.





NOTES:

MATERIALS:

1. INSULATORS = VIRGIN WHITE TEFLON PER ASTM D1710, GRADE 1, TYPE I, CLASS "B".
2. CONTACT & SPRING = BERYLLIUM COPPER PER ASTM B196, ALLOY C17300, TEMPER TD04.
3. LOCKWASHER = PHOSPHOR BRONZE PER ASTM B139, COPPER ALLOY C53400, TEMPER H04.
4. ALL OTHER METAL PARTS = BRASS PER ASTM B16, ALLOY C36000, TEMPER H02.

FINISHES:

1. CONTACT = GOLD PLATE PER MIL-G-45204, TYPE II, CLASS 1, GRADE C, OVER .00010 TO .00020 STRESS FREE SULFAMATE NICKEL PER QQ-N-290.
2. SPRING = NICKEL PLATE PER QQ-N-290, CLASS 1, GRADE G, EXCEPT .0001 TO .0002 THICK OVER .00005 TO .0001 THICK COPPER PER MIL-C-14550.
3. ALL OTHER METAL PARTS = GOLD PLATE PER MIL-G-45204, TYPE II, CLASS 0, GRADE C, OVER .00010 TO .00020 COPPER STRIKE PER MIL-C-14550.

UNLESS OTHERWISE SPECIFIED DIMENSIONS ARE IN INCHES TOLERANCES ON		DWN: DATE D.N. 04/23/07	 APPLIED ENGINEERING PRODUCTS 104 John W. Murphy Dr. New Haven, CT 06513				
		CHKD: DATE A.D.M. 04/23/07					
DECIMAL	ANGLE	APVD: DATE J.M. 04/23/07		SLB STRAIGHT FEMALE PLUG BULKHEAD/FLOAT MOUNT FOR .093 PANEL CLAMP TYPE FOR RG-178 SIMILAR CABLES			
REFERENCE:		MATERIALS & FINISHES: SEE NOTES	<table border="1"> <tr> <td>SIZE A</td> <td>FSCM NO. 19505</td> <td>DWG. NO. 3028-1551-702</td> <td>REV A</td> </tr> </table>	SIZE A	FSCM NO. 19505	DWG. NO. 3028-1551-702	REV A
SIZE A	FSCM NO. 19505	DWG. NO. 3028-1551-702	REV A				
ORIGINATOR: D.N. DATE: 04/23/07		SCALE 6:1	THIRD ANGLE PROJECTION  SHEET 1 OF 1				

3028-1551-702