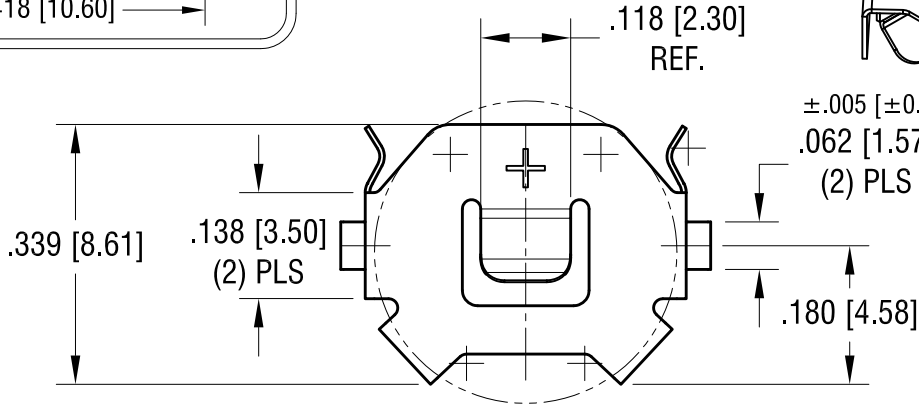
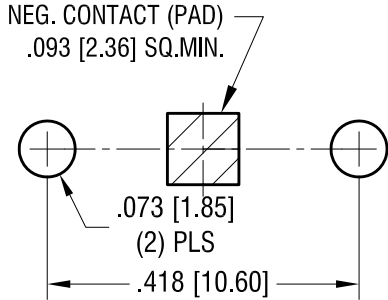
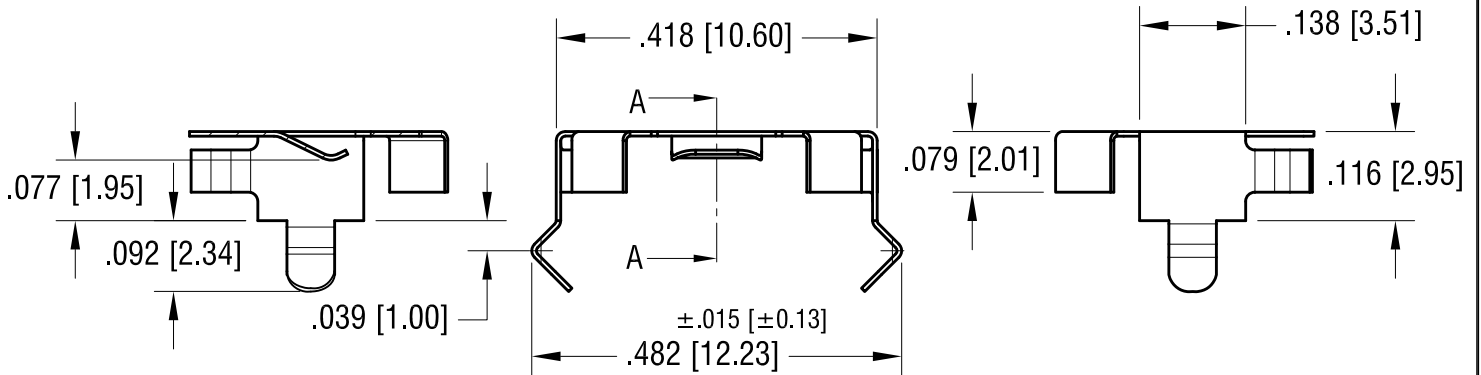


THIS DOCUMENT IS THE PROPERTY OF KEYSTONE ELECTRONICS CORP. AND SHALL NOT BE REPRODUCED, DISTRIBUTED OR USED AS A BASIS FOR MANUFACTURE WITHOUT PRIOR WRITTEN PERMISSION FROM KEYSTONE ELECTRONICS CORP.

MOUNTING PAD LAYOUT



SECTION A-A



KEYSTONE ELECTRONICS CORP.

www.keyelco.com • ASTORIA, N.Y. 11105-2017 • Tel (718) 956-8900

PART NAME
10mm THM COIN CELL CLIP

MATERIAL
.006 [0.15] TH'K PHOSPHOR BRONZE

FINISH TIN NICKEL PLATE	DRN BY NT	DATE 9.20.10
	APP'D LN	SCALE 4X

2.27.12 CHANGE AS PER ECN 12-024

A

TOLERANCES	INCH	[MM]	CODE	DRW NO.
DECIMAL	± .010	[± 0.25]	C	3031
ANGULAR	± 1°			
UNLESS OTHERWISE SPECIFIED				

DATE DESCRIPTION

REV.