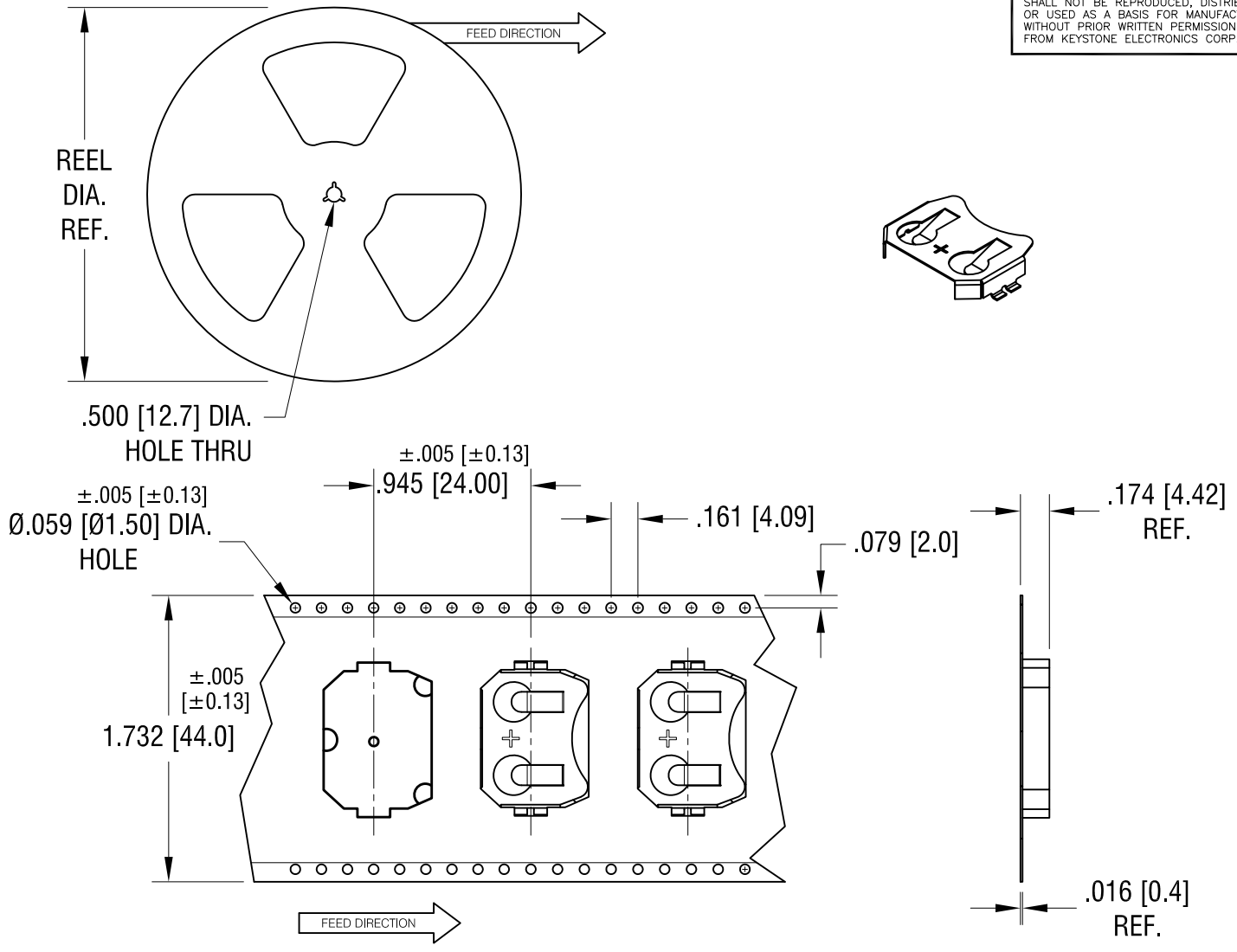


THIS DOCUMENT IS THE PROPERTY OF KEYSTONE ELECTRONICS CORP. AND SHALL NOT BE REPRODUCED, DISTRIBUTED OR USED AS A BASIS FOR MANUFACTURE WITHOUT PRIOR WRITTEN PERMISSION FROM KEYSTONE ELECTRONICS CORP.



NOTES:

TAPE AND REEL SPECIFICATIONS:

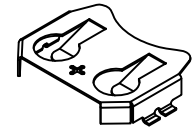
1. TAPE:
MAT'L - ALL CONDUCTIVE POLYSTYRENE CARRIER
ANSI/EIA-481 STANDARD
2. REEL:
13.0 [330.2] DIA. 500 PIECES OF
PART NO. 3034 PER REEL.

8.02.11	CHANGE AS PER ECN 11-097	A
DATE	DESCRIPTION	REV.

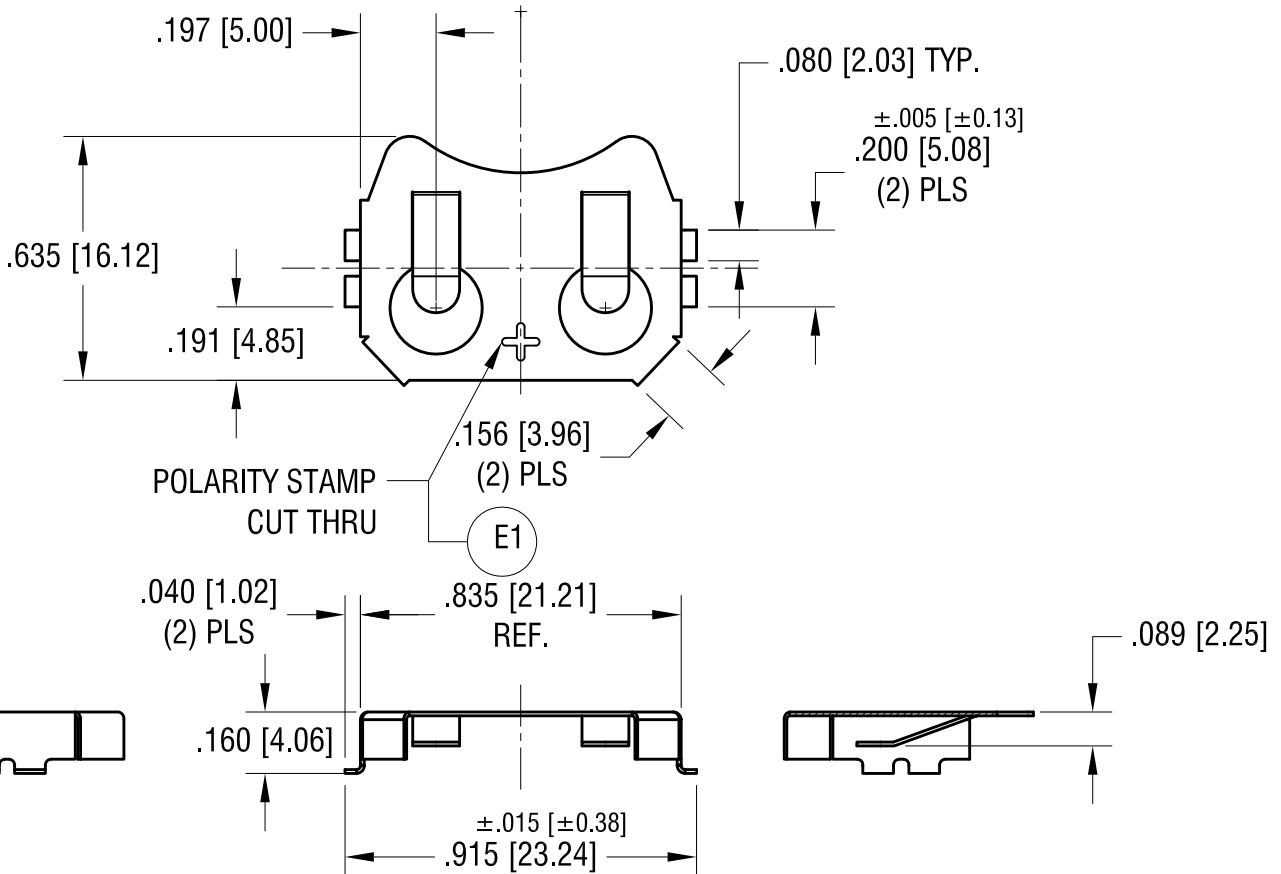
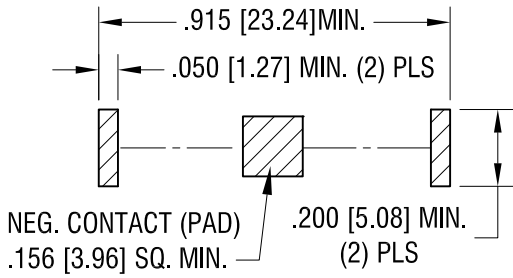
KEYSTONE ELECTRONICS CORP.			
www.keyelco.com • NEW HYDE PARK, NY 11040 • Tel (516) 328-7500			
PART NAME		SM COIN CELL CLIP ON TAPE	
MATERIAL		AS NOTED	
FINISH	AS NOTED	DRN BY	NT
		DATE	6.15.11
		APP'D	LN
		SCALE	X
TOLERANCES	INCH [MM]	CODE	DWG NO.
DECIMAL	± .015 [± 0.38]	C	
ANGULAR	± 1°		
UNLESS OTHERWISE SPECIFIED			
			3034TR

THIS DOCUMENT IS THE PROPERTY OF KEYSTONE ELECTRONICS CORP. AND SHALL NOT BE REPRODUCED, DISTRIBUTED OR USED AS A BASIS FOR MANUFACTURE WITHOUT PRIOR WRITTEN PERMISSION FROM KEYSTONE ELECTRONICS CORP.

ACTUAL SIZE



MOUNTING PAD LAYOUT



DATE	DESCRIPTION	REV.
6.23.20	STAMP (E1) WAS NOT CUT THRU MAT'L CHANGE AS PER ECN 20-060	E
1.17.19	CHANGE AS PER ECN 19-003	D
4.25.14	CHANGE AS PER ECN 14-045	C
6.16.11	CHANGE AS PER ECN 11-085	B
3.08.11	CHANGE AS PER ECN 11-032	A

KEYSTONE ELECTRONICS CORP.			
www.keyelco.com • NEW HYDE PARK, NY 11040 • Tel (516) 328-7500			
PART NAME		COIN CELL RETAINER	
MATERIAL			
.010 [0.25] PHOSPHOR BRONZE			
FINISH		DRN BY	DATE
NICKEL PLATE		NT	2.28.11
		APP'D	SCALE
		RH	2X
TOLERANCES	INCH [MM]	CODE	DWG NO.
DECIMAL	±.010 [±0.25]	C	3034
ANGULAR	± 1°		
UNLESS OTHERWISE SPECIFIED			