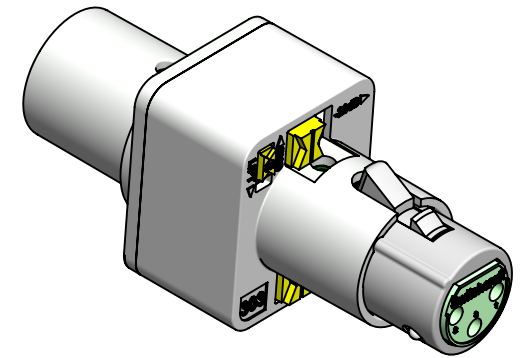
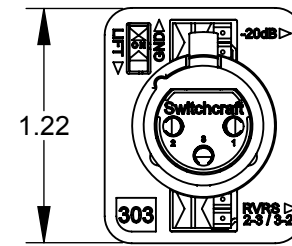
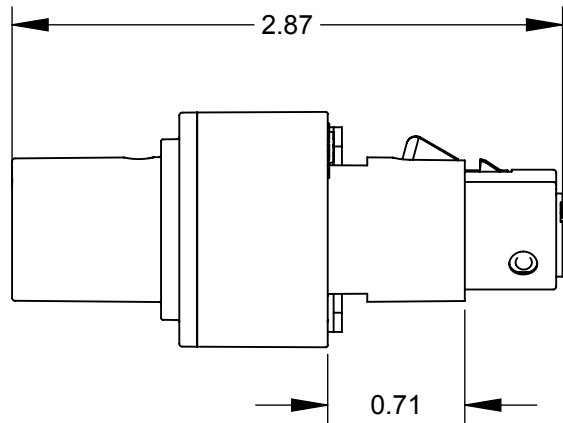
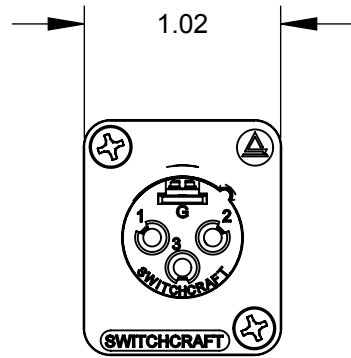




PACKAGED UNIT



SPECIFICATIONS:

HOUSING

- DIECAST ZINC ALLOY, NICKEL PLATED.

CONNECTORS

- INPUT: SWITCHCRAFT 3-PIN FEMALE CONNECTOR WITH LATCHING MECHANISM.
- OUTPUT: SWITCHCRAFT 3-PIN MALE CONNECTOR WITH LATCHING UNDERCUT.

FUNCTIONS

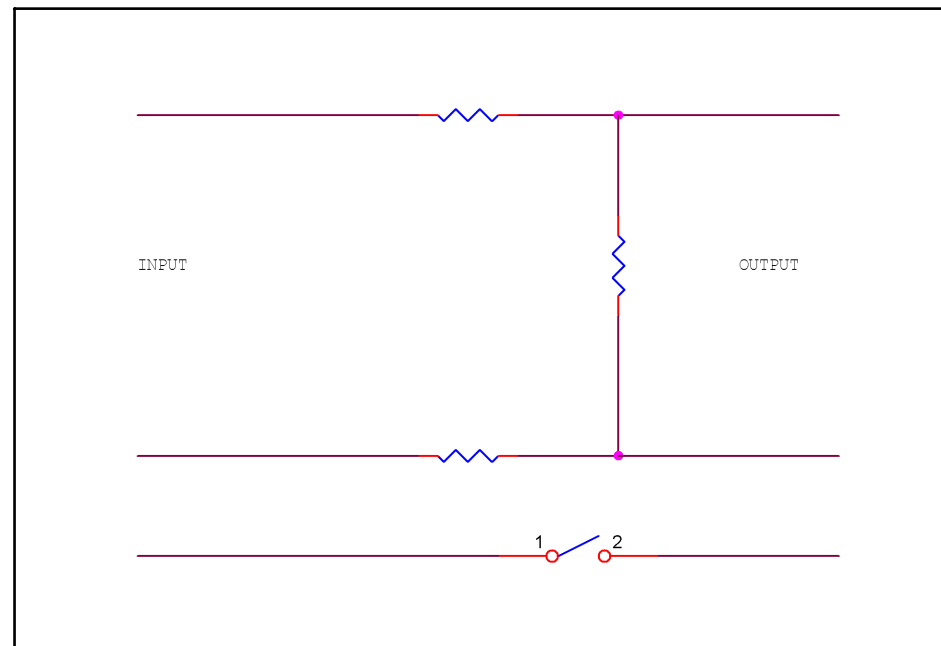
- -20dB PAD.
- POLARITY INVERSE.
- GROUND LIFT.

SWITCHES SPECIFICATIONS

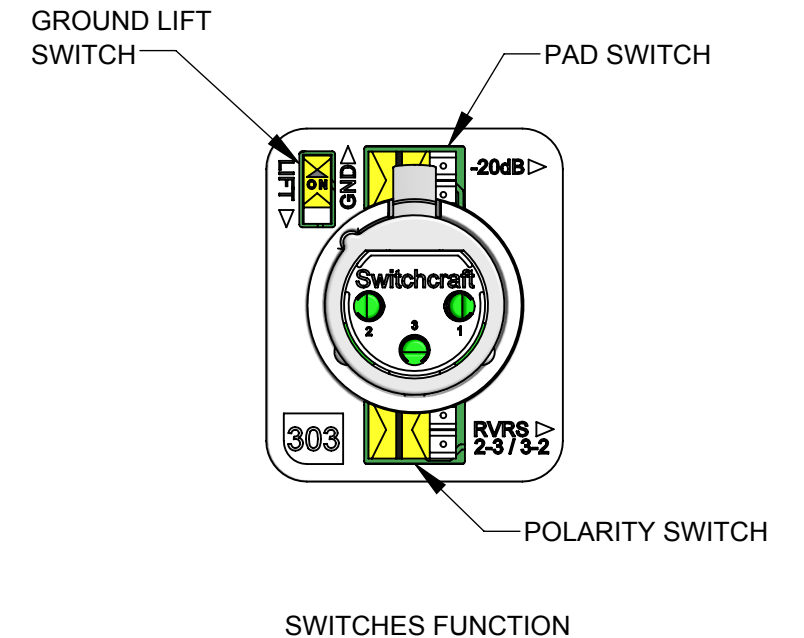
- SWITCHING RATING: 1A, 100V.
- PLATING: GOLD.
- NON-SHORTING BBM.

GENERAL SPECIFICATIONS

- PAD INPUT IMPEDANCE: 1657 OHM WITH 1K OHM LOAD.
- PAD OUTPUT IMPEDANCE: 167 OHM WITH 150 OHM SOURCE.
- PAD CMRR GREATER THAN 90dB AT 10KHz.
- PAD BALANCED LINE MAXIMUM IMPEDANCE MISMATCH: 0.2%.
- RoHS COMPLIANT.




CIRCUIT DIAGRAM
PAD: ON, REVERSE: OFF, GROUND: LIFT



SWITCHES FUNCTION

CUSTOMER DRAWING

					THIS DRAWING DESCRIBES A DESIGN CONSIDERED PROPRIETARY IN NATURE, DEVELOPED AND MANUFACTURED BY SWITCHCRAFT INC. AND IS RELEASED ON A CONFIDENTIAL BASIS FOR IDENTIFICATION PURPOSES ONLY.				
					SIZE *	WIDTH *	MULT *	LBS/M *	TEMPER *
					FINISH *			MATERIAL *	
					SPEC No. *			SPEC No. *	
					FIRST USED ON *		SCALE		
0A	PRELIMINARY	6/20/17	NS	SRC	DATE DRAWN	BY	CHKD	APVD	
REV	ECO NUMBER	DATE	BY	APVD	6/20/17	NS	NS	SRC	
REVISIONS					DO NOT SCALE DRAWING				
					NAME			PART No.	
					303 AUDIOFIX			303	
					REV 0A				