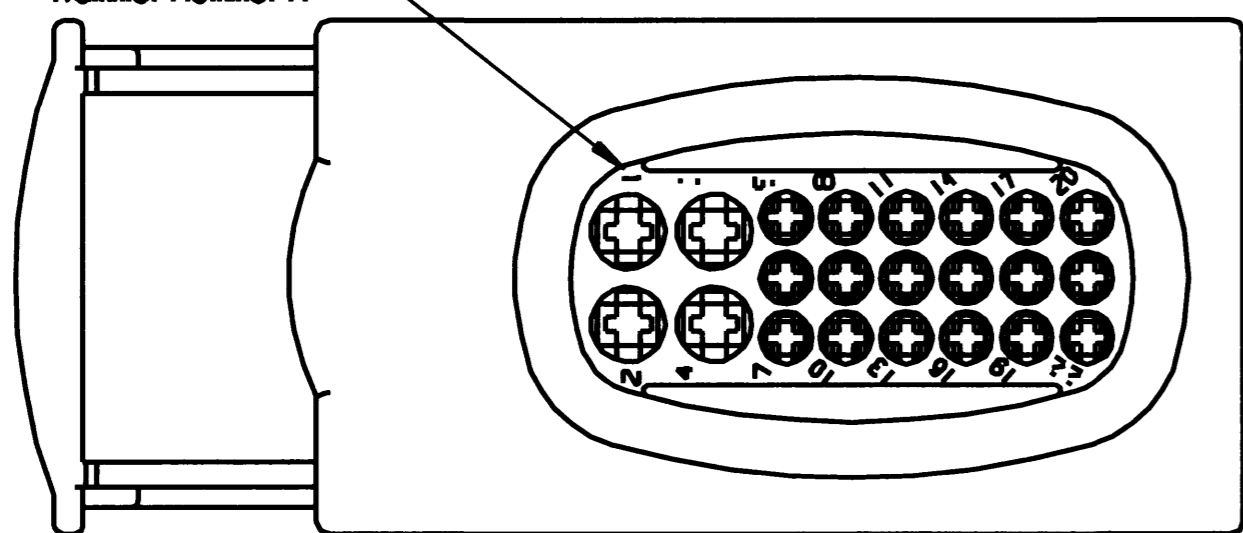
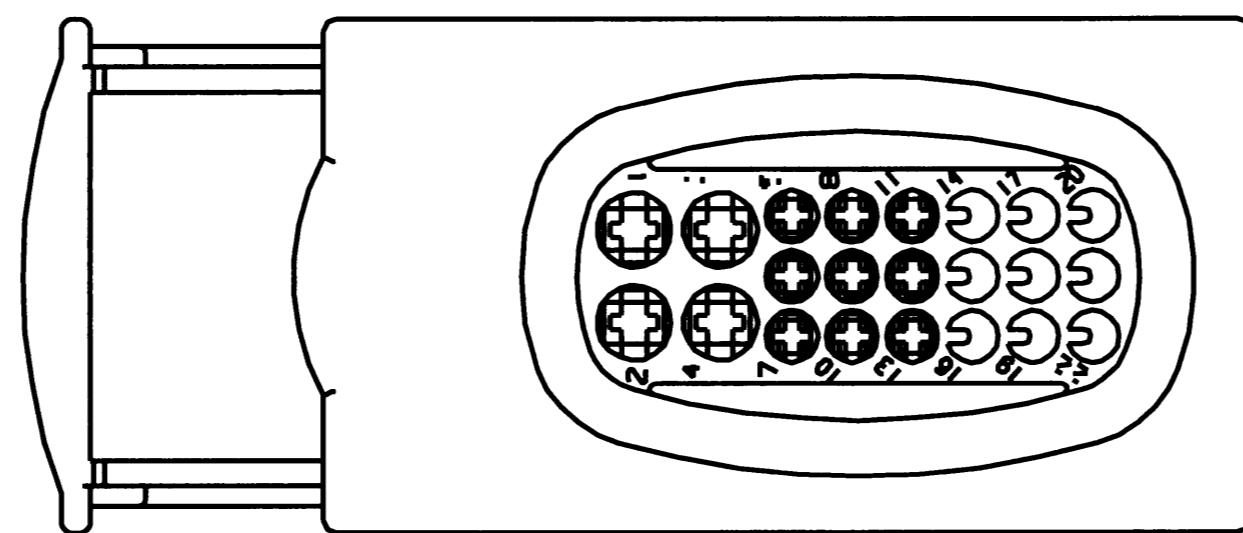


22-WAY FEMALE HOUSING
22-poliges Buchsengehäuse
OPEL-PART-NO. ZFW22-1, FCI-NO. 3 043 03 01

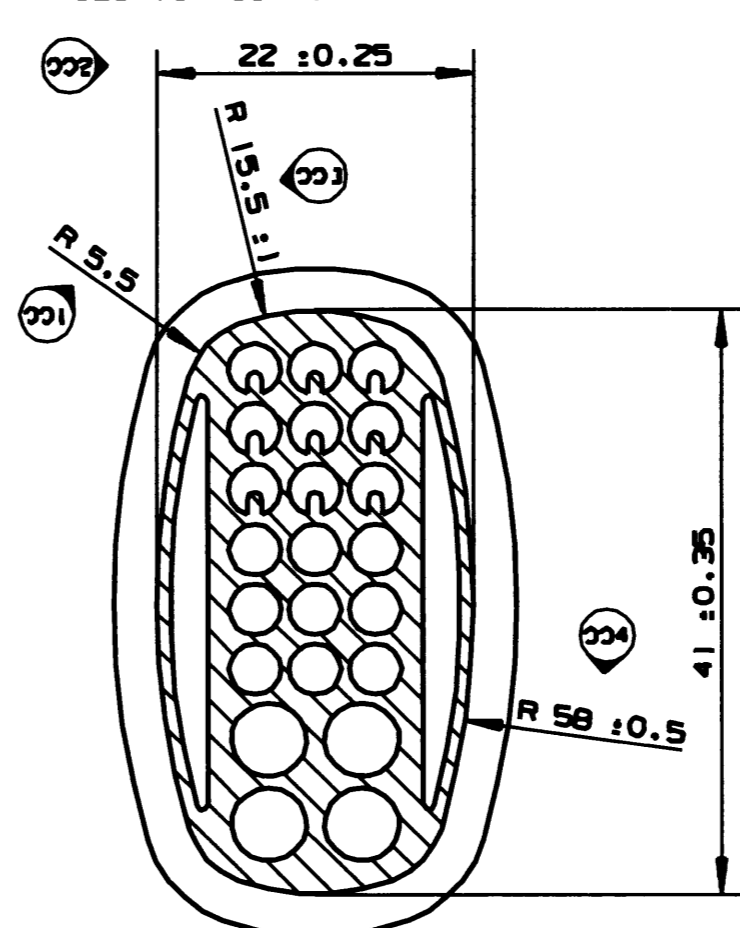
CAVITY-NUMBERS
Kammernummern



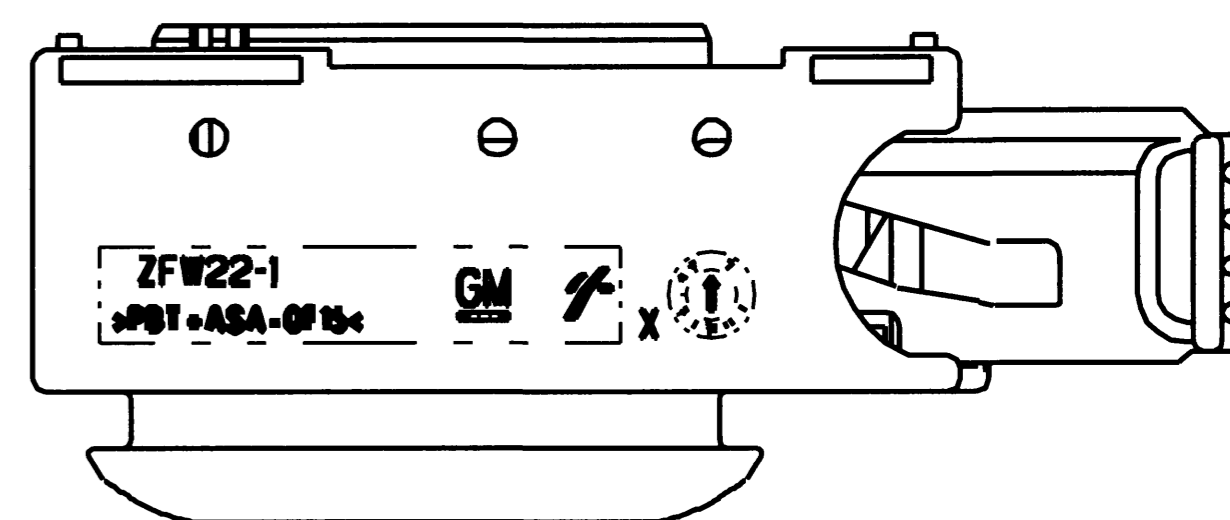
13-WAY FEMALE HOUSING:
CAVITY-NO. 14 TO 22 CLOSED ('BLIND CAVITIES')
13-poliges Buchsengehäuse:
Kammer-Nr. 14 bis 22 geschlossen ('Blindkammern')
OPEL-PART-NO. ZFW13-3, FCI-NO. 3 043 03 11



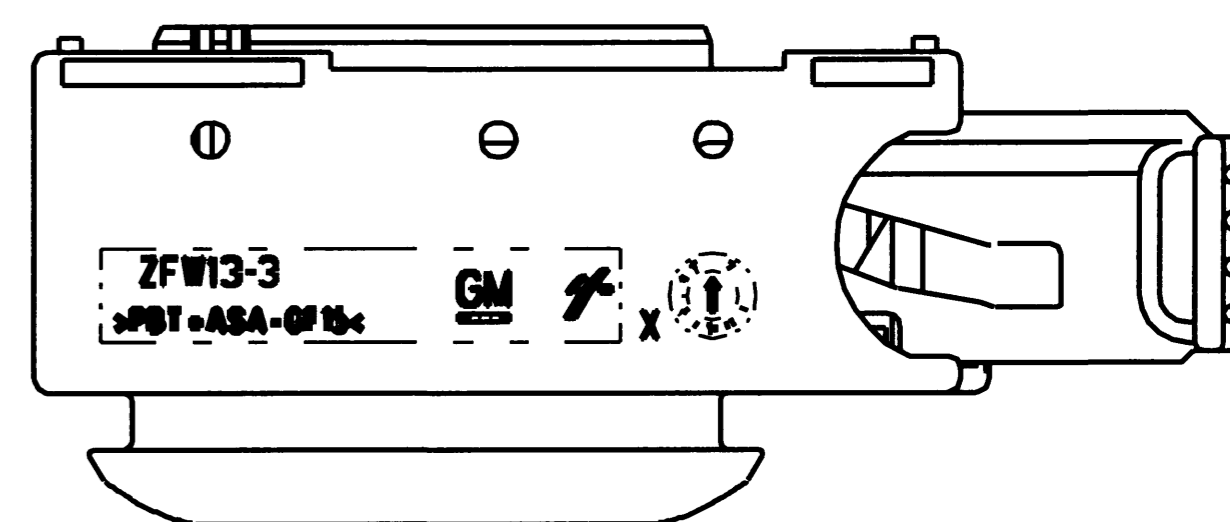
SECTION/SCHNITT A-A



22-WAY FEMALE HOUSING
22-poliges Buchsengehäuse
OPEL-PART-NO. ZFW22-1, FCI-NO. 3 043 03 01

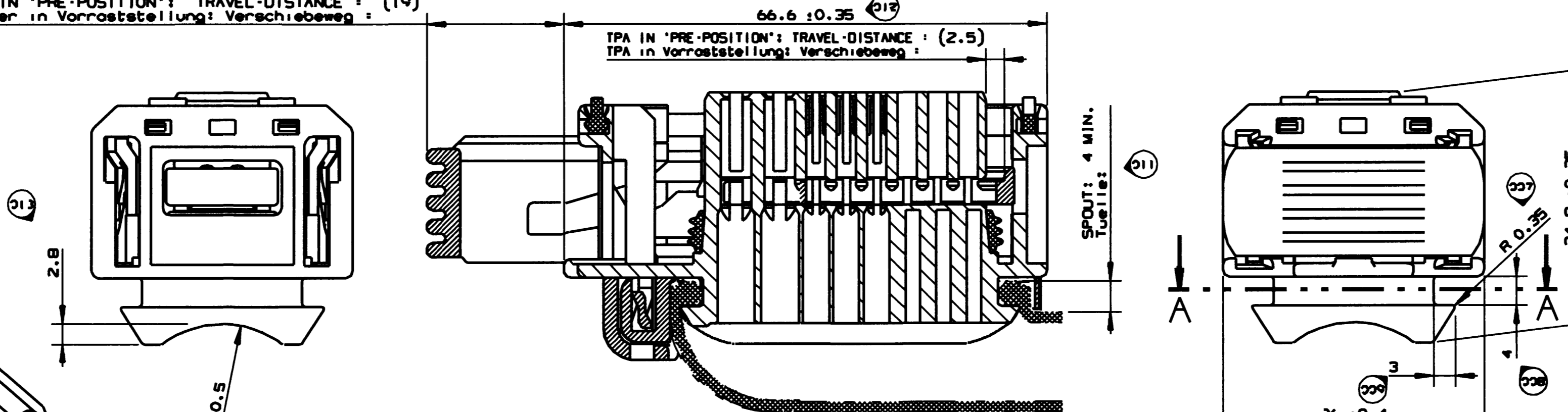


13-WAY FEMALE HOUSING:
CAVITY-NO. 14 TO 22 CLOSED ('BLIND CAVITIES')
13-poliges Buchsengehäuse:
Kammer-Nr. 14 bis 22 geschlossen ('Blindkammern')
OPEL-PART-NO. T.B.E., FCI-NO. 3 043 03 11



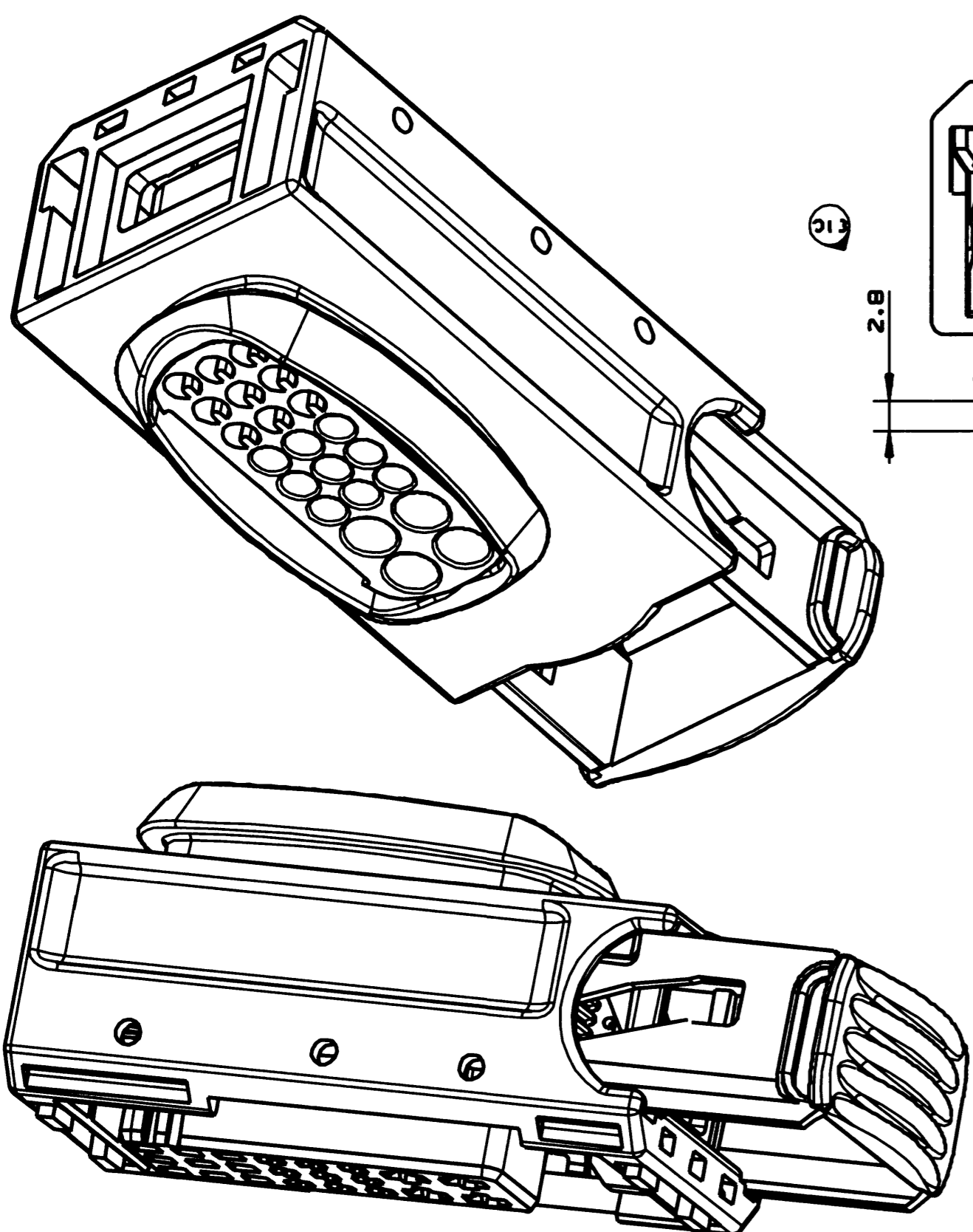
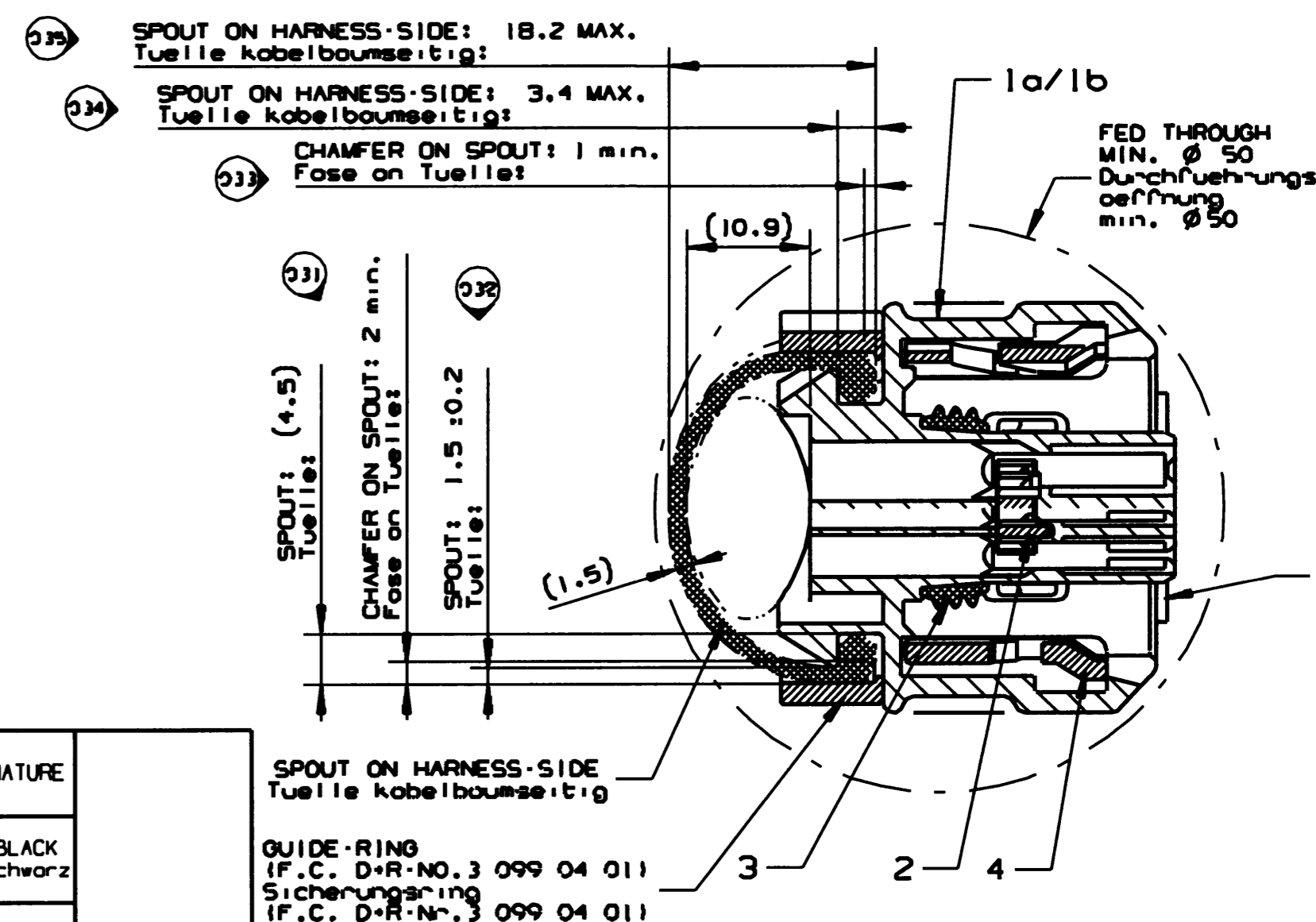
SLIDE IN 'PRE-POSITION': TRAVEL-DISTANCE: (19)
Schieber in Vorroststellung: Verschiebeweg: (19)

VIEW SHOWN WITH MOUNTED SPOUT (ON HARNESS-SIDE)
AND GUIDE-RING (OPEL-PART-NO. ZUH-199, FCI-NO. 3 099 04 01)
Ansicht dargestellt mit montierter Tülle (Kabelbaumseitig)
und Sicherungsring (OPEL-Teil-Nr. ZUH-199, FCI-Nr. 3 099 04 01)

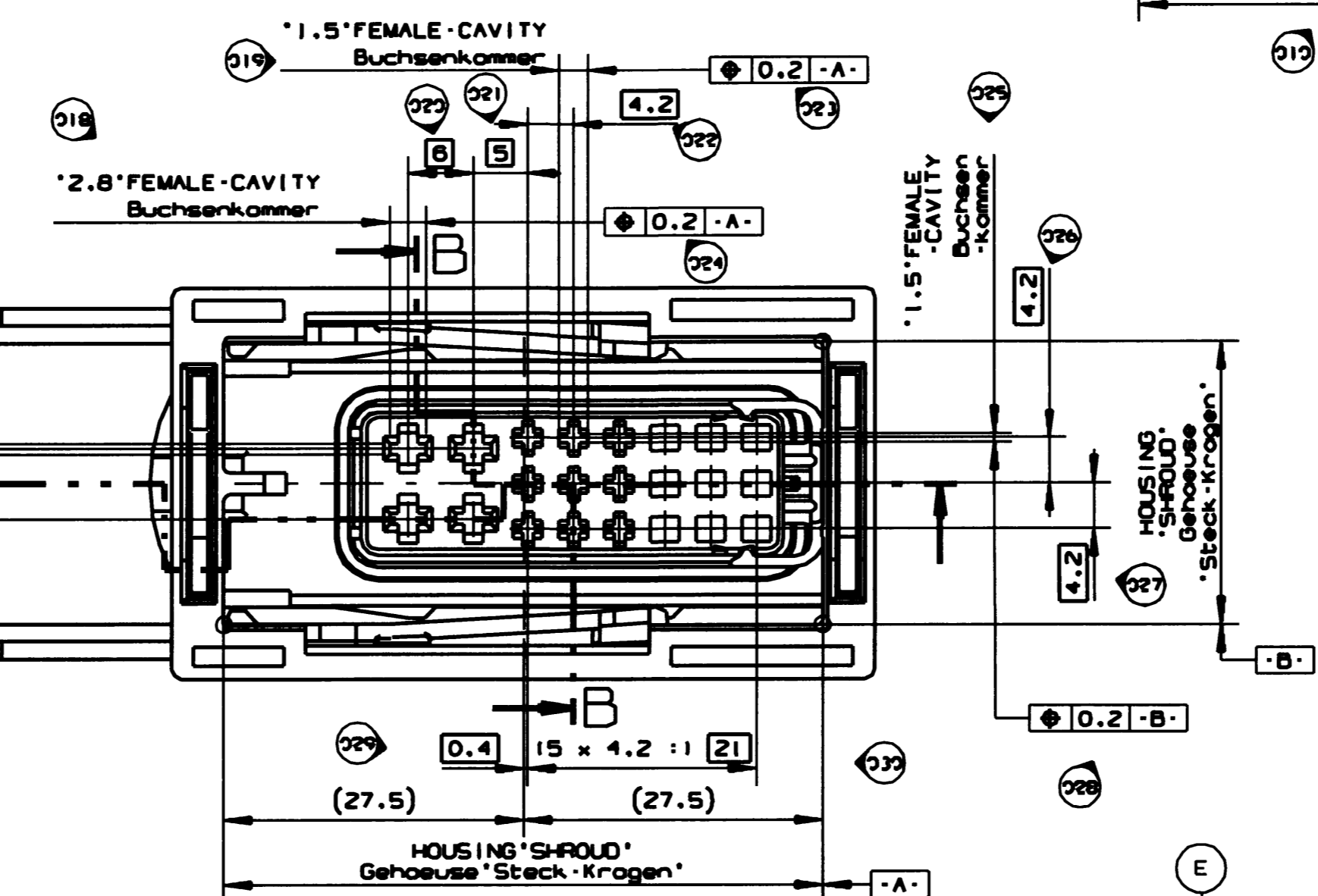


SECTION/SCHNITT B-B

VIEW SHOWN WITH MOUNTED SPOUT (ON HARNESS-SIDE)
AND GUIDE-RING (OPEL-PART-NO. ZUH-199, FCI-NO. 3 099 04 01)
Ansicht dargestellt mit montierter Tülle (Kabelbaumseitig)
und Sicherungsring (OPEL-Teil-Nr. ZUH-199, FCI-Nr. 3 099 04 01)



DESCRIPTION	FCI-PART-NO.	TRAVEL-DISTANCE	MATERIAL / SURFACE
HPCS 2.8 MM FEMALE TERM. WITH Ag-SURFACE	FCI-PART-NO. 6 001 33 42	>1.00 - 2.50	CONTACT BODY: Grundfedern: Cu Fe 2 P F49 / Ag
	FCI-PART-NO. 6 001 33 32	0.50 - 1.00	LOCKING SPRING: Ueberfeder: X10 CrNi 18 B / BLANK
	FCI-PART-NO. 6 001 33 12	0.22 - 0.35	
HPCS 2.8 MM FEMALE TERM. WITH Sn-SURFACE	FCI-PART-NO. 6 001 30 41	>1.00 - 2.50	CONTACT BODY: Grundfedern: Cu Fe 2 P F49 / Sn
	FCI-PART-NO. 6 001 30 31	0.50 - 1.00	LOCKING SPRING: Ueberfeder: X10 CrNi 18 B / BLANK
	FCI-PART-NO. 6 001 30 11	0.22 - 0.35	
SINGLE-WIRE SEAL FOR HPCS 2.8 MM USING 'FLR'-CABLE ACC. DIN 72551-6	FCI-PART-NO. 6 099 40 34	2.50	SILICON / YELLOW
	FCI-PART-NO. 6 099 40 23	1.50	SILICON / RED
	FCI-PART-NO. 6 099 40 15	0.22 - 1.00	SILICON / BLUE
DCS2 1.5 MM FEMALE TERM.	FCI-PART-NO. 6 000 06 31	0.50 - 1.00	CONTACT BODY: Grundfedern: Cu Fe 2 P F49 / Sn
	FCI-PART-NO. 6 000 06 11	0.22 - 0.35	LOCKING SPRING: Ueberfeder: X10 CrNi 18 B / BLANK
SINGLE-WIRE SEAL FOR DCS2 1.5 MM USING 'FLR'-CABLE ACC. DIN 72551-6	FCI-PART-NO. 6 099 39 28	0.50 - 1.00	SILICON / GREY
	FCI-PART-NO. 6 099 39 13	0.35	SILICON / RED
DESCRIPTION	WIRE SIZE Drahtgrößenbereich (mm²)		COLOUR / FARBE



ITEM POSITION	NAME	MATERIAL	CUSTOMER MATERIAL SPEC.	COLOUR	COMPONENT FRAME
2	2	5	TPV 169; 51* Shore A	GM 0K003521	NATURE
			Buffer Gumipuffer		
1	1	4	PBT-GF30	GM 0K006615	BLACK schwarz
			SLIDER Schieber		
1	1	3	SILICON		RED rot
			SEAL Dichtung		
1	1	2	PBT-GF10	GM 0K006612	VIOLET violett
			TPA Sek.verriegelung		
1	1	1b	PBT+ASA-GF15	GM 0K006612	BLACK schwarz
			13-WAY FEMALE HOUS. 13-pol. Buchsengeh.		
1	1	1a	PBT+ASA-GF15	GM 0K006612	BLACK schwarz
			22-WAY FEMALE HOUS. 22-pol. Buchsengeh.		
24 414 B57	ZFW13-3	3 043 03 11	D		
24 414 B42	ZFW22-1	3 043 03 01	D		

DATE	REVISION	DESCRIPTION	APPROVED
285/13	30.08.2013	E	customer material spec. added
			huffer material was TPE
			locking spring mat. was X12 Cr Ni 17 7

DATE	REVISION	DESCRIPTION	APPROVED
18.11.13	1	INITIAL DESIGN	
18.11.13	2	REVISION	
18.11.13	3	REVISION	
18.11.13	4	REVISION	
18.11.13	5	REVISION	
18.11.13	6	REVISION	
18.11.13	7	REVISION	
18.11.13	8	REVISION	
18.11.13	9	REVISION	
18.11.13	10	REVISION	
18.11.13	11	REVISION	
18.11.13	12	REVISION	
18.11.13	13	REVISION	
18.11.13	14	REVISION	
18.11.13	15	REVISION	
18.11.13	16	REVISION	
18.11.13	17	REVISION	
18.11.13	18	REVISION	
18.11.13	19	REVISION	
18.11.13	20	REVISION	
18.11.13	21	REVISION	
18.11.13	22	REVISION	
18.11.13	23	REVISION	
18.11.13	24	REVISION	
18.11.13	25	REVISION	
18.11.13	26	REVISION	
18.11.13	27	REVISION	
18.11.13	28	REVISION	
18.11.13	29	REVISION	
18.11.13	30	REVISION	