

RED INDICATES ORIGINAL

DATA CONTAINED IN THIS DOCUMENT IS PROPRIETARY TO TROMPETER ELECTRONICS INC. AND SHALL NOT BE DISCLOSED, COPIED OR USED FOR PROCUREMENT OR MANUFACTURE WITHOUT EXPRESS WRITTEN PERMISSION.

| REV | | EO | DESCRIPTION | OWN | APPROVED | DATE |
|-----|--|----|--------------------|-----|----------|------|
| A | | | PRODUCTION RELEASE | DKC | | |

305-1203 SH

| DASH NO | CONNECTOR TYPE | MATERIAL | ASSEMBLY PER | FIG |
|---------|----------------|-------------|--------------|-----|
| -1 | PL75 | 310-0002-11 | TAI-129 | 1A |
| -2 | CJ70 | 3-0043-11 | | 2A |
| -3 | PL375 | 315-0011-11 | | 1B |
| -4 | CJ370 | 3-0066-11 | | 2B |
| -5 | PL74 | 310-0025-11 | | 3A |
| -6 | CJ70TL | 3-0217-11 | | 4A |
| -7 | PL75FL | 310-0006-11 | | 3B |
| -8 | CJ70FL | 3-0101-11 | | 4B |
| -9 | PL73 | 310-0038-11 | | 5 |

FIG 1

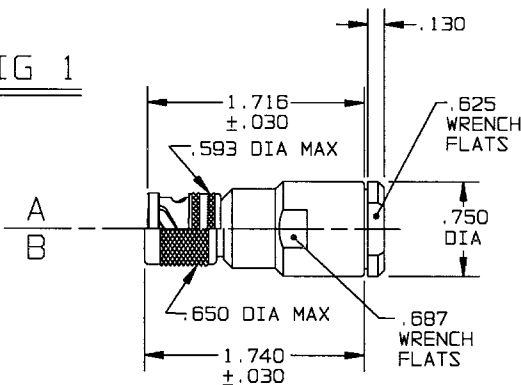


FIG 2

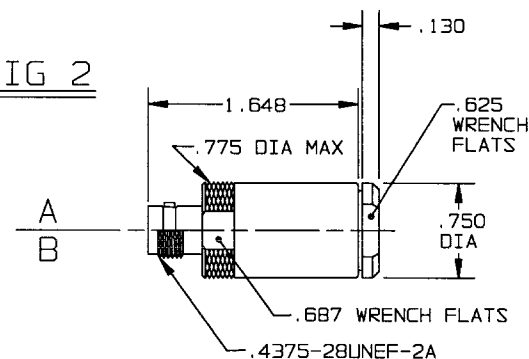


FIG 3

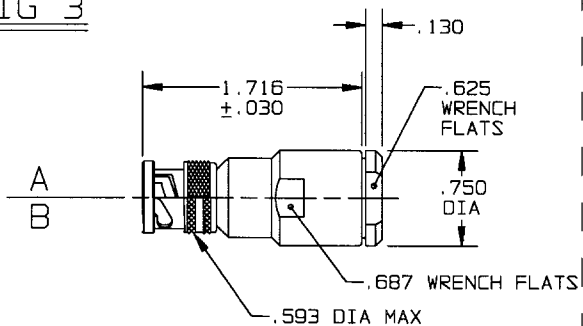


FIG 4

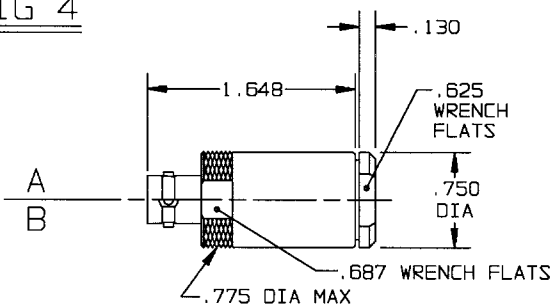
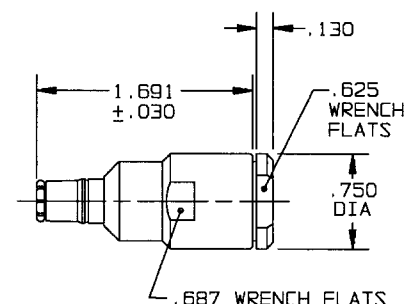


FIG 5



△ REPLACE CLAMP NUT 8-1539-11 WITH CLAMP NUT 8-1580-13

3. CONCENTRIC TWIAX / TRIAX, 2-LUG, 3-LUG, 4-LUG & THREADED CABLE PLUG / RECEPTACLE & PUSH-ON CABLE PLUG FOR TIMES CABLE NO. AA-7621

2. FINISH: TFS-1A (NICKEL)

1. ALL DIM ARE IN INCHES

| QTY | DESCRIPTION | | PART NUMBER | ITEM | |
|---|-------------|--|---------------------------------------|--------------|-------|
| TOL UNLESS SPECIFIED | | TROMPETER ELECTRONICS, INC. | "70" SERIES LARGE BODY- AA-7621 | | |
| .XX ± .XXX ± .005 .XXXX ± ANGLES ± | | | CODE IDENT | DRAWING NO. | REV |
| DWN | DKC | 7-29-98 | 14949 | 305-1203 | A |
| CHK | WM | 7-30-98 | | | |
| ENGR | | | | | |
| APPR | | 7-30-98 | SCALE — | DATE 7/29/98 | SHEET |

NEXT ASSY