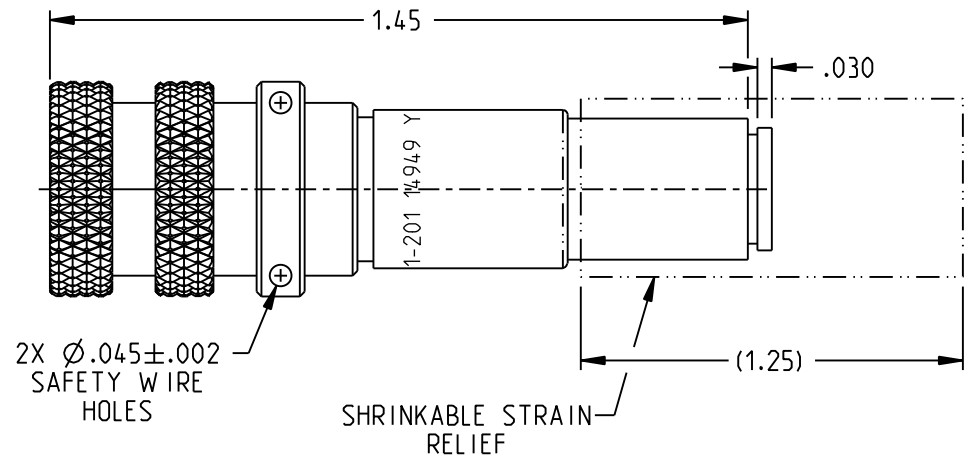
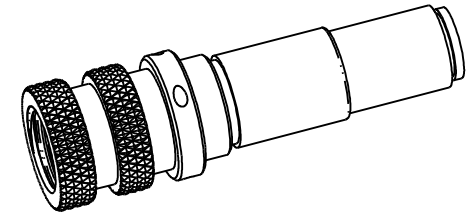
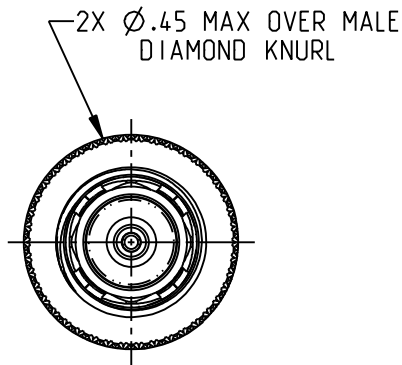


TABLE 1			
BASE MODEL NUMBER	INTERMEDIATE CONTACT	CENTER CONTACT	INTERFACE SPEC
305-1535-1	PIN	SOCKET	MIL-PRF-49142/16
305-1535-2	SOCKET	PIN	

TABLE 2			
CABLE GROUP	CABLES ACCOMMODATED	ASSEMBLE PER	
-201	M17/176-00002	TAI-162	
-202	TWC-78-1, TROMPETER		
-203	TWC-124-1A, TROMPETER		
-204	10602, RAYCHEM		
-205	TWAC-78-1F2, TROMPETER		
-206	7826D0130, RAYCHEM		
-208	202-3927, MICRODOT		
-209	202-3942, MICRODOT		
-212	2524E0114, RAYCHEM		
-217	GC875TM24H, GRUMMAN		
-218	EPD221888, RAYCHEM		
-219	2526D1114, RAYCHEM		
-220	GC875RR1, GRUMMAN		
-221	10614, RAYCHEM		
-222	10613, RAYCHEM		
-223	HMS2-1149, HUGHES		
-303	7528A5314, RAYCHEM		TAI-190



305-1535-1-201 SHOWN

NOTES: UNLESS OTHERWISE SPECIFIED.

1. MATERIAL & FINISH:

1.1 BODY & CRIMP BUSHING: NICKEL PLATED BRASS

1.2 INSULATOR & DIELECTRIC: PTFE (TEFLON)

1.3 INTERMEDIATE CONTACT:

1.3.1 PIN: GOLD PLATED BRASS

1.3.2 SOCKET: GOLD PLATED BERYLLIUM COPPER

1.4 CENTER CONTACT: GOLD PLATED BERYLLIUM COPPER

1.5 SEALING SLEEVE: POLYOLEFIN

2. SEALING SLEEVE, CRIMP BUSHING AND CONTACT SUB-ASSEMBLY SUPPLIED LOOSE.

3. WHEN TESTED PER ASTM E595:

3.1 TOTAL MASS LOSS (TML): LESS THAN 1.0%

3.2 COLLECTED VOLATILE CONDENSED MATERIALS (CVCM): LESS THAN 0.10%

4. EXAMPLE OF COMPLETE MODEL NO.

305-1535-X-YYY

— CABLE GROUP (PER TABLE 2)

— CONTACT TYPE (INTERMEDIATE PER TABLE 1)

— BASE MODEL NO (PER TABLE 1)

<p>This PROPRIETARY Document is property of Cinch Connectivity Solutions. It is confidential in nature, non-transferable, and issued with the clear understanding that it is not traced or copied without permission and is returnable upon demand.</p> <p>INTERPRET DRAWING IN ACCORDANCE WITH ASME Y14.5-2009.</p>	<p>3RD ANGLE PROJECTION</p>	<h2>TROMPETER</h2>	
	<p>RoHS2 <input checked="" type="checkbox"/></p> <p>2011/65/EU</p> <p>UNLESS OTHERWISE SPECIFIED UNITS: INCH</p> <p>.XX ±.02</p> <p>.XXX ±.010</p> <p>ANGLES ±2°</p>	<p>Title: TRL SERIES CABLE PLUG, TOOL CRIMP, VACUUM READY</p> <p>Model No. 305-1535-X-YYY</p>	<p>Size A</p>