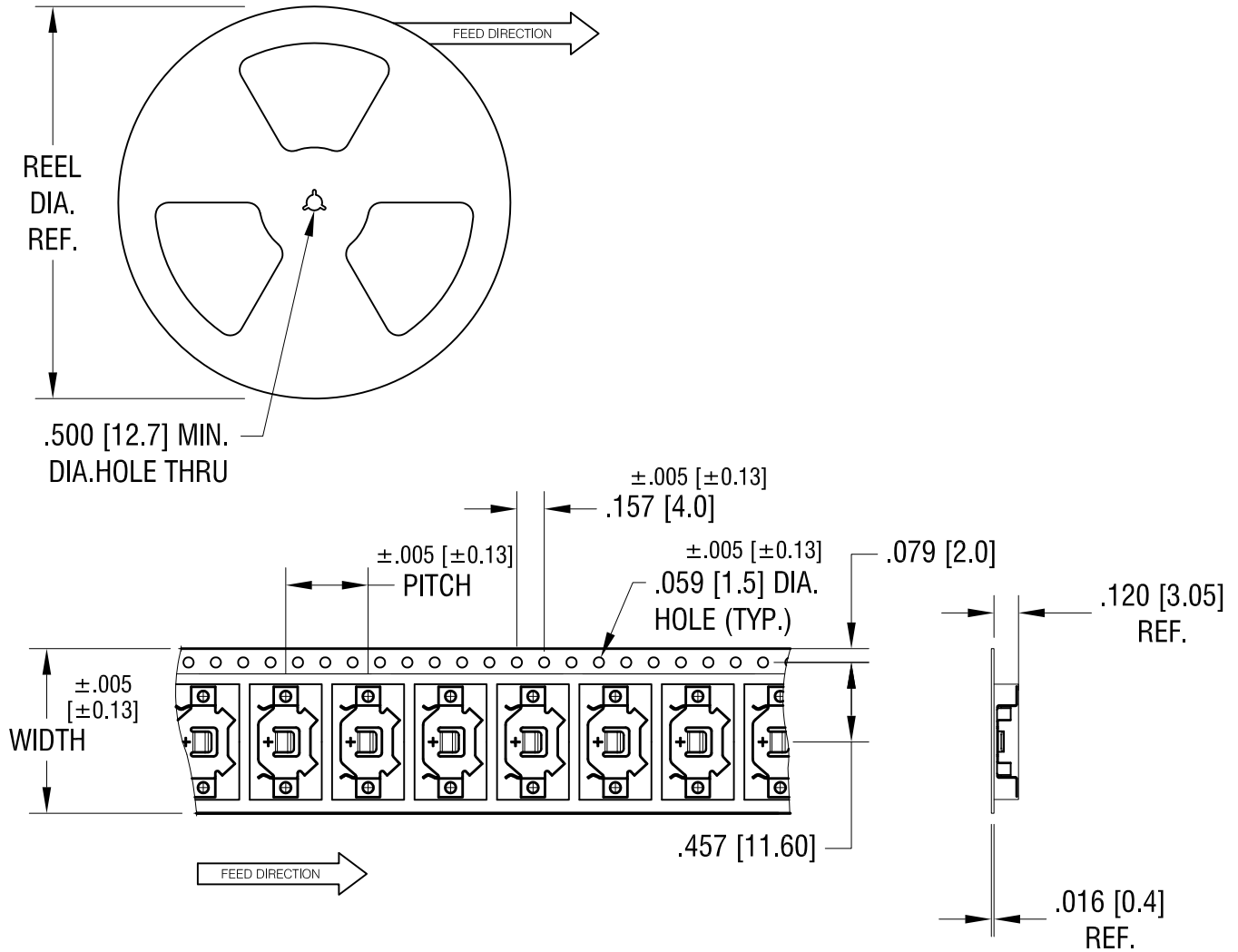


THIS DOCUMENT IS THE PROPERTY OF
KEYSTONE ELECTRONICS CORP. AND
SHALL NOT BE REPRODUCED, DISTRIBUTED
OR USED AS A BASIS FOR MANUFACTURE
WITHOUT PRIOR WRITTEN PERMISSION
FROM KEYSTONE ELECTRONICS CORP.



NOTES:

TAPE AND REEL SPECIFICATIONS:

1. TAPE:

MAT'L - ALL CONDUCTIVE POLYSTYRENE CARRIER
ANSI/EIA-481 STANDARD
.945 [24.0] WIDE; .473 [12.00] PITCH

2. REEL:

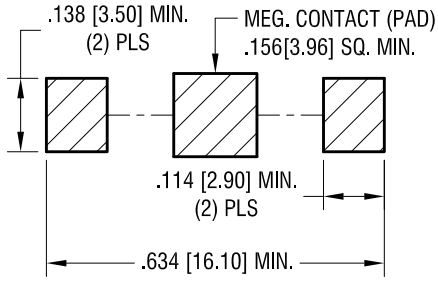
13.0 [330.2] DIA. 1500 PIECES OF
PART NO. 3050 PER REEL.

KEYSTONE ELECTRONICS CORP.			
www.keyelco.com • ASTORIA, N.Y. 11105-2017 • Tel (718) 956-8900			
PART NAME		SM RETAINER ON TAPE	
MATERIAL		AS NOTED	
FINISH	AS NOTED	DRN BY	NT
		DATE	12.30.10
		APP'D	LN
		SCALE	X
TOLERANCES	INCH [MM]	CODE	DWG NO.
DECIMAL	± .015 [± 0.38]	C	3050TR
ANGULAR	± 1°		
UNLESS OTHERWISE SPECIFIED			

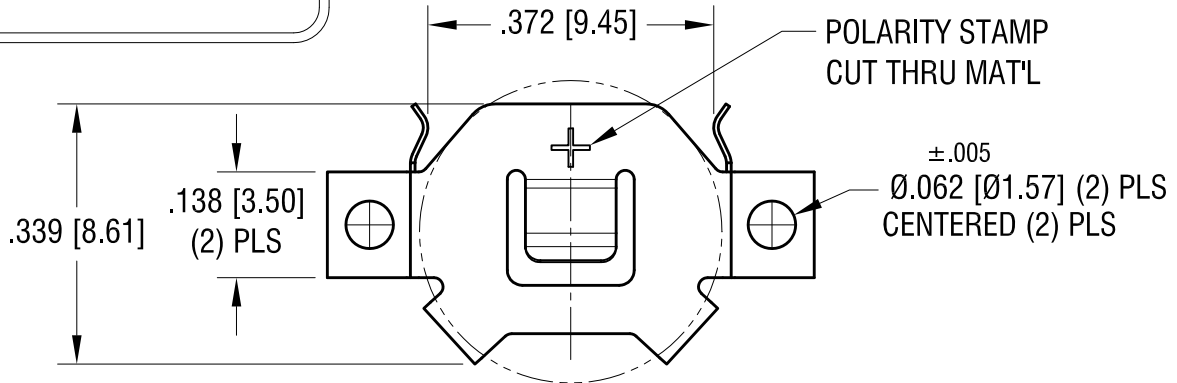
DATE	DESCRIPTION	REV.	
------	-------------	------	--

THIS DOCUMENT IS THE PROPERTY OF KEYSTONE ELECTRONICS CORP. AND SHALL NOT BE REPRODUCED, DISTRIBUTED OR USED AS A BASIS FOR MANUFACTURE WITHOUT PRIOR WRITTEN PERMISSION FROM KEYSTONE ELECTRONICS CORP.

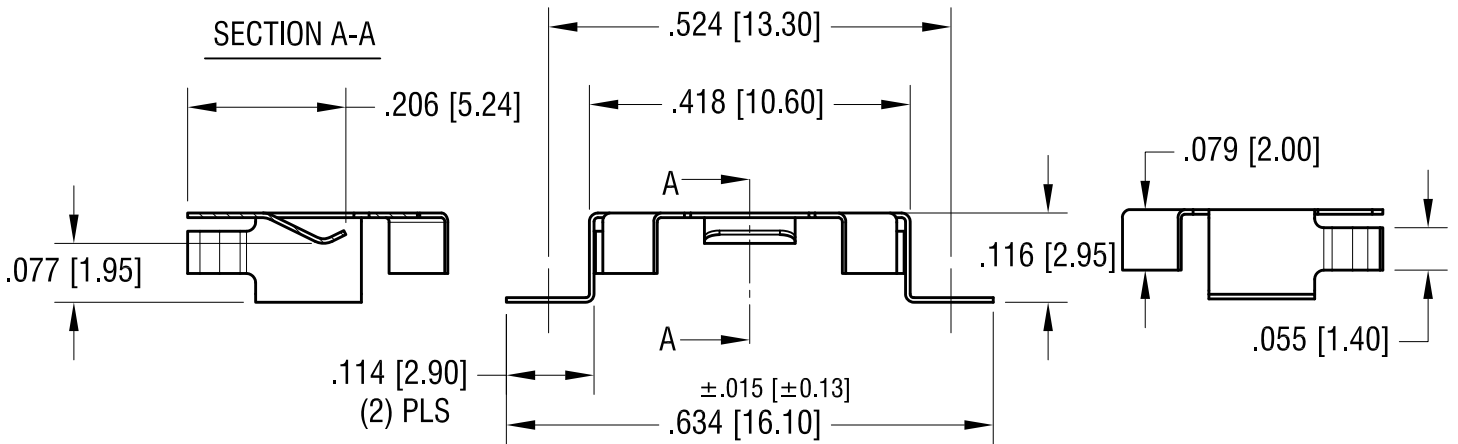
MOUNTING PAD LAYOUT



ACTUAL SIZE



SECTION A-A



KEYSTONE ELECTRONICS CORP.

www.keyelco.com • ASTORIA, N.Y. 11105-2017 • Tel (718) 956-8900

PART NAME		10mm SM COIN CELL CLIP	
MATERIAL			
.006 [0.15] TH'K PHOSPHOR BRONZE			
FINISH		DRN BY	DATE
MATTE TIN PLATE		NT	9.17.10
		APP'D	SCALE
		LN	4X
TOLERANCES	INCH [MM]	CODE	DWG NO.
DECIMAL	±.010 [±0.25]	C	3050
ANGULAR	± 1°		
UNLESS OTHERWISE SPECIFIED			

12.27.16	CHANGE AS PER ECN 16-115	A
DATE	DESCRIPTION	REV.