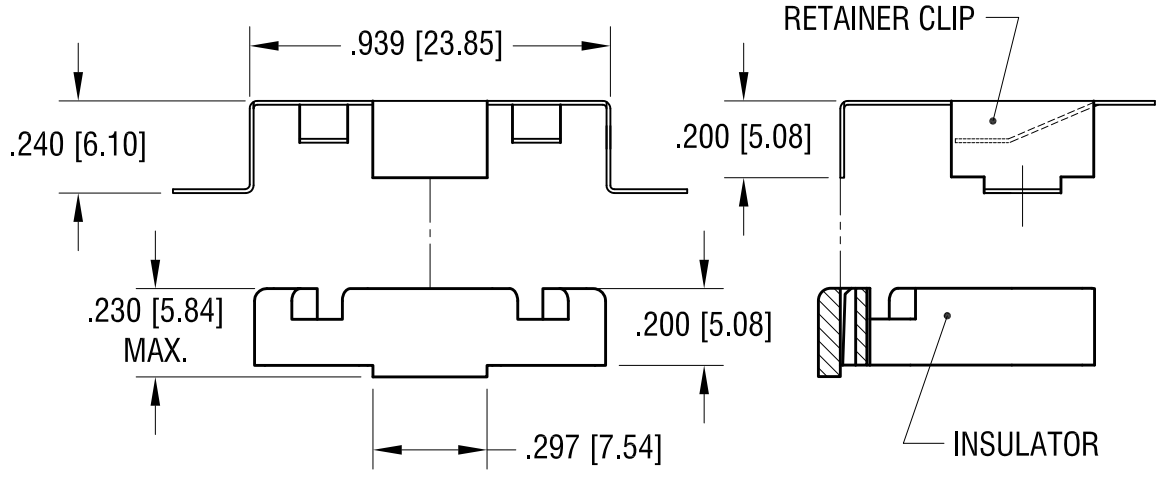
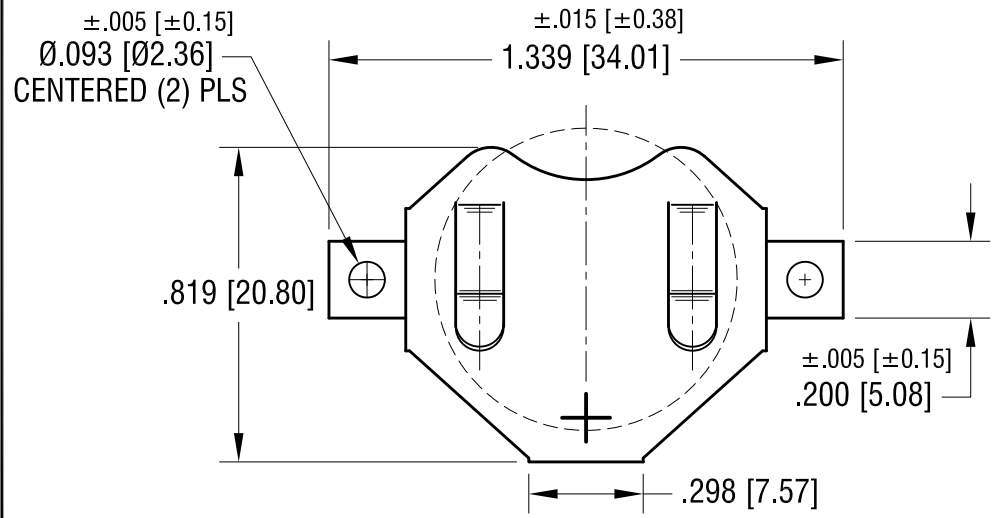
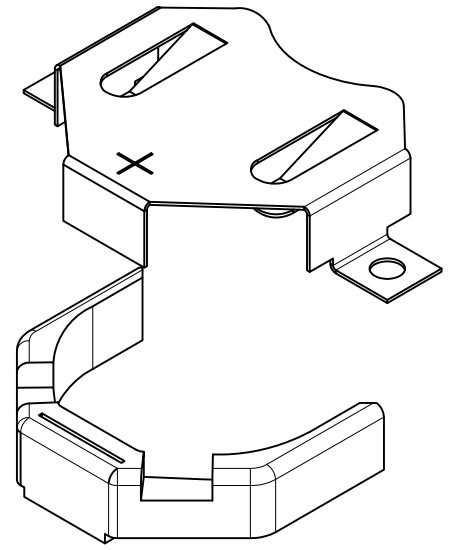
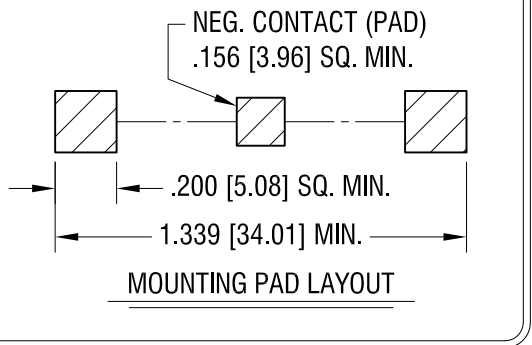


THIS DOCUMENT IS THE PROPERTY OF KEYSTONE ELECTRONICS CORP. AND SHALL NOT BE REPRODUCED, DISTRIBUTED OR USED AS A BASIS FOR MANUFACTURE WITHOUT PRIOR WRITTEN PERMISSION FROM KEYSTONE ELECTRONICS CORP.



- NOTE:
1. CLIP MAT'L: .010 TH'K FULL HARD PHOSPHOR BRONZE
FINISH: MATTE TIN PLATE
 2. INSULATOR MAT'L: HIGH TEMPERATURE NYLON, UL 94V-0
COLOR: WHITE
 3. PARTS SUPPLIED UNASSEMBLED

KEYSTONE ELECTRONICS CORP.			
www.keyelco.com • ASTORIA, N.Y. 11105-2017 • Tel (718) 956-8900			
PART NAME SM COIN CELL CLIP FOR TWO 2020 OR 2025			
MATERIAL AS NOTED			
FINISH AS NOTED		DRN BY NT	DATE 10.15.10
		APP'D LN	SCALE 2X
TOLERANCES DECIMAL ANGULAR	INCH [MM] ±.010 [±0.25] ± 1°	CODE C	DWG NO. 3072-2
UNLESS OTHERWISE SPECIFIED			

DATE	DESCRIPTION	REV.